

SATA

German Engineering

CATALOGUE 2022

SPRAY GUNS

CUP SYSTEMS

BREATHING PROTECTION

FILTER TECHNOLOGY

ADDITIONAL PRODUCTS

MERCHANDISING ITEMS



Table of Contents

Spray Guns	3	Breathing Protection	90
SATAjet X 5500 PHASER	12	SATA air vision 5000	94
SATAjet X 5500	14	SATA vision 2000	98
SATAjet 5000 B	16	SATA air star C	100
SATAjet 3000 K	18	Accessories for SATA vision 2000/ SATA air star C	102
SATAjet 3000 K spray mix	20	SATA air star F	104
SATAjet 1000 B	22		
SATAjet 1000 B LIGNUM 2	26		
SATAjet 1000 K	28	Filter Technology	106
SATAjet 1000 H	32	SATA filter 584/564/544/524	108
SATAjet 100 B	34	SATA filter 564/524	111
SATAminijet 4400 B	36	SATA filter 484/474/444	112
SATAminijet 1000 K	40	SATA filter 464/434/ 424/414	113
SATAjet H	42	SATA filter 103 prep/101 prep/100 prep	114
SATA spray master RP	44	Accessories for SATA filter series	116
SATAjet 20 B	46		
SATAgraph 1	48	Additional products	118
SATAgraph 3	50	SATA mini set 2	122
SATAgraph 4	52	SATA paint set 10	124
Extensions for SATAjet 1000 B RP	54	SATA Paint Pressure Tanks 24 l / 48 l	126
Extensions for SATAjet 1000 K RP	55	SATA vario top spray	130
Material and air connection SATAjet 3000 K, 1000 K	56	Material fine pressure regulator	133
Material and air connection SATAminijet 1000 K	57	Grit blasting equipment / Blow Guns / Bodyshop equipment	134
Spray gun cases	58	Rustproofing equipment	136
Nozzle sets and spare parts of discontinued gun models	60	SATA clean RCS	140
SATAjet 5000 B PHASER	61	SATA multi clean 2	143
SATAjet 4000 B	63	SATA trueSun	144
SATAminijet 3000 B HVLP	64	SATA dry jet 2	146
SATAjet B / SATAjet GR	65	SATA hoses	148
SATA adam 2	66	Paint suits	150
Spare parts for SATA spray guns with gravity flow cup	68		
Accessories for spray guns	70	Merchandising items	152
Cleaning and Maintenance of Spray Guns	72	Merchandising items	153
Cup Systems	74		
SATA RPS Multi-Purpose Cup System	76		
Accessories for SATA RPS	80		
Gravity flow cup for spray guns	82		
RPS adapter for spray guns	84		
SATA agitator cup	86		
SATA BVD pressurized cup	88		

General Information

Technical Information

As most end-users use quick couplings, SATA spray guns are generally supplied with air inlet G 1/4" male thread without hose screws.

Terms of Delivery

All indicated prices are ex works. They exclude packaging, freight, shipment and insurance cost. The general terms and conditions of delivery and payment apply exclusively. They can be viewed at www.sata.com/LZB. We object to any other purchasing conditions.

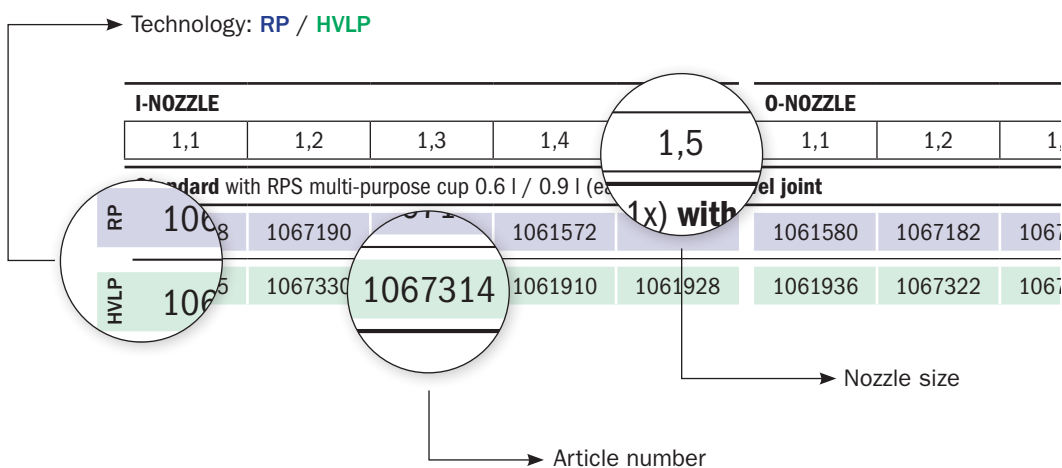
Prices

All prices in this list are recommended prices only and will be valid for the indicated period of time. All prices are quoted exclusive of VAT. We reserve the right to change prices at any time and without prior notification.

Small Order Policy

Small orders below a value agreed with the customer (list prices excl. VAT) will be invoiced at gross list prices without discount. In case that nothing has been stipulated with the customer, a minimum order value of 2.500.00 € applies.

Structure of the Price Sheets



Exchange/Return

We only accept return and exchange of products upon prior written authorisation by SATA. Goods for refund must be returned in unused, pristine condition and in their original packaging. Outdated, used or damaged parts will not be accepted for return. For the return of products which have been incorrectly ordered, or for other reasons which we cannot be held responsible for, a charge of 20 % of the net purchase price will be levied to cover inspection and administrative costs. A handling charge of minimum 60.00 € will apply in any case for each transaction.

Errors, technical modifications and printing errors reserved.

Product classification in condition groups (CG)

- (0) Special items
- (1) Spray guns, filtration technology, blow guns and underbody protection spray guns
- (2) Breathing Protection
- (3) Components, accessories and spare parts for articles belonging to group CG 1, e.g. nozzle sets, gravity flow cups, etc
- (4) Components, accessories and spare parts for articles belonging to groups CG 2 and CG 5
- (5) Pumps, pressure pots, rustproofing equipment, automatic spray guns, dry-blowing systems, cleaning devices and dispensing systems
- (6) Other devices, service
- (7) Industrial equipment

Spray Guns

Robust air cap made of chrome-plated brass with QC™ air cap thread for quick change with one turn only.
Air cap ring:
green = HVLV technology
blue = RP technology.

Fluid tip and paint needle made of corrosion-resistant stainless steel.

Material passage (red)

Air passage (blue)

Fluid tip seal ensuring minimal cleaning effort and safe colour change.

Low maintenance, self-adjusting sealings at air piston and paint needle.

Gun trigger with paint needle guard ensuring increased life time of the paint needle packing.

Option: Digital pressure display for exact pressure adjustment, perfect colour match and reproducibility.

CCS™ – Color Code System.
For the convenient identification of your spray gun.

QCC® – Quick Cup Connector.
Bayonet cup connection. Ensures quick and clean cup change as well as easy cleaning.

Gun suspension hook for convenient storage.

Control elements can be perfectly adjusted even wearing gloves. Improved material flow control.

Air micrometer for the adjustment of the atomisation air. Highest precision with digital pressure gauge (optional).

Spray fan control allowing fine adjustment with a half turn only.






Ergonomically shaped gun handle.


Easy to clean, corrosion-resistant anodised surface.






Air connection 1/4" male thread with swivel joint.




1+2=3 PREMIUM WARRANTY

Warranty: Talking quality is not enough – we guarantee it: for three years with registration!

Spray Guns	Product description	Product advantages
	<p>SATAjet X 5500 PHASER 12</p> <p>The PHASER spray gun was developed with its special design, special materials and a special concept for your very special projects. The unusually elegant design was developed in cooperation with Porsche Design Studio. Technically is the PHASER identical to the top model SATAjet X 5500. It has the same nozzle concept and all the other convincing features that make the SATAjet X 5500 an outstanding spray gun.</p>	<ul style="list-style-type: none"> • Exclusive spray gun – developed in cooperation with Porsche Design Studio • Unusual design – combined with high-quality materials and detailed solutions • Revolutionary, economical, quiet, consistent – technically identical to the top model SATAjet X 5500
	<p>SATAjet X 5500 14</p> <p>The SATAjet X 5500 is the latest SATA paint spray gun for highest demands. With the X nozzle system, painters are able to cope with all paint systems and application recommendations. In addition, the whispering nozzle noticeably reduces the noise level and gives bodyshoppers a softer, more pleasant painting feeling - all this with reduced material consumption.</p>	<ul style="list-style-type: none"> • Revolutionary: The atomization of the X nozzles sets new standards • Noticeably quieter: Whispering nozzle due to optimised flow geometry • Precise: Optimised material distribution for enhanced spraying uniformity and atomisation with both spray fan shapes • Low maintenance: No air distribution insert required • Consistant: Constant fan size across the entire nozzle spectrum with linear increases of the material flow rate • Efficient: Considerable material savings with the same application method
	<p>SATAjet 5000 B 16</p> <p>With the SATAjet 5000 B, painters can adjust the inlet pressure and the painting distance according to the paint used, the climatic conditions and their working style – and achieve perfect results in any situation. The ergonomic paint spray gun has been developed in cooperation with the Porsche Design Studio – to ensure perfect ergonomics. Robust and light – with ergonomic adjustment elements, the SATAjet 5000 B ensures comfortable working.</p>	<ul style="list-style-type: none"> • Flexible application: Optimized nozzle concept for various spray distances and inlet pressures • Ergonomic design: Pleasant and compact handle shape combined with easy-to-operate control elements • Easy cleaning: Perloxal™ surface for improved corrosive properties and even easier cleaning and maintenance • Fast assembly: The paint needle can be mounted easily, safely and quickly thanks to the positionally secure clip roller • Fine adjustment: Optimised round / flat spray fan control with a half turn
	<p>SATAjet 3000 K 18</p> <p>With this high-performance paint spray gun you can achieve high-quality paint jobs on large surfaces. The stretched spray fan with finest material atomization results in a perfect surface quality with homogeneous paint flow. The robustness, the low maintenance requirements and the ergonomic balance of the SATAjet 3000 K are ideal prerequisites for continuous use in industry and trade.</p>	<ul style="list-style-type: none"> • Processing of all paint systems with sprayable viscosity • All material passages are made of stainless steel and are therefore corrosion-resistant • Extremely robust spray gun model with axial round/flat spray control • Ergonomically balanced, easy handling of the control elements
	<p>SATAjet 3000 K spray mix 20</p> <p>The SATAjet 3000 K spray mix is a high-pressure spray gun with supporting air atomisation, ideally suited for the application of large quantities of highly viscous materials.</p>	<ul style="list-style-type: none"> • The SATAjet 3000 K spray mix can be used either as an airless or compressed air-assisted high-pressure spray gun due to the optionally switchable atomizing air. • The fan size can be adjusted with compressed air support via a round/wide fan regulation • High material application rate with low-overspray • Suitable for solvent or water-based coating systems • Wide range of nozzles with different spray fan sizes allow the perfect adaptation to the object

Spray Guns	Product description	Product advantages
	<p>SATAjet 1000 B 22</p> <p>The SATAjet 1000 B is the all-rounder among flow cup spray guns. Thanks to the wide range of nozzles and the various accessories, such as pressure and agitator cups as well as extensions, a wide variety of materials can be processed.</p>	<ul style="list-style-type: none"> • Allrounder: Thanks to a wide range of nozzles and diverse accessories, a wide variety of materials can be processed excellently • Simplified cleaning: The smooth surface of the spray gun body makes cleaning easier for the user • QC-Quick Change thread: Simple and fast air nozzle change with only 1.5 turns • Also for hard-to-reach areas: Thanks to the available extensions, the SATAjet 1000 B can handle hard-to-reach or narrow and deeper areas without any problem.
	<p>SATAjet 1000 B LIGNUM 2 26</p> <p>The SATAjet 1000 B LIGNUM 2 is a must for every carpenter. Due to its comprehensive range of available nozzle sizes and its versatile selection of accessories, such as pressurised and agitator cups, a host of many different spray media can be perfectly applied: from low-viscosity wood stains and clearcoats to glues and other thixotropic materials. With extensions available in various executions, even areas of difficult access can be easily coated.</p>	<ul style="list-style-type: none"> • Robust spray gun with anodised spray gun body, lightweight and optimised ergonomics • Standard version with swivel joint • Fully equipped with round/flat fan control and material flow control as well as air micrometer • Low cleaning and maintenance effort • Special air passages on the air cap horns prevent material accumulations caused by overspray • Large and smooth material passages for improved material flow - makes the paint job safe and minimises cleaning efforts
	<p>SATAjet 1000 K 28</p> <p>The compact and lightweight SATAjet 1000 K is the all-rounder among spray guns with material supply from pressure tanks or via double diaphragm pumps. Thanks to the wide range of nozzles, a wide variety of materials such as low-viscosity wood stains, clear lacquers, textured lacquers and glazes as well as adhesives and other high-viscosity materials can be excellently processed with this gun.</p>	<ul style="list-style-type: none"> • Can be used for processing a wide variety of materials – water or solvent-based • Comfortable, ergonomically well balanced control elements, such as material flow control, the thumb-adjustable round/flat spray control and integrated air micrometer • QC thread for easy and quick air nozzle change with only 1.5 turns • Special air guides on the horns of the air cap prevent deposits caused by rear mist • With extensions in various designs, even hard-to-reach areas can be coated perfectly
	<p>SATAjet 1000 H 32</p> <p>The SATAjet 1000 H RP is the all-round spray gun for craft and industry in the suction cup version.</p>	<ul style="list-style-type: none"> • With 1 litre aluminum suction cup • Suitable for processing solvent-based materials • QC thread for easy and quick air nozzle change with only 1.5 turns • Easy to clean and corrosion-resistant surface • Robust and very durable
	<p>SATAjet 100 B 34</p> <p>The SATAjet 100 B can be used for a wide range of applications due to its extreme flexibility in setting the atomization pressure. Due to the wide spray fan and fine atomisation, fillers and primers can be applied in a continuous flow despite the higher material viscosity. This saves valuable working time due to less grinding effort.</p>	<ul style="list-style-type: none"> • Fine atomisation even at low inlet pressure • Low overspray • Pressure adjustment from 0.5 – 2.0 bar is possible • Smoothly polished, ergonomically optimised gun body • QCC- cup connection • Self-adjusting sealings

Spray Guns	Product description	Product advantages
	<p>SATAminijet 4400 B 36</p> <p>The SATAminijet 4400 B is perfectly suited for small or difficult to access areas. The special SR nozzles are suitable for small repairs (spot repair) on vehicles. All modern paint systems can be applied with this spray gun.</p>	<ul style="list-style-type: none"> • Small and compact: Particularly suitable for smaller areas or hard to reach places • Special spot repair nozzle sets for minor damage repairs to vehicles • Low maintenance, self-adjusting air piston and paint needle packings
	<p>SATAminijet 1000 K 40</p> <p>The SATAminijet 1000 K series has been especially developed for the industrial coating of small to medium sized lots of small parts under series conditions. This includes, for example, the industrial series coating of small panels and housings, the application of release agents and interior design.</p>	<ul style="list-style-type: none"> • Ergonomic and compact spray gun for small surfaces or areas of difficult access • QC thread for a quick air nozzle change with only 2 turns • Sturdy, easy clean surface
	<p>SATAjet H 42</p> <p>This robust and easy-to-clean spray gun is ideal for top coats and can be used in both industry and trade.</p>	<ul style="list-style-type: none"> • Fine atomization – on large surfaces • High working speed • Continuous round/oval fan control • Integrated air micrometer • Material flow control
	<p>SATA spray master RP 44</p> <p>The SATA spray master RP combines trend-setting, mist reduced high pressure technology with the advantageous properties of a material pressure supported spray gun. With this unique combination, almost all paint systems of different viscosities up to thick-film glazes can be processed with excellent painting results.</p>	<ul style="list-style-type: none"> • Allround talent: With the pressurised cup and the wide horn nozzle set, practically any material can be perfectly processed in carpentry and painting. • Fine atomisation: the optimized internal nozzle pressure ensures perfect results • High efficiency: the transfer rates are significantly higher than the 65% required by the VOC legislation • Low air consumption - therefore also suitable for small compressors • With the nozzle size "SM" (approx. 1.3) this gun can be used for almost any spray material - only the pressure in the cup has to be adjusted according to the viscosity.
	<p>SATAjet 20 B 46</p> <p>The SATAjet 20 B has been designed for use in all areas of creative painting: For all kinds of airbrush applications including graphic design, automotive custom painting, model making, artwork and calligraphy - the results are simply outstanding.</p>	<ul style="list-style-type: none"> • Design spray gun with round spray nozzle • Ideal for right- and left-handed painters • Familiar handling due to spray-gun-like design • Material and air flow control • No tools required to change air connection - works well on horizontal as well as on vertical surfaces • Wide range of nozzle sizes for versatile use • Suitable for water and solvent-based paints

Spray Guns		Product description	Product advantages
	SATAgraph 1 48	<p>The airbrush guns of the SATAgraph series are particularly suitable for drawing fine dots as well as filigree lines and contours. The SATAgraph 1 is the entry-level model among the SATAgraphs.</p>	<ul style="list-style-type: none"> • With double action system for separate air and material control to achieve special effects • Versions with gravity flow cup or suction cup • Easy handling for fatigue-free work • Easy disassembly and assembly for cleaning and replacement of used nozzle sets
	SATAgraph 3 50	<p>The airbrush guns of the SATAgraph series are particularly suitable for drawing fine dots as well as filigree lines and contours. The SATAgraph 3 is the professional model among the SATA airbrush guns.</p>	<ul style="list-style-type: none"> • With double action system for separate air and material control to achieve special effects • Versions with gravity flow cup or suction cup • Easy handling for fatigue-free work • Easy disassembly and assembly for cleaning and replacement of used nozzle sets
	SATAgraph 4 52	<p>The airbrush guns of the SATAgraph series are particularly suitable for drawing fine dots as well as filigree lines and contours. The SATAgraph 4 is the universal model among the SATA airbrush guns.</p>	<ul style="list-style-type: none"> • Coupled air and material adjustment for safe spray control • Removable needle cap to allow drawing finest lines • Highest precision in various fields of application • Easy handling for fatigue-free work

The revolutionary nozzle system

State-of-the-art paint systems and the latest application recommendations open up new possibilities, but also pose new challenges for professional painters. The SATAjet X 5500 featuring the new X-nozzle system now defines a wholly new application standard for the future.

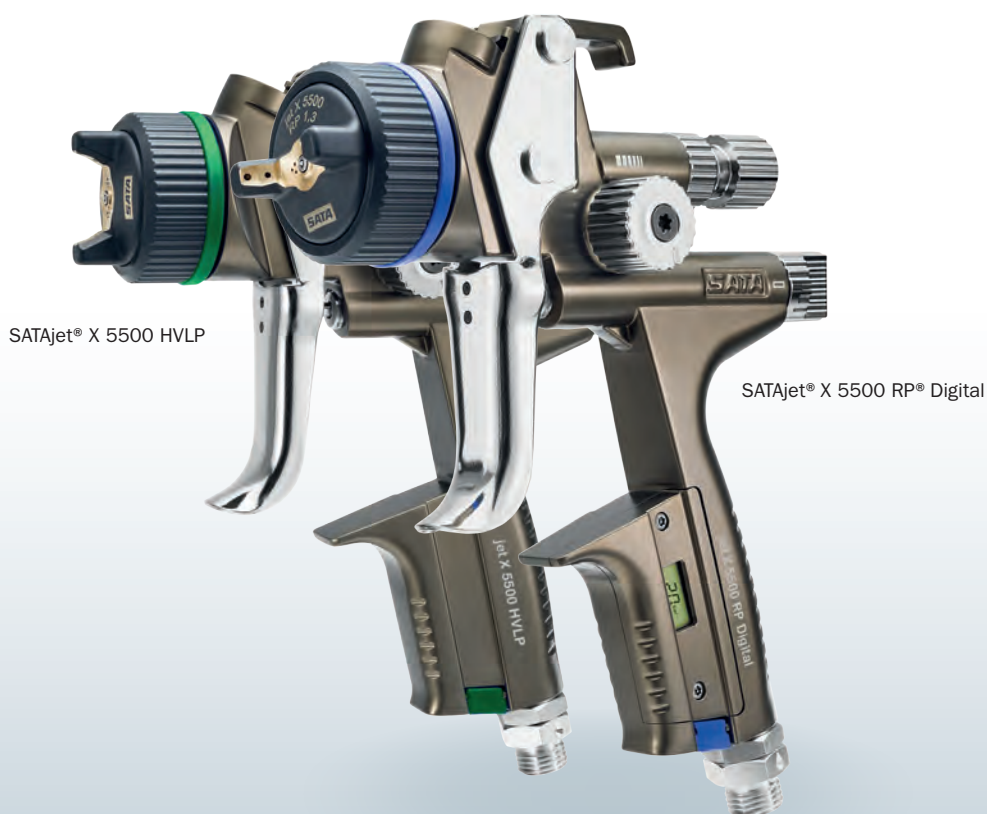
The concept of this nozzle system is easy and straightforward to understand: Both proven application technologies – HVLP and RP – remain available, but now each of them with the additional choice between "I" and "O"-nozzle sets. In line with the increasing nozzle sizes within each of the respective technology (HVLP / RP), the material flow rate increases too with constant increments – which means that the spray fan size and width remain unchanged across the entire nozzle spectrum. In essence, end-users can now rely on a transparent and consistent system which offers them clear and well-structured application options.

The **"I"-nozzles** produce a parallel spray fan pattern with a minimal dry zone and a drier centre which is ideal for painters preferring a **reduced application speed** and maximum application control during the painting process. The **film build per coat** in comparison to an "O"-nozzle of the same size is **slightly reduced**.

- Parallel spray fan with minimal dry zone
- Improved control during application
- Reduced film build per coat compared to the nozzle set currently in use or the "O"-nozzle

"O"-nozzles do have an oval-shaped spray fan pattern with a larger dry zone and a wet core to accommodate **increased application speed** at the expense of slightly less application control during the painting process. The **film build per coat** in comparison to an "I"-nozzle is **slightly higher**.

- Oval-shaped spray fan with larger dry zone
- Wet core for increased application speed
- Film build per coat slightly higher compared to the "I"-nozzle



PRODUCT BENEFITS

- Revolutionary: The X-nozzles are taking atomisation to a whole new level
- Noticeably quieter: Whispering nozzle™ due to optimised air flow geometry, reduced noise level in the relevant sound frequency ranges
- Individual: Matches any application requirement, such as specific characteristics of the paint system, climatic conditions and application method (application speed/ application control)
- Precise: Optimised material distribution for enhanced spraying uniformity and atomisation with both spray fan shapes
- Low maintenance: No air distribution insert required, thus also ensuring a much easier and faster cleaning process
- Consistent: Constant fan size across the entire nozzle spectrum (within each respective atomisation technology) with linear increases of the material flow rate
- Efficient: The optimised atomisation concept enables to realise considerable material savings using the same application method as before

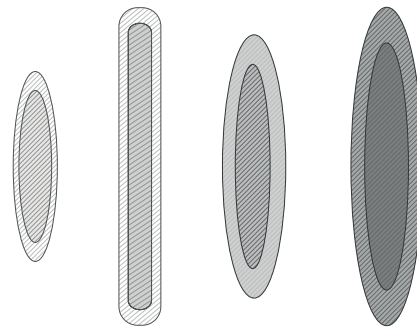
Select your favorite nozzle



www.sata.com/nozzlefinder

SPRAY FAN SHAPES

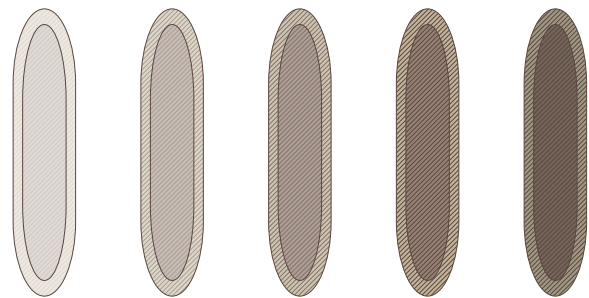
Examples of current fan shapes



1.1 1.2 W 1.3 1.4

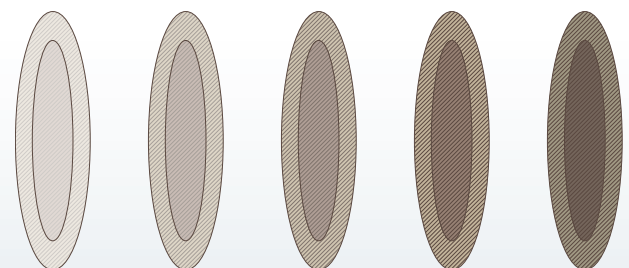
With SATAjet X 5500

Fan shape I-nozzle HVLP/RP



1.1 I 1.2 I 1.3 I 1.4 I 1.5 I

Fan shape O-nozzle HVLP/RP



1.1 O 1.2 O 1.3 O 1.4 O 1.5 O



SATAjet X 5500 PHASER

RP/HVLP



Technical Data	RP	HVLP
Recommended air inlet pressure	2,0 bar	2,0 bar
air inlet pressure field of application	0,5 - 2,4 bar	0,5 - 2,4 bar
Recommended spraying distance	17 - 21 cm	10 - 15 cm
Air consumption	290 NI/min	430 NI/min

I-nozzle

1,2	1,3	1,4
-----	-----	-----

Spray gun with RPS multi-purpose cup 0.6 l / 0.9 l (each 1x)

RP	1096066	1096074	-
HVLP	1096157	1096149	1096131

Nozzle set

RP	1096181	1096199	-
HVLP	1096272	1096264	1096256

O-nozzle

1,2	1,3	1,4
-----	-----	-----

Spray gun with RPS multi-purpose cup 0.6 l / 0.9 l (each 1x)

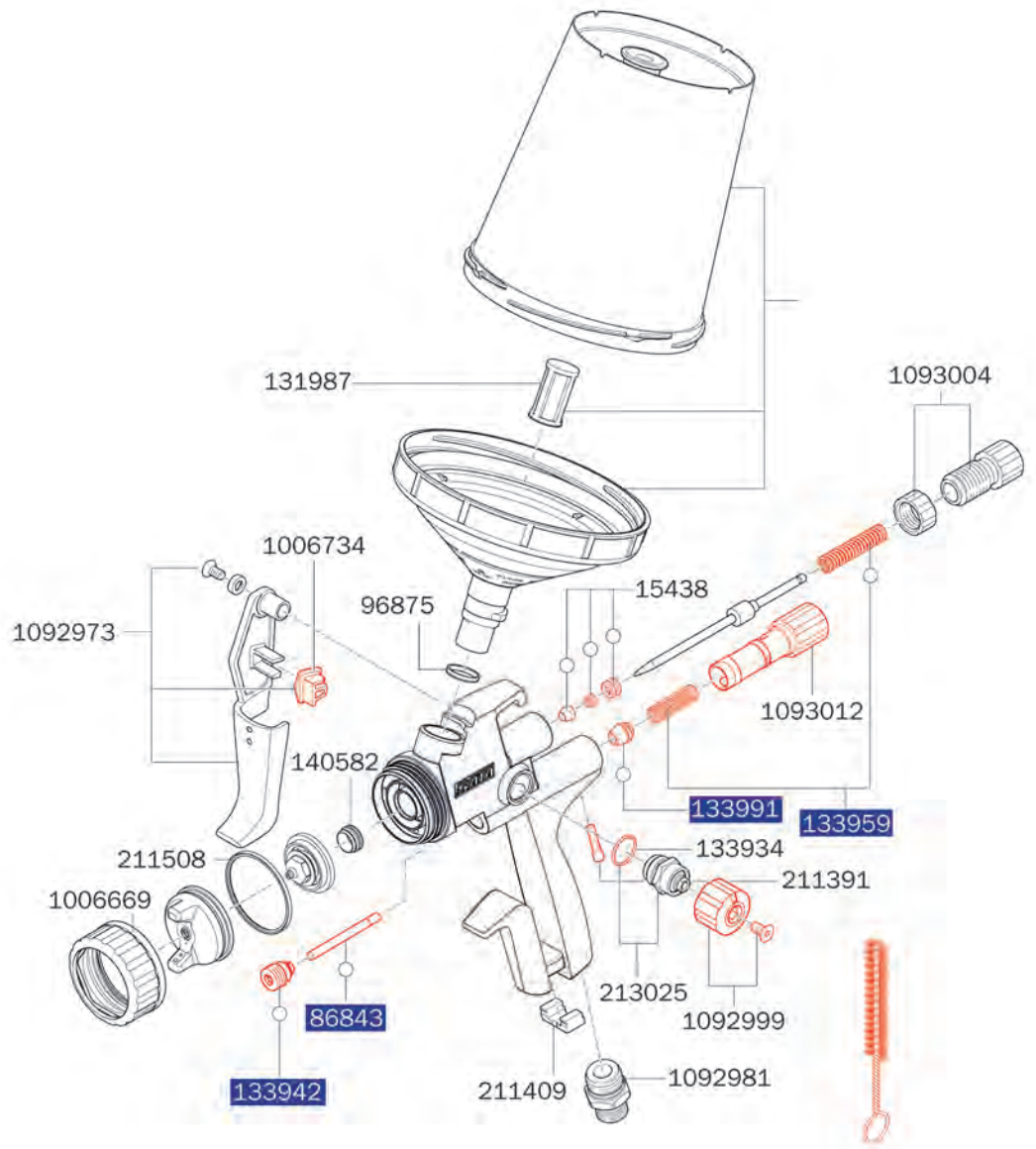
RP	1096090	1096082	-
HVLP	1096107	1096115	1096123

Nozzle set

RP	1096214	1096206	-
HVLP	1096222	1096230	1096248

Spare parts
SATAjet X 5500
PHASER

1006669	Kit consisting of coloured marking rings (blue, green, black, packing unit each 1 piece)
1006734	Trigger fixing clip
1092973	Trigger kit
1092981	Air connection piece 1/4" male thread
1092999	Control knob with screw (pack of 2 pieces)
1093004	Material flow control with counter nut
1093012	Air micrometer
1097379	Universal spanner (pack of 3 pieces)
131987	Spare plug-in sieve 200 µm, pastel green (packing unit 100 pieces)
133934	Sealing (packing unit 3 pieces) for spindle
133942	Seal retainer, cpl.
133959	Pressure spring (3 pieces) for paint needle and air piston
133991	Air piston head (packing unit 3 pieces)
140582	Sealing element (packing unit 5 pieces) for fluid tip
15438	Paint needle packing
211391	Locking screw (packing unit 3 pieces) for air micrometer
211409	CCS-Clips, green, blue, red, black (packing unit 4 pieces)
211508	Sealing ring (packing unit 5 pieces)
213025	Spindle, cpl., for round / flat spray control
86843	Air piston rod
96875	PVC insert for paint spray guns with QCC cup connection



Tool kit
1057323 Universal spanner, combi tool, cleaning brush, CCS clips, paint strainer



Repair kit
1093020 Repair kit
82552 Air piston service unit
136960 Sealing kit

SATAjet X 5500

RP/HVLP



Technical Data	RP	HVLP
Recommended air inlet pressure	2,0 bar	2,0 bar
air inlet pressure field of application	0,5 - 2,4 bar	0,5 - 2,4 bar
Recommended spraying distance	17 - 21 cm	10 - 15 cm
Air consumption	290 NI/min	430 NI/min

I-nozzle

1,1	1,2	1,3	1,4	1,5	1,6	1,8
-----	-----	-----	-----	-----	-----	-----

Non DIGITAL with RPS multi-purpose cup 0.6 l / 0.9 l (each 1x) with swivel joint

RP	1061548	1061556	1061564	1061572	1106534	1106542	1126889
HVLP	1061895	1061902	1061887	1061910	1061928	-	-

DIGITAL with RPS multi-purpose cup 0.6 l / 0.9 l (each 1x) with swivel joint

RP	1061621	1061647	1061697	1061712	-	-	-
HVLP	1061994	1061879	1062025	1062033	1062067	-	-

Nozzle set

RP	1063536	1063544	1063552	1063560	1106493	1106526	1125120
HVLP	1063619	1063627	1063635	1063651	1063669	-	-

O-nozzle

1,1	1,2	1,3	1,4	1,5	1,6	1,8
-----	-----	-----	-----	-----	-----	-----

Non DIGITAL with RPS multi-purpose cup 0.6 l / 0.9 l (each 1x) with swivel joint

RP	1061580	1061598	1061605	1061613	1106550	1106568	1126897
HVLP	1061936	1061944	1061952	1061960	1061978	-	-

DIGITAL with RPS multi-purpose cup 0.6 l / 0.9 l (each 1x) with swivel joint

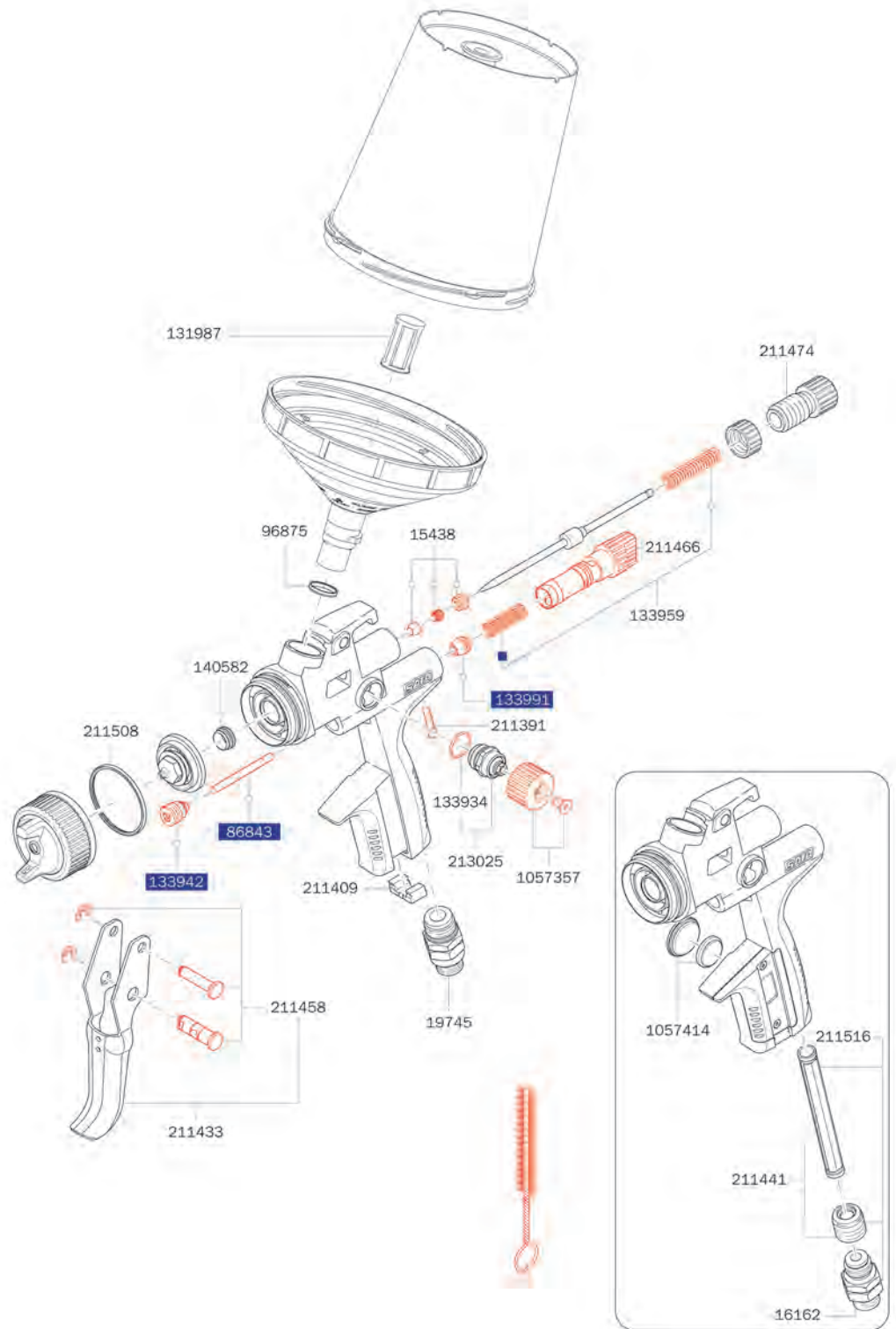
RP	1061746	1061788	1061803	1061829	-	-	-
HVLP	1062075	1062108	1062124	1062158	1062166	-	-

Nozzle set

RP	1063578	1063586	1063594	1063601	1106500	1106518	1125138
HVLP	1063677	1063685	1063643	1063693	1063700	-	-

Spare parts
SATAjet X 5500

1057357
Control knob with screw (2 pieces each)
1057414
Battery kit
1097379
Universal spanner (pack of 3 pieces)
131987
Spare plug-in sieve 200 µm, pastel green (packing unit 100 pieces)
133934
Sealing (packing unit 3 pieces) for spindle
133942
Seal retainer, cpl.
133959
Pressure spring (3 pieces) for paint needle and air piston
133991
Air piston head (packing unit 3 pieces)
140582
Sealing element (packing unit 5 pieces) for fluid tip
15438
Paint needle packing
16162
Swivel joint
19745
Swivel joint
211391
Locking screw (packing unit 3 pieces) for air micrometer
211409
CCS-Clips, green, blue, red, black (packing unit 4 pieces)
211433
Trigger kit
211441
Seal retainer with sleeve
211458
Trigger sleeve kit
211466
Air micrometer
211474
Material flow control with counter nut
211508
Sealing ring (packing unit 5 pieces)
211516
Swivel joint with seal retainer and sleeve
213025
Spindle, cpl., for round / flat spray control
86843
Air piston rod
96875
PVC insert for paint spray guns with QCC cup connection



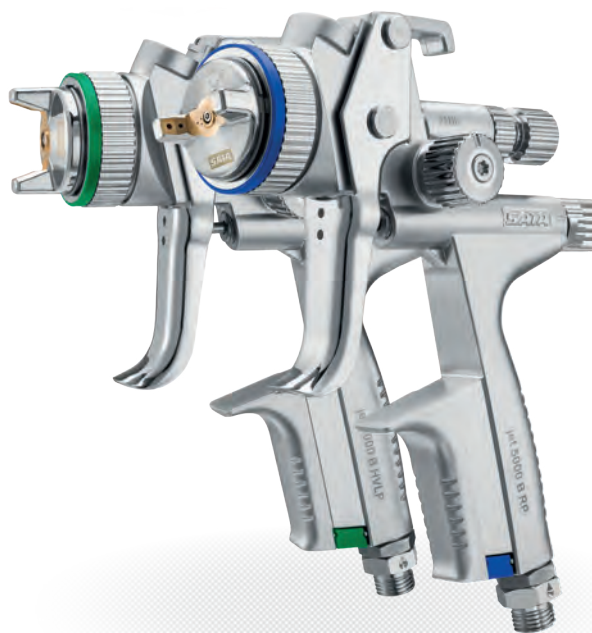
Tool kit

1057323
Universal spanner, combi tool, cleaning brush, CCS clips, paint strainer



Repair kit

- 1047522
Repair kit
- 82552
Air piston service unit
- 136960
Sealing kit



SATAJet 5000 B

RP/HVLP



Technical Data	RP	HVLP
Recommended air inlet pressure	2,0 bar	2,0 bar
air inlet pressure field of application	0,5 - 2,4 bar	0,5 - 2,4 bar
Recommended spraying distance	17 - 21 cm	10 - 15 cm
Air consumption	290 NI/min	430 NI/min

1,0	1,1	1,2	1,2 W	WSB	1,3	1,3 cc	1,4
-----	-----	-----	-------	-----	-----	--------	-----

Non DIGITAL with RPS multi-purpose cup 0.3 l / 0.6 l / 0.9 l (each 1x) with swivel joint

RP	1117523	215640	209775	209783	-	209791	1005075	209809
HVLP	210732	-	210559	-	210567	210575	-	210591

Nozzle set

RP	210245	210252	210260	210278	-	210286	1002104	210294
HVLP	210955	-	210963	-	210971	210989	-	211011

1,5	1,6	1,7	1,8	1,9	2,0	2,2	2,5
-----	-----	-----	-----	-----	-----	-----	-----

Non DIGITAL with RPS multi-purpose cup 0.3 l / 0.6 l / 0.9 l (each 1x) with swivel joint

RP	-	209890	-	209908	-	209916	-	1117531
HVLP	210609	-	210831	-	210849	-	210856	-

Nozzle set

RP	-	210302	-	210310	-	210328	-	210336
HVLP	211045	-	211052	-	211060	-	211078	-

SPRAY GUNS

CUP SYSTEMS

BREATHING PROTECTION

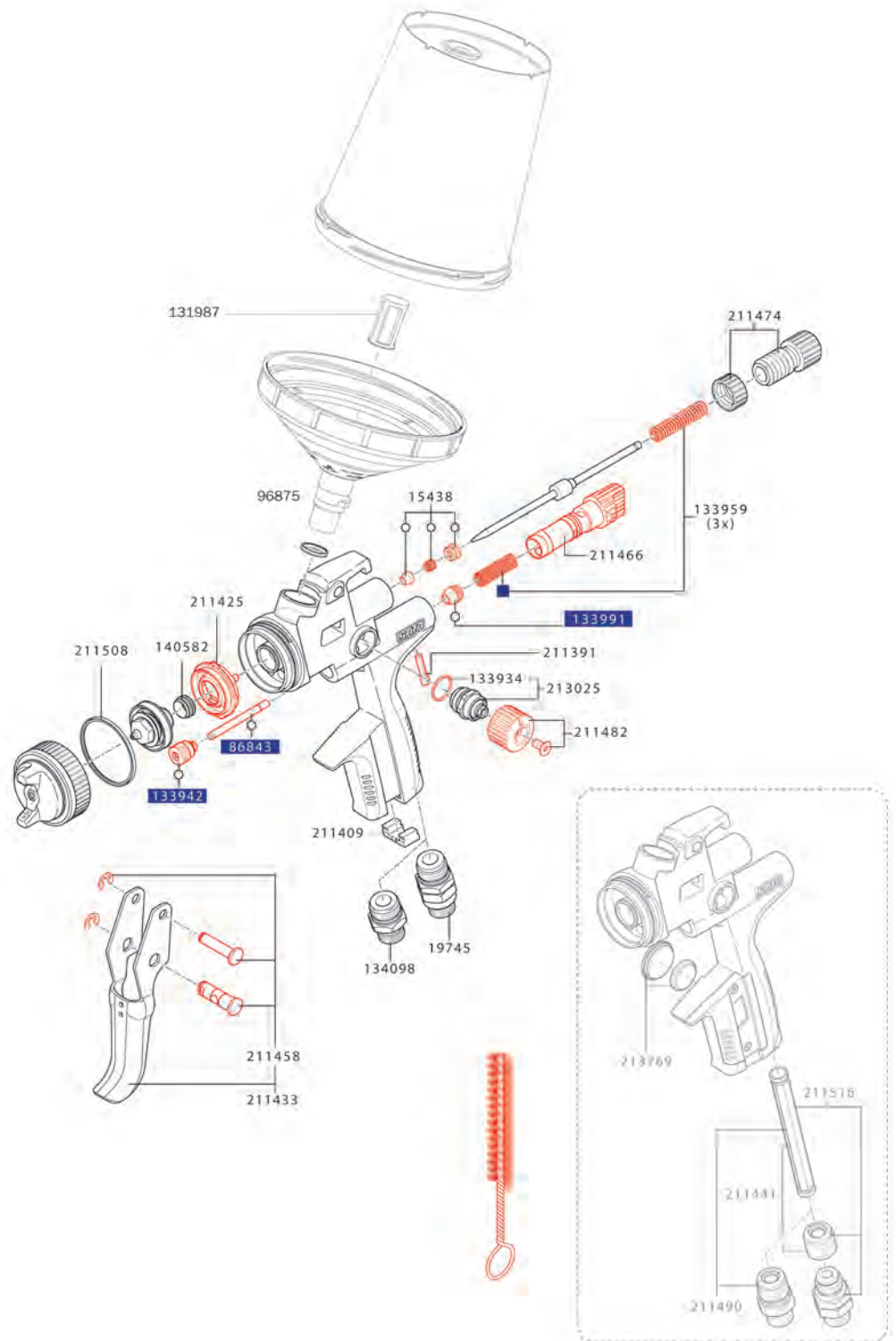
FILTER TECHNOLOGY

ADDITIONAL PRODUCTS

MERCHANDISING ITEMS

Spare parts
SATAjet 5000 B

1097379
Universal spanner (pack of 3 pieces)
131987
Spare plug-in sieve 200 µm, pastel green (packing unit 100 pieces)
133934
Sealing (packing unit 3 pieces) for spindle
133942
Seal retainer, cpl.
133959
Pressure spring (3 pieces) for paint needle and air piston
133991
Air piston head (packing unit 3 pieces)
134098
Air connection piece 1/4" (male thread)
140582
Sealing element (packing unit 5 pieces) for fluid tip
15438
Paint needle packing
19745
Swivel joint
211391
Locking screw (packing unit 3 pieces) for air micrometer
211409
CCS-Clips, green, blue, red, black (packing unit 4 pieces)
211425
Air distribution ring (packing unit 3 pieces)
211433
Trigger kit
211441
Seal retainer with sleeve
211458
Trigger sleeve kit
211466
Air micrometer
211474
Material flow control with counter nut
211482
Control knob with screw (each 2 pieces)
211490
Air connection with sleeve
211508
Sealing ring (packing unit 5 pieces)
211516
Swivel joint with seal retainer and sleeve
213025
Spindle, cpl., for round / flat spray control
213769
Battery kit
86843
Air piston rod
96875
PVC insert for paint spray guns with QCC cup connection



Tool kit

211524
Universal spanner, combi tool, cleaning brush, CCS clips, paint strainer



Repair kit

- 211532
Repair kit
- 82552
Air piston service unit
- 136960
Sealing kit

SATAjet 3000 K

RP/HVLP



Technical Data	RP	HVLP
Recommended air inlet pressure	2,5 bar	2,5 bar
air inlet pressure field of application	2,5 - 3,0 bar	2,5 bar
Recommended spraying distance	17 - 21 cm	10 - 15 cm
Air consumption	430 NI/min	560 NI/min
Max. material inlet pressure	10 bar	10 bar

0,8	1,0	1,1	1,2	1,3	1,4	1,5	1,6
-----	-----	-----	-----	-----	-----	-----	-----

Spray gun

RP	92932	-	93336	-	93344	-	93351	-
HVLP	93385	92924	-	93393	-	193656	-	96164

Nozzle set

RP	92494	-	92502	-	92510	-	92528	-
HVLP	92783	92791	-	92809	-	191379	-	92817

1,7	2,0						
-----	-----	--	--	--	--	--	--

Spray gun

RP	93369	93377	-	-	-	-	-
HVLP	-	96172	-	-	-	-	-

Nozzle set

RP	95422	95356	-	-	-	-	-
HVLP	-	92825	-	-	-	-	-

Required accessories for SATA pressure fed spray guns

92031

SATA paint tube G 3/8" (female thread) - 3/8" (male thread) for SATA pressure fed spray guns



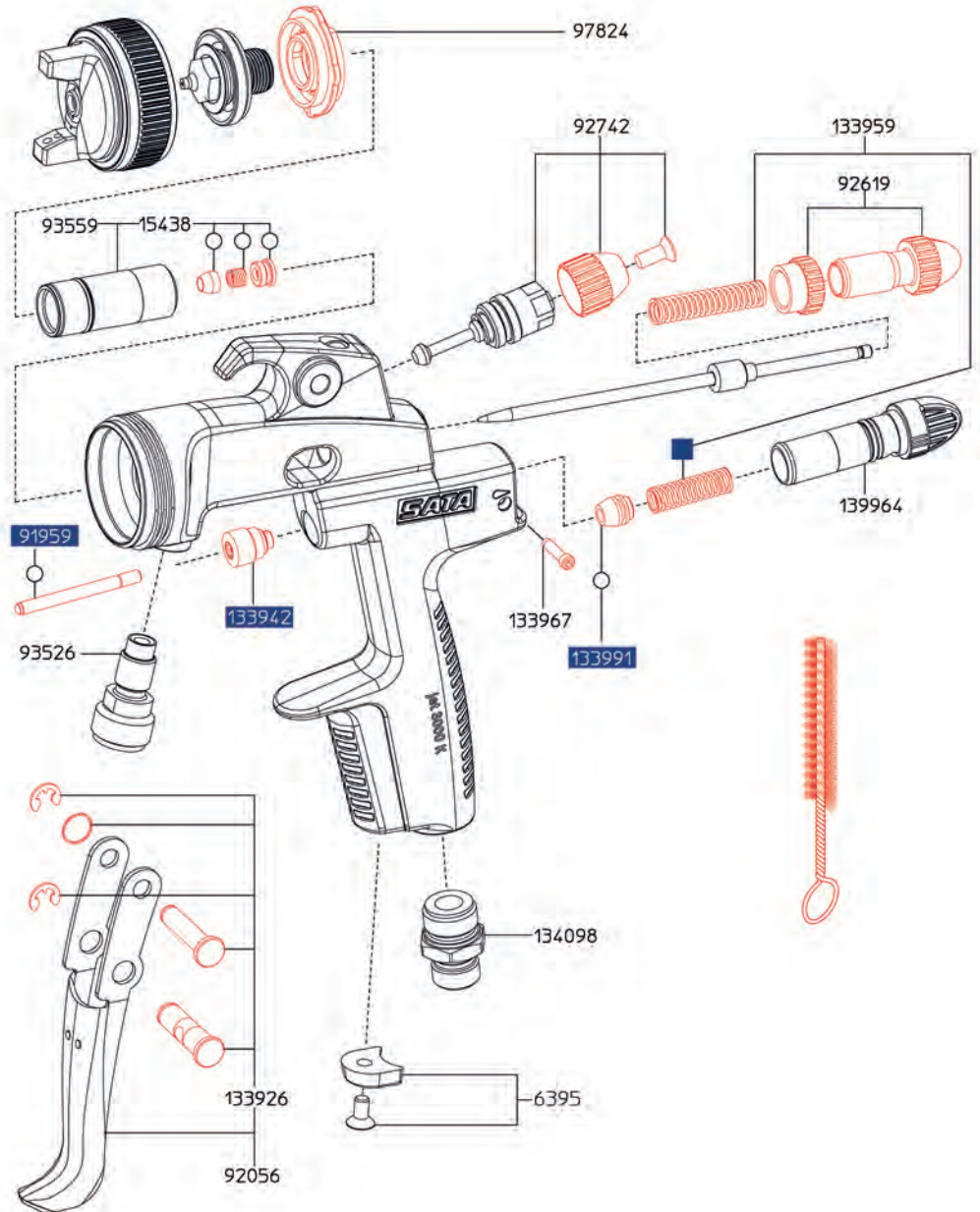
38265

SATA paint strainer 60 msh, G 3/8" (female thread) and 3/8" (male thread) for SATA pressure fed spray gun except for SATAminijet

Upon request: spray guns and nozzle sets with surface treatment for increased lifetime of the fluid tip and paint needle.
You will find further accessories at the end of this section.

Spare parts
SATAjet 3000 K

1097379	Universal spanner (pack of 3 pieces)
133926	Trigger sleeve kit
133942	Seal retainer, cpl.
133959	Pressure spring (3 pieces) for paint needle and air piston
133967	Adjustment screw (packing unit 3 pieces) for air micrometer
133991	Air piston head (packing unit 3 pieces)
134098	Air connection piece 1/4" (male thread)
139964	Air micrometer
15438	Paint needle packing
6395	CCS Clips, green, blue, red, black packing unit 4 pieces)
91959	Air piston rod
92056	Trigger kit
92619	Material flow control with counter nut
92742	Round/flat spray control
93526	Material connection, stainless steel
93559	Insert, stainless steel
97824	Air distribution ring (3 pieces)



Tool kit

9050
Universal spanner, Cleaning brush, Allen wrench 4 mm width, Allen wrench 2 mm width, Extraction tool, Paint strainer



Repair kit

- 92767
Repair kit
- 92759
Air piston service unit
- 183780
Sealing kit

SATAjet 3000 K spray mix

spray mix



Technical Data

Technical Data	SATAjet 3000 K spray mix
Recommended air inlet pressure	variabel
Recommended spraying distance	variabel
Air consumption	variabel
Max. material inlet pressure	250 bar



Spray mix gun

120006

SATAjet 3000 K spray mix with paint tube, strainer 100 msh, without paint nozzle

Spray mix spray gun with inversion switch

120014

SATAjet 3000 K spray mix with paint tube, strainer 100 msh, inversion switch, without inversion nozzle

207530

Retrofit kit, inversion switch without inversion nozzle for SATAjet 4800 K spray mix / 3000 K spray mix

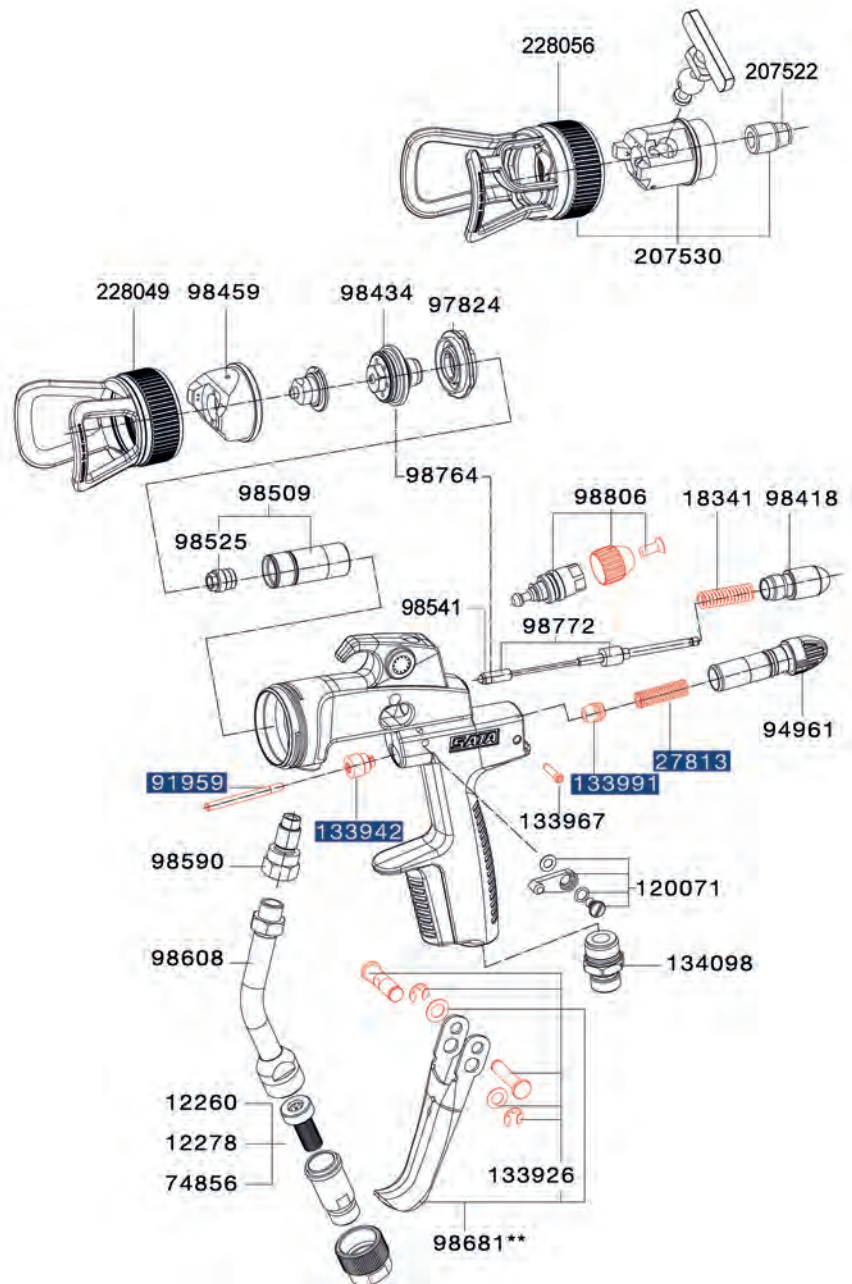
Nozzle No.	Art. No.	Ø mm	Ø inch	Angle	Width	l/min à 70 bar	Strainer	Strainer
Fluid tip								
1840	23044	0,18 mm	0,007 in	40°	18 cm	0,16 l/min		
2325	7328	0,23 mm	0,009 in	25°	14 cm	0,23 l/min	200 msh	85 µm
2350	7435	0,23 mm	0,009 in	50°	22 cm	0,23 l/min	200 msh	85 µm
2360	74922	0,23 mm	0,009 in	60°	24 cm	0,23 l/min	200 msh	85 µm
2825	16998	0,28 mm	0,011 in	25°	14 cm	0,30 l/min	200 msh	85 µm
2850	50906	0,28 mm	0,011 in	50°	22 cm	0,30 l/min	200 msh	85 µm
2865	13771	0,28 mm	0,011 in	65°	26 cm	0,30 l/min	200 msh	85 µm
3325	20206	0,33 mm	0,013 in	25°	14 cm	0,45 l/min	100 msh	150 µm
3350	50898	0,33 mm	0,013 in	50°	23 cm	0,45 l/min	100 msh	150 µm
3365	13789	0,33 mm	0,013 in	65°	28 cm	0,45 l/min	100 msh	150 µm
3375	74930	0,33 mm	0,013 in	75°	32 cm	0,45 l/min	100 msh	150 µm
3390	73742	0,33 mm	0,013 in	90°	40 cm	0,45 l/min	100 msh	150 µm
3825	13797	0,38 mm	0,015 in	25°	15 cm	0,61 l/min	100 msh	150 µm
3850	7344	0,38 mm	0,015 in	50°	25 cm	0,61 l/min	100 msh	150 µm
3882	74948	0,38 mm	0,015 in	82°	34 cm	0,61 l/min	100 msh	150 µm
4650	19307	0,46 mm	0,018 in	50°	25 cm	0,95 l/min	60 msh	250 µm
4682	74955	0,46 mm	0,018 in	82°	35 cm	0,95 l/min	60 msh	250 µm
5370	150276	0,53 mm	0,021 in	70°	33 cm	1,28 l/min	60 msh	250 µm
6050	17004	0,60 mm	0,024 in	50°	31 cm	1,59 l/min	60 msh	250 µm

Inversion nozzle for inversion switch

2550	207548	0,25 mm	0,010 in	20° / 50°	14 / 22 cm	0,25 l/min	200 msh	85 µm
3050	207555	0,30 mm	0,012 in	20° / 50°	14 / 22 cm	0,38 l/min	200 msh	85 µm
3550	207563	0,35 mm	0,014 in	20° / 50°	14 / 24 cm	0,50 l/min	100 msh	150 µm
4050	207571	0,40 mm	0,016 in	20° / 50°	14 / 25 cm	0,70 l/min	100 msh	150 µm

Spare parts
SATAjet 3000 K
spray mix

120071
Trigger block, cpl.
12260
Sieve 60 msh (packing unit 4 pieces)
12278
Sieve, 100 msh (packing unit 4 pieces)
133926
Trigger sleeve kit
133942
Seal retainer, cpl.
133967
Adjustment screw (packing unit 3 pieces) for air micrometer
133991
Air piston head (packing unit 3 pieces)
134098
Air connection piece 1/4" (male thread)
18341
Pressure spring for paint needle
207522
Gasket unit inversion switch
207530
Retrofit kit, inversion switch without inversion nozzle
228049
Air cap ring with protection against accidental contact
228056
Air cap ring with protection against accidental contact
27813
Spring for air piston of SATA spray guns except for SATA minijet
74856
Strainer kit: Sieve 200 msh (4 pcs.) strainer holder (2 pcs.), screw (1 pcs.)
91959
Air piston rod
94961
Air micrometer
97824
Air distribution ring (3 pieces)
98418
Closing screw
98434
Pre-nozzle, cpl. SATA jetK3 Spray mix
98459
Air cap round/flat spray fan
98509
Insert with seal retainer
98525
Seal retainer, cpl.
98541
Carbide needle tip
98590
Material connection
98608
Paint tube with strainer 100 msh
98681
Trigger kit
98764
Nozzle set SATAjet 4800 K spray mix / 3000 K spray mix, consisting of pre-nozzle and needle tip
98772
Paint needle with carbide needle tip, cpl.
98806
Round/flat spray control SATAjet K3 spray mix, jet 3000 K spray mix



Tool kit

1006966
Universal spanner, Cleaning brush, Extraction tool



Repair kit

- 98707
Repair kit
- 92759
Air piston service unit
- 30833
Nozzle cleaning kit

SATAjet 1000 B

RP/HVLP



Technical Data	RP	HVLP
Recommended air inlet pressure	2,0 bar	2,0 bar
air inlet pressure field of application	1,5 - 2,0 bar	2,0 bar
Recommended spraying distance	17 - 21 cm	13 - 17 cm
Air consumption	275 NI/min	350 NI/min

0,8	1,0	1,3	1,4	1,6	1,7	1,8	1,9
-----	-----	-----	-----	-----	-----	-----	-----

Spray gun with 0.6 l QCC reusable plastic gravity flow cup without swivel joint

RP	151183	151191	149302	-	149310	-	150391	-
HVLP	-	-	-	149377	-	149385	-	149393

Spray gun with 0.6 l QCC reusable plastic gravity flow cup with swivel joint

RP	157875	157883	157891	-	157909	-	157917	-
HVLP	-	-	-	157966	-	157974	-	157982

Spray gun with 0.75 l QCC reusable aluminium gravity flow cup without swivel joint

RP	151225	151233	150342	-	149344	-	150409	-
HVLP	-	-	-	149419	-	149427	-	149435

Nozzle set

RP	151316	151324	149161	-	149179	-	150417	-
HVLP	-	-	-	149195	-	149203	-	149211

2,0	2,1	2,5	3,0	2,5 HV	3,0 HV	4,0	5,0
-----	-----	-----	-----	--------	--------	-----	-----

Spray gun with 0.6 l QCC reusable plastic gravity flow cup without swivel joint

RP	149328	-	151209	151217	-	-	-	-
HVLP	-	149401	-	-	-	-	-	-

Spray gun with 0.6 l QCC reusable plastic gravity flow cup without swivel joint - high viscosity

RP	-	-	-	-	1003194	1003201	-	-
----	---	---	---	---	---------	---------	---	---

Spray gun with 0.6 l QCC reusable plastic gravity flow cup without swivel joint - large nozzles

RP	-	-	-	-	-	-	154161	-
----	---	---	---	---	---	---	--------	---

Spray gun with 0.6 l QCC reusable plastic gravity flow cup with swivel joint

RP	157925	-	157933	157941	-	-	-	-
HVLP	-	157990	-	-	-	-	-	-

Spray gun with 0.6 l QCC reusable plastic gravity flow cup with swivel joint - high viscosity

RP	-	-	-	-	1003235	1003243	-	-
----	---	---	---	---	---------	---------	---	---

SPRAY GUNS

CUP SYSTEMS

BREATHING PROTECTION

FILTER TECHNOLOGY

ADDITIONAL PRODUCTS

MERCHANDISING ITEMS

	2,0	2,1	2,5	3,0	2,5 HV	3,0 HV	4,0	5,0	
Spray gun with 0.6 l QCC reusable plastic gravity flow cup with swivel joint - large nozzles									
RP	-	-	-	-	-	-	157958	-	
Spray gun with 0.75 l QCC reusable aluminium gravity flow cup without swivel joint									
RP	149351	-	151241	151258	-	-	-	-	
HVLP	-	149443	-	-	-	-	-	-	
Spray gun with 0.75 l QCC reusable aluminium gravity flow cup without swivel joint - high viscosity									
RP	-	-	-	-	1003219	1003227	-	-	
Spray gun with 0.75 l QCC reusable aluminium gravity flow cup without swivel joint - large nozzles									
RP	-	-	-	-	-	-	154179	-	
Nozzle set									
RP	149187	-	151332	151340	-	-	-	-	
HVLP	-	149229	-	-	-	-	-	-	
Nozzle set - highly viscous									
RP	-	-	-	-	222372	222380	-	-	
Nozzle set - large nozzle sizes									
RP	-	-	-	-	-	-	154187	154195	

SATAjet 1000 B RP for glue applications

164962

SATAjet 1000 B RP nozzle 1.6 D twisted round spray 0.6 l QCC reusable plastic cup

164970

Nozzle set SATAjet 1000 B RP 1.6 twisted round spray

214320

SATAjet 1000 B RP nozzle 1.3 DA pressurised cup spray gun for dispersion glues, incl. SATA BVD add-on kit

214338

Nozzle set SATAjet 1000 B RP 1.3 DA for dispersion glues

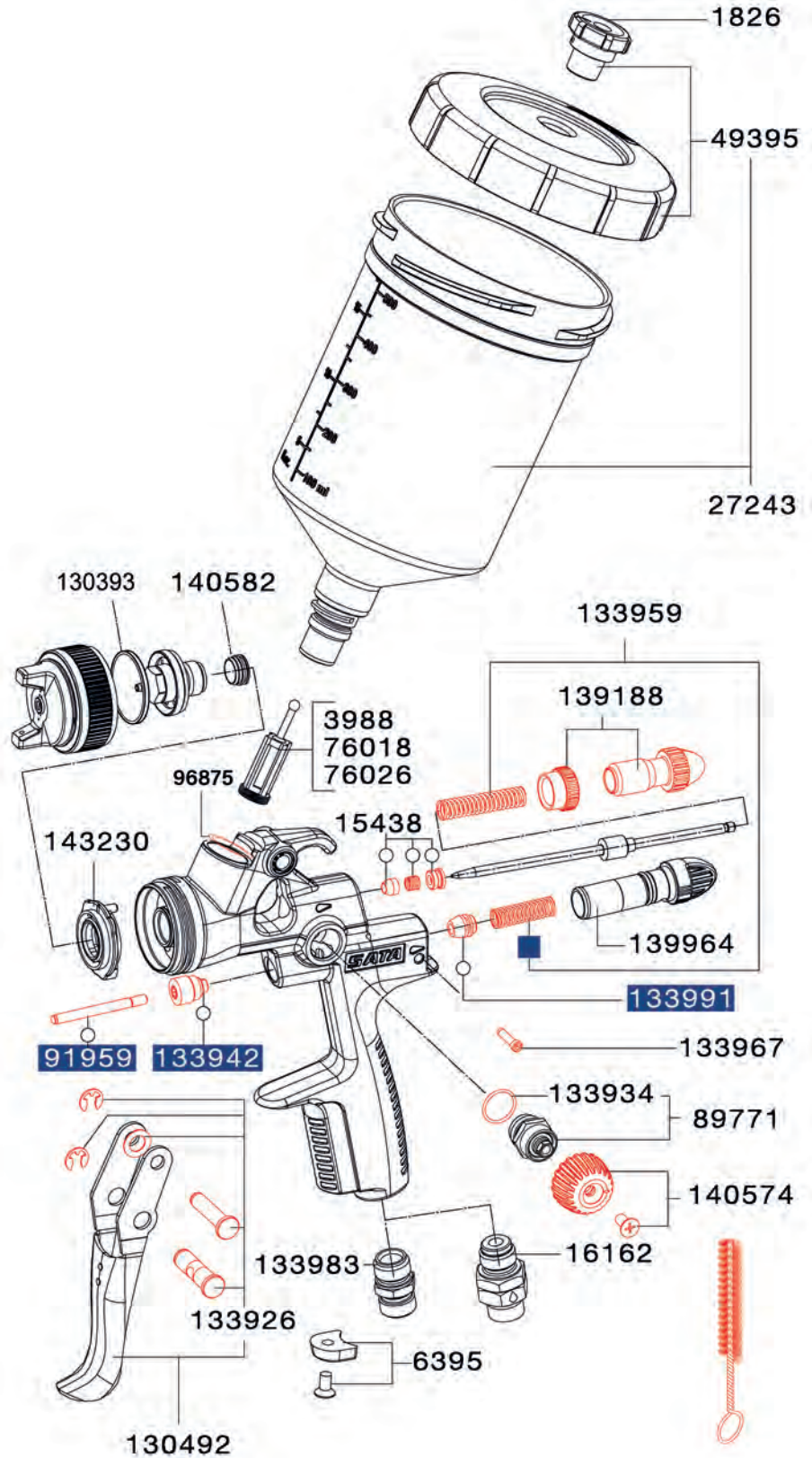
You will find the extensions at the end of this section.

SPRAY GUNS
 CUP SYSTEMS
 BREATHING PROTECTION
 FILTER TECHNOLOGY
 ADDITIONAL PRODUCTS
 MERCHANDISING ITEMS

Spare parts

SATAjet 1000 B

1097379
Universal spanner (pack of 3 pieces)
130393
Sealing ring for air cap ring SATAjet 100 and 1000
130492
Trigger kit
133926
Trigger sleeve kit
133934
Sealing (packing unit 3 pieces) for spindle
133942
Seal retainer, cpl.
133959
Pressure spring (3 pieces) for paint needle and air piston
133967
Adjustment screw (packing unit 3 pieces) for air micrometer
133983
Air connection piece 1/4" male thread
133991
Air piston head (packing unit 3 pieces)
139188
Material flow control with counter nut
139964
Air micrometer
140574
Control knob with screw
140582
Sealing element (packing unit 5 pieces) for fluid tip
143230
Air distribution ring (packing unit 3 pieces)
15438
Paint needle packing
16162
Swivel joint
1826
Anti-drip device (packing unit 4 pieces)
27243
Reusable plastic cup, 0.6 l with QCC without fine thread for SATAjet 5000 series, jet 4000 B, jet 3000 B, jet 2000, jet 1000 B, jet 100 B, jet RP, minijet 4400 B
3988
Paint strainer, 300 µm (packing unit 10 pieces)
49395
Screw-on lid for 0.6 l PVC cup with drip-catching ring and non-drip device
6395
CCS Clips, green, blue, red, black packing unit 4 pieces)
76018
Paint strainer, 300 µm (packing unit 100 pieces)
76026
Paint strainer, 300 µm (packing unit 500 pieces)
89771
Spindle, cpl., f. round / flat spray control SATAjet 2000 HVLP
91959
Air piston rod
96875
PVC insert for paint spray guns with QCC cup connection



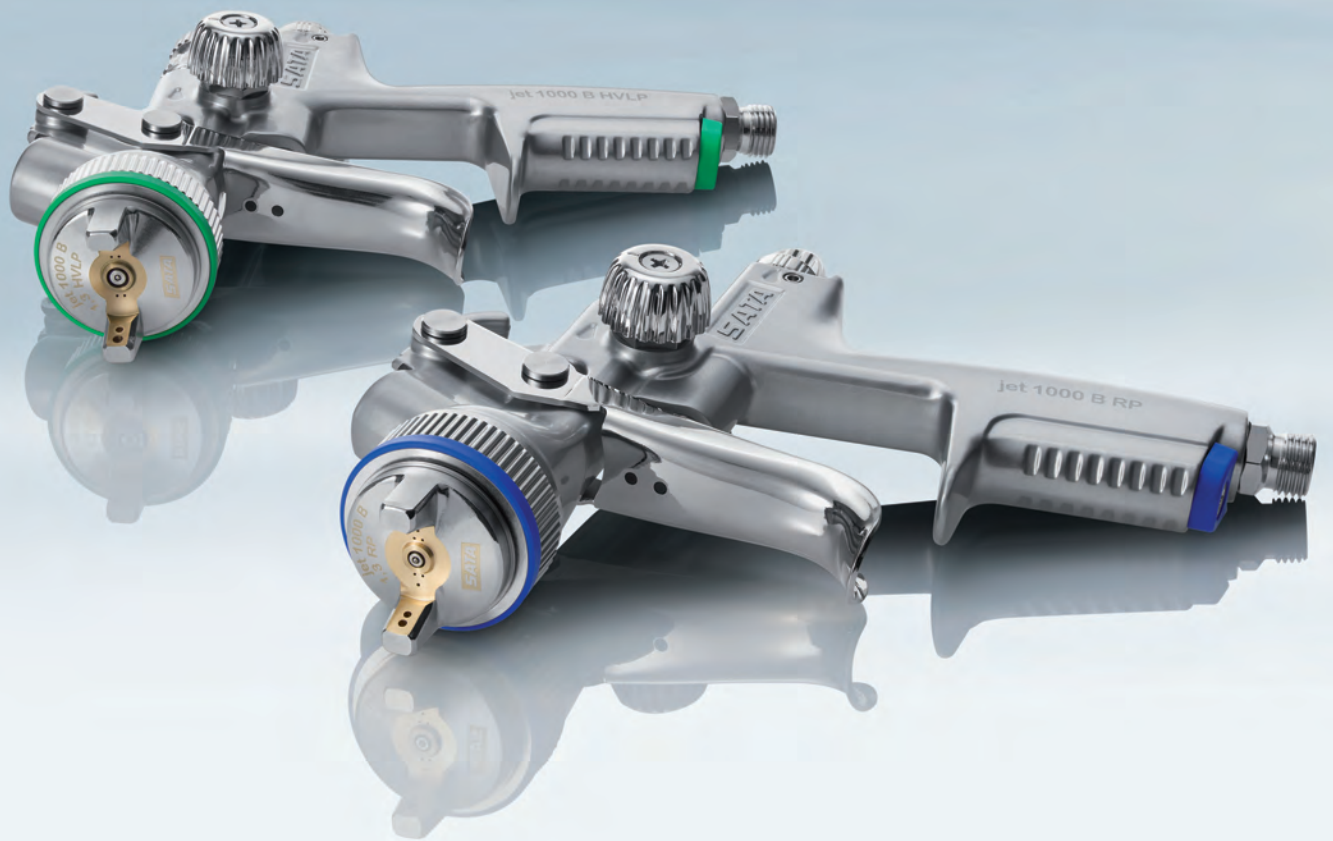
Tool kit

9050
 Universal spanner, Cleaning brush, Allen wrench 4 mm width, Allen wrench 2 mm width, Extraction tool, Paint strainer



Repair kit

- 130542
Repair kit
- 92759
Air piston service unit
- 183780
Sealing kit



SATAjet 1000 B LIGNUM 2

RP/HVLP



Technical Data	RP	HVLP
Recommended air inlet pressure	2,0 bar	2,0 bar
air inlet pressure field of application	1,5 - 2,0 bar	2,0 bar
Recommended spraying distance	17 - 21 cm	13 - 17 cm
Air consumption	275 NI/min	350 NI/min

	1,3	1,4	1,6	1,7	1,8	1,9	2,0	2,5
--	-----	-----	-----	-----	-----	-----	-----	-----

Spray gun with 0.6 l QCC reusable plastic gravity flow cup with swivel joint

RP	190157	-	190165	-	190173	-	-	-
HVLP	-	190124	-	190132	-	-	-	-

Spray gun with 0.6 l QCC reusable plastic gravity flow cup without swivel joint

RP	-	-	-	-	-	-	190181	197665
HVLP	-	-	-	-	-	190140	-	-

Nozzle set

RP	149161	-	149179	-	150417	-	149187	151332
HVLP	-	149195	-	149203	-	149211	-	-

	0,8	1,0	2,1	3,0	2,5 HV	3,0 HV	4,0	5,0
--	-----	-----	-----	-----	--------	--------	-----	-----

Nozzle set

RP	151316	151324	-	151340	-	-	-	-
HVLP	-	-	149229	-	-	-	-	-

Nozzle set - highly viscous

RP	-	-	-	-	222372	222380	-	-
----	---	---	---	---	--------	--------	---	---

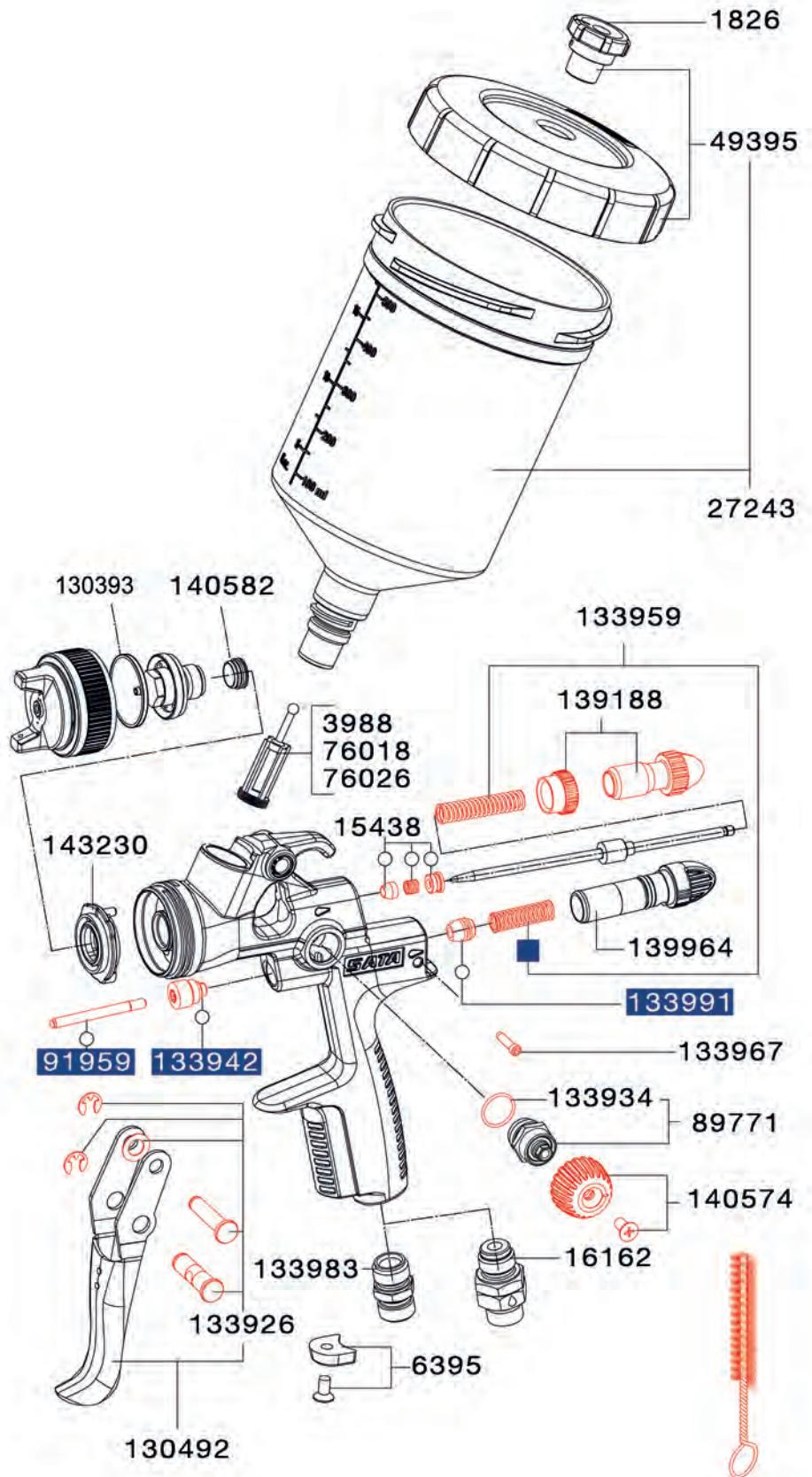
Nozzle set - large nozzle sizes

RP	-	-	-	-	-	-	154187	154195
----	---	---	---	---	---	---	--------	--------

Spare parts

SATAjet 1000 B
LIGNUM 2

1097379	Universal spanner (pack of 3 pieces)
130393	Sealing ring for air cap ring SATAjet 100 and 1000
130492	Trigger kit
133926	Trigger sleeve kit
133934	Sealing (packing unit 3 pieces) for spindle
133942	Seal retainer, cpl.
133959	Pressure spring (3 pieces) for paint needle and air piston
133967	Adjustment screw (packing unit 3 pieces) for air micrometer
133983	Air connection piece 1/4" male thread
133991	Air piston head (packing unit 3 pieces)
139188	Material flow control with counter nut
139964	Air micrometer
140574	Control knob with screw
140582	Sealing element (packing unit 5 pieces) for fluid tip
143230	Air distribution ring (packing unit 3 pieces)
15438	Paint needle packing
16162	Swivel joint
1826	Anti-drip device (packing unit 4 pieces)
27243	Reusable plastic cup, 0.6 l with QCC without fine thread for SATAjet 5000 series, jet 4000 B, jet 3000 B, jet 2000, jet 1000 B, jet 100 B, jet RP, minijet 4400 B
3988	Paint strainer, 300 µm (packing unit 10 pieces)
49395	Screw-on lid for 0.6 l PVC cup with drip-catching ring and non-drip device
6395	CCS Clips, green, blue, red, black packing unit 4 pieces)
76018	Paint strainer, 300 µm (packing unit 100 pieces)
76026	Paint strainer, 300 µm (packing unit 500 pieces)
89771	Spindle, cpl., f. round / flat spray control SATAjet 2000 HVLP
91959	Air piston rod
96875	PVC insert for paint spray guns with QCC cup connection



Tool kit

9050
Universal spanner, Cleaning brush, Allen wrench 4 mm width, Allen wrench 2 mm width, Extraction tool, Paint strainer



Repair kit

- 130542
Repair kit
- 92759
Air piston service unit
- 183780
Sealing kit

SATAjet 1000 K

RP/HVLP



Technical Data	RP	HVLP
Recommended air inlet pressure	2,5 bar	2,5 bar
air inlet pressure field of application	2,5 bar	2,5 bar
Recommended spraying distance	17 - 21 cm	10 - 15 cm
Air consumption	410 NI/min	530 NI/min
Max. material inlet pressure	10 bar	10 bar

	0,8	1,0	1,1	1,2	1,3	1,4	1,5	1,6
--	-----	-----	-----	-----	-----	-----	-----	-----

Spray gun

RP	132092	-	132100	-	132118	-	132126	-
HVLP	139196	139204	-	139212	-	193664	-	139220

Spray gun with lifetime prolonging surface on fluid tip and paint needle

RP	141903	-	141911	-	141929	-	141937	-
HVLP	141960	141978	-	141986	-	-	-	142000

Nozzle set

RP	132159	-	132167	-	132175	-	132183	-
HVLP	139253	139261	-	139279	-	191387	-	139287

Nozzle set with lifetime prolonging surface of fluid tip and paint needle

RP	141648	-	141655	-	141663	-	141689	-
HVLP	141762	141770	-	141804	-	-	-	141812

	1,7	2,0	2,5	3,0	4,0	2,5 - 55 SK	3,0 - 55 SK	4,0 - 79 SK
--	-----	-----	-----	-----	-----	-------------	-------------	-------------

Spray gun

RP	132134	132142	153486	153494	-	-	-	-
HVLP	-	139238	-	-	-	-	-	-

Spray gun - large nozzle sizes

RP	-	-	-	-	154336	-	-	-
----	---	---	---	---	--------	---	---	---

Spray gun with lifetime prolonging surface on fluid tip and paint needle

RP	141945	141952	-	-	-	-	-	-
HVLP	-	142018	-	-	-	-	-	-

Spray gun with slit nozzle

RP	-	-	-	-	-	154344	154351	154369
----	---	---	---	---	---	--------	--------	--------

1,7	2,0	2,5	3,0	4,0	2,5 - 55 SK	3,0 - 55 SK	4,0 - 79 SK
-----	-----	-----	-----	-----	-------------	-------------	-------------

Nozzle set

RP	132191	132209	153528	153536	-	-	-	-
HVLP	-	139295	-	-	-	-	-	-

Nozzle set - large nozzle sizes

RP	-	-	-	-	154377	-	-	-
----	---	---	---	---	--------	---	---	---

Nozzle set with lifetime prolonging surface of fluid tip and paint needle

RP	141697	141705	159442	-	-	-	-	-
HVLP	-	141838	-	-	-	-	-	-

Slit nozzle set

RP	-	-	-	-	-	154393	154401	154419
----	---	---	---	---	---	--------	--------	--------

5,0							
-----	--	--	--	--	--	--	--

Nozzle set - large nozzle sizes

RP	154385	-	-	-	-	-	-	-
----	--------	---	---	---	---	---	---	---

SATAjet 1000 K RP for adhesive applications

161232

SATAjet 1000 K RP nozzle 1.6 D twisted round spray, material connection 3/8" (male thread)

159707

Nozzle set SATAjet 1000 K RP 1.6 twisted round spray

211979

SATAjet 1000 K RP nozzle 1.3 DA for dispersion adhesives, material connection 3/8" (male thread)

211961

Nozzle set SATAjet 1000 K RP 1.3 DA, for dispersion adhesives

3,0 - 55 SK: 55 = Angle / SK = Sintered ceramic

Required accessories for SATA pressure fed spray guns

38265

SATA paint strainer 60 msh, G 3/8" (female thread) and 3/8" (male thread) for SATA pressure fed spray gun except for SATAminijet

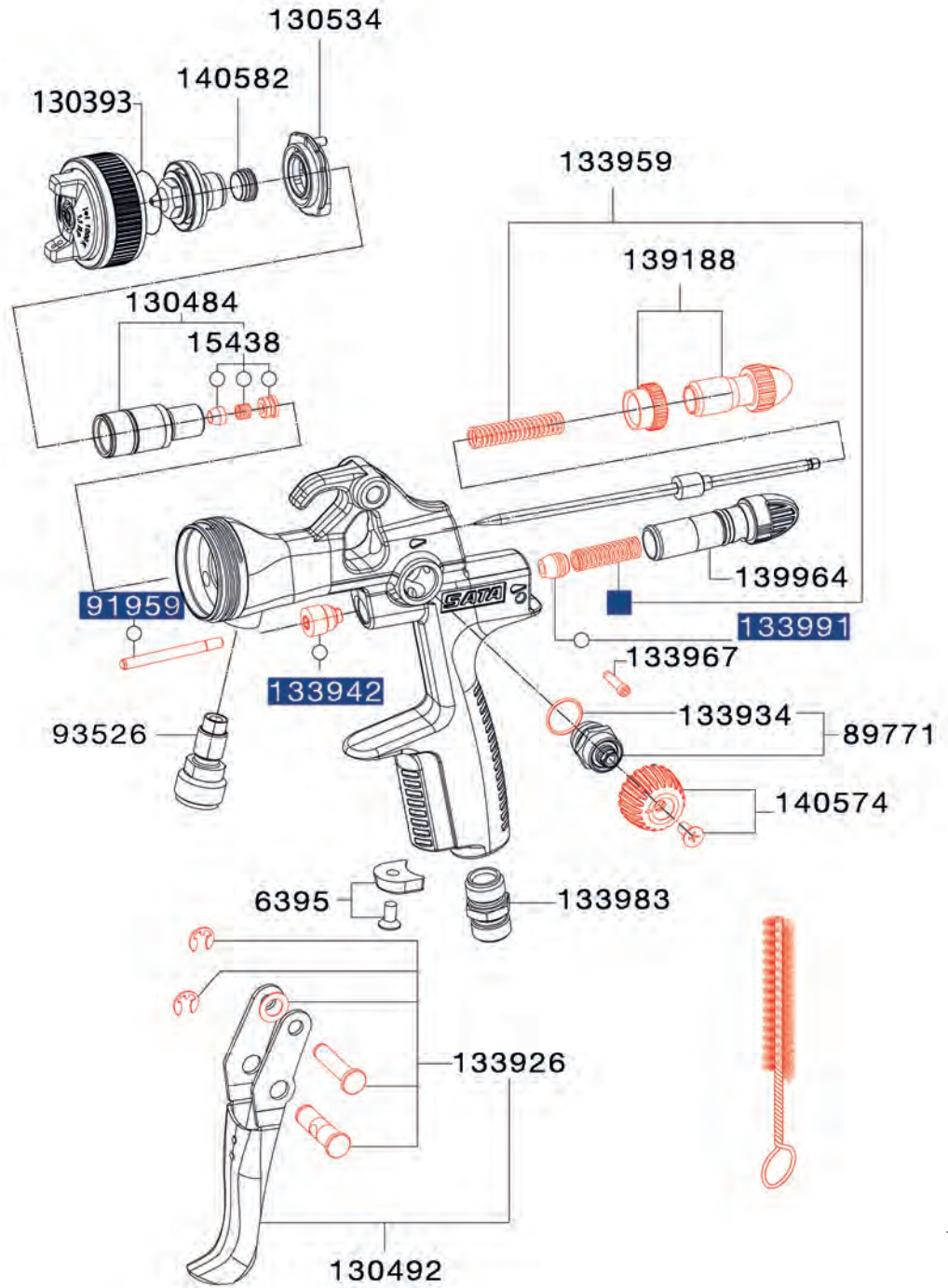
92031

SATA paint tube G 3/8" (female thread) - 3/8" (male thread) for SATA pressure fed spray guns



SPRAY GUNS
 CUP SYSTEMS
 BREATHING PROTECTION
 FILTER TECHNOLOGY
 ADDITIONAL PRODUCTS
 MERCHANDISING ITEMS

Spare parts	
SATAjet 1000 K	
1097379	Universal spanner (pack of 3 pieces)
130393	Sealing ring for air cap ring SATAjet 100 and 1000
130484	Insert, cpl.
130492	Trigger kit
130534	Air distribution ring (packing unit 3 pieces)
133926	Trigger sleeve kit
133934	Sealing (packing unit 3 pieces) for spindle
133942	Seal retainer, cpl.
133959	Pressure spring (3 pieces) for paint needle and air piston
133967	Adjustment screw (packing unit 3 pieces) for air micrometer
133983	Air connection piece 1/4" male thread
133991	Air piston head (packing unit 3 pieces)
139188	Material flow control with counter nut
139964	Air micrometer
140574	Control knob with screw
140582	Sealing element (packing unit 5 pieces) for fluid tip
15438	Paint needle packing
6395	CCS Clips, green, blue, red, black packing unit 4 pieces)
89771	Spindle, cpl., f. round / flat spray control SATAjet 2000 HVLP
91959	Air piston rod
93526	Material connection, stainless steel



Tool kit

9050
 Universal spanner, Cleaning brush, Allen wrench 4 mm width, Allen wrench 2 mm width, Extraction tool, Paint strainer



Repair kit

- 130542
Repair kit
- 92759
Air piston service unit
- 183780
Sealing kit



SATAjet 1000 H

RP



Technical Data RP

Recommended air inlet pressure 2,0 bar
 air inlet pressure field of application 2,0 - 2,5 bar
 Recommended spraying distance 17 - 21 cm
 Air consumption 275 NI/min



1,3	1,6	1,8	2,0
-----	-----	-----	-----

Spray gun with 1.0 l aluminium suction cup without swivel joint

RP	161034	151266	151274	153353
----	--------	--------	--------	--------

Nozzle set

RP	161059	151613	151621	153379
----	--------	--------	--------	--------

SPRAY GUNS

CUP SYSTEMS

BREATHING PROTECTION

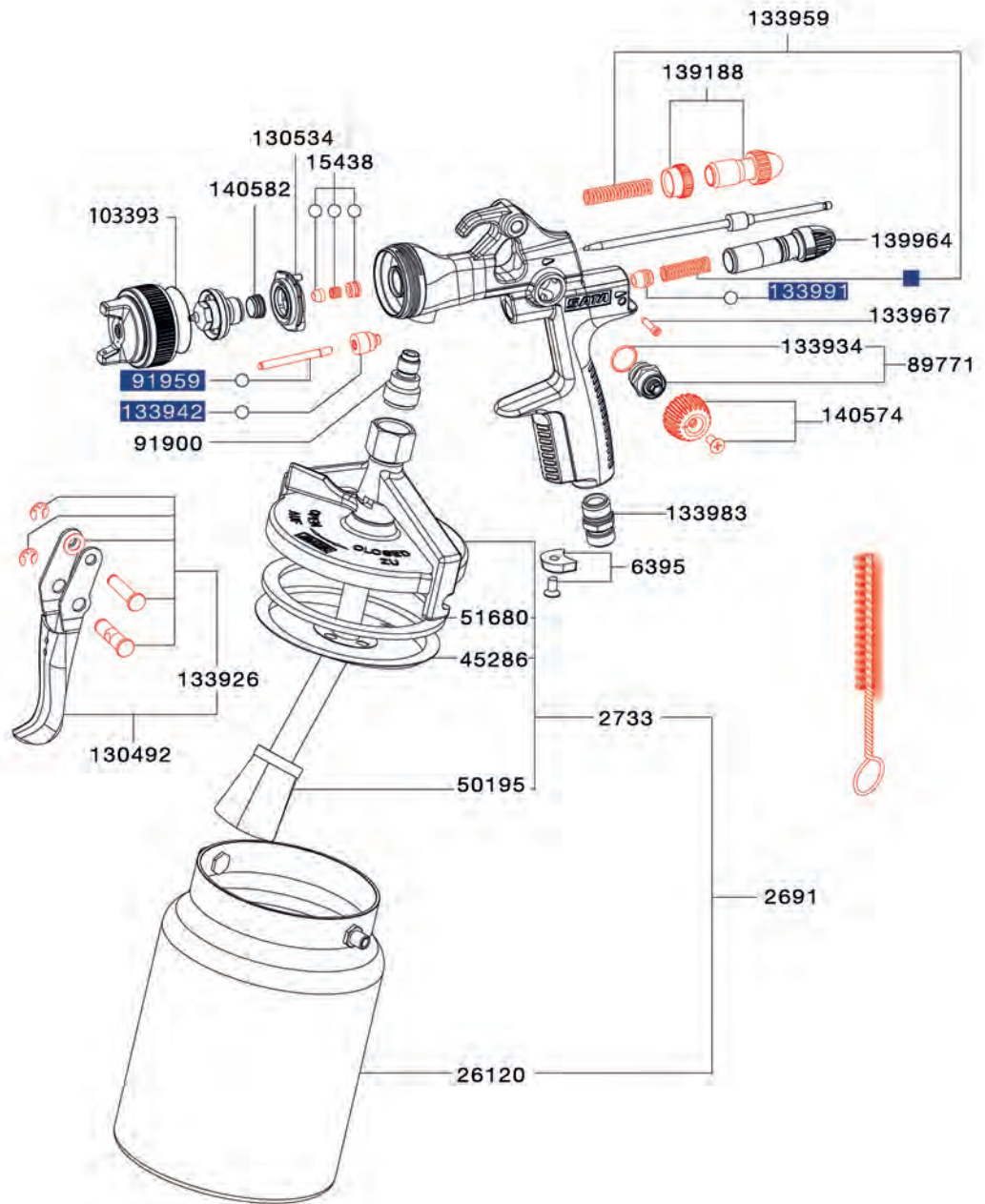
FILTER TECHNOLOGY

ADDITIONAL PRODUCTS

MERCHANDISING ITEMS

Spare parts
SATAjet 1000 H

1097379
Universal spanner (pack of 3 pieces)
130393
Sealing ring for air cap ring SATAjet 100 and 1000
130492
Trigger kit
130534
Air distribution ring (packing unit 3 pieces)
133926
Trigger sleeve kit
133934
Sealing (packing unit 3 pieces) for spindle
133942
Seal retainer, cpl.
133959
Pressure spring (3 pieces) for paint needle and air piston
133967
Adjustment screw (packing unit 3 pieces) for air micrometer
133983
Air connection piece 1/4" male thread
133991
Air piston head (packing unit 3 pieces)
139188
Material flow control with counter nut
139964
Air micrometer
140574
Control knob with screw
140582
Sealing element (packing unit 5 pieces) for fluid tip
15438
Paint needle packing
26120
1.0 l aluminium suction cup, without lid
2691
1.0 l aluminium suction cup, cpl.
2733
Lid fitting
45286
Anti-drip device (pack of 4 pieces)
50195
Strainer (packing unit 2 pieces)
51680
Sealing ring (packing unit 4 pieces)
6395
CCS Clips, green, blue, red, black packing unit 4 pieces)
89771
Spindle, cpl., f. round / flat spray control SATAjet 2000 HVLP
91900
Material connection, stainless steel
91959
Air piston rod



Tool kit

9050
Universal spanner, Cleaning brush, Allen wrench 4 mm width, Allen wrench 2 mm width, Extraction tool, Paint strainer



Repair kit

- 130542
Repair kit
- 92759
Air piston service unit
- 183780
Sealing kit

SATAjet 100 B

RP/HVLP/P



Technical Data	RP	HVLP	P
Recommended air inlet pressure	2,0 bar	2,0 bar	2,0 bar
air inlet pressure field of application	1,5 - 2,0 bar	2,0 bar	1,5 - 2,0 bar
Recommended spraying distance	17 - 21 cm	10 - 15 cm	17 - 21 cm
Air consumption	290 NI/min	350 NI/min	245 NI/min

	1,4	1,6	1,7	1,8	1,9	2,0	2,1
--	-----	-----	-----	-----	-----	-----	-----

Spray gun with RPS multi-purpose cup 0.3 l / 0.6 l / 0.9 l (each 1x) without swivel joint

RP	1012632	1012640	-	1012658	-	1012666	-
HVLP	1012674	-	1012682	-	1012690	-	1012707

Spray gun with 0.6 l QCC reusable plastic gravity flow cup without swivel joint

RP	146969	145193	-	145201	-	145219	-
HVLP	146373	-	145722	-	145730	-	145748

Spray gun with 0.75 l QCC reusable aluminium gravity flow cup without swivel joint

RP	153023	146134	-	146142	-	147421	-
HVLP	147447	-	146175	-	146183	-	147454

Nozzle set

RP	146977	145250	-	145268	-	145276	-
HVLP	146381	-	145417	-	145425	-	145433

SATAjet 100 B F RP 1,1 UV without swivel joint

203125

SATAjet 100 B F RP nozzle 1.1 UV RPS multi-purpose cup 0.6 l UV (3x)

182592

SATAjet 100 B F RP nozzle 1.1 UV 0.75 l QCC reusable aluminium cup

182600

Nozzle set SATAjet 100 B F RP 1.1 UV

For polyester spray filler.

SATAjet 100 B P without swivel joint

145185

SATAjet 100 B nozzle P 0.6 l QCC reusable plastic cup

146217

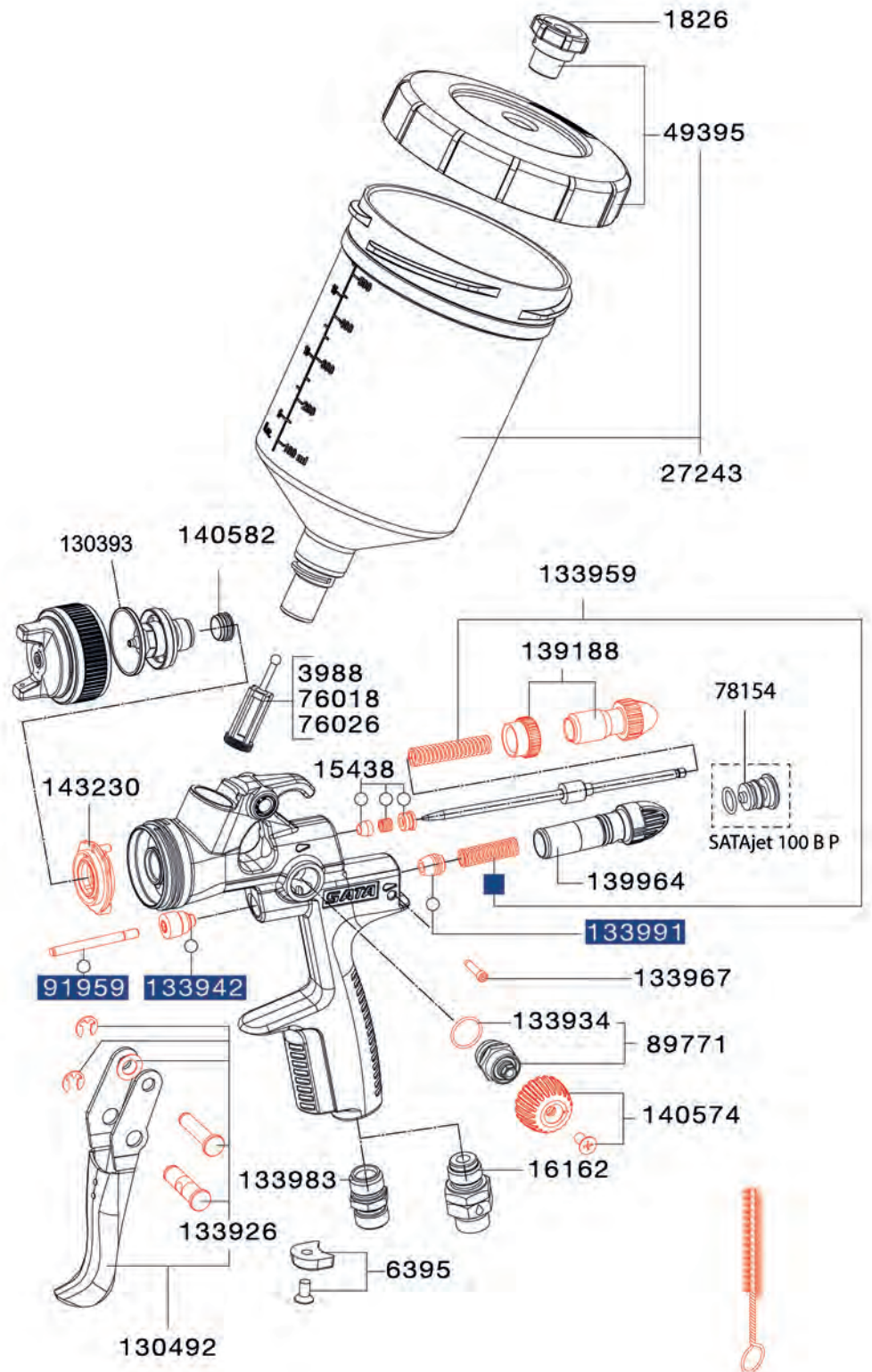
SATAjet 100 B nozzle P 0.75 l QCC reusable aluminium cup

145284

Nozzle set SATAjet 100 B P

Spare parts
SATAjet 100 B

1097379
Universal spanner (pack of 3 pieces)
130393
Sealing ring for air cap ring SATAjet 100 and 1000
130492
Trigger kit
133926
Trigger sleeve kit
133934
Sealing (packing unit 3 pieces) for spindle
133942
Seal retainer, cpl.
133959
Pressure spring (3 pieces) for paint needle and air piston
133967
Adjustment screw (packing unit 3 pieces) for air micrometer
133983
Air connection piece 1/4" male thread
133991
Air piston head (packing unit 3 pieces)
139188
Material flow control with counter nut
139964
Air micrometer
140574
Control knob with screw
140582
Sealing element (packing unit 5 pieces) for fluid tip
143230
Air distribution ring (packing unit 3 pieces)
15438
Paint needle packing
16162
Swivel joint
1826
Anti-drip device (packing unit 4 pieces)
25874
O-ring
27243
Reusable plastic cup, 0.6 l with QCC without fine thread for SATAjet 5000 series, jet 4000 B, jet 3000 B, jet 2000, jet 1000 B, jet 100 B, jet RP, minijet 4400 B
3988
Paint strainer, 300 µm (packing unit 10 pieces)
49395
Screw-on lid for 0.6 l PVC cup with drip-catching ring and non-drip device
6395
CCS Clips, green, blue, red, black packing unit 4 pieces)
76018
Paint strainer, 300 µm (packing unit 100 pieces)
76026
Paint strainer, 300 µm (packing unit 500 pieces)
78154
Closing cap
89771
Spindle, cpl., f. round / flat spray control SATAjet 2000 HVLP
91959
Air piston rod



Tool kit

9050
Universal spanner, Cleaning brush, Allen wrench 4 mm width, Allen wrench 2 mm width, Extraction tool, Paint strainer

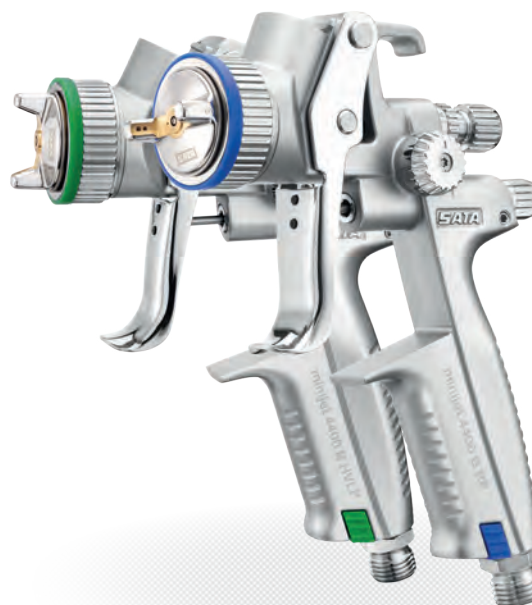


Repair kit

- 130542
Repair kit
- 92759
Air piston service unit
- 183780
Sealing kit

SATAmijnjet 4400 B

RP/HVLP



Technical Data	RP	HVLP
Recommended air inlet pressure	2,5 bar	2,0 bar
air inlet pressure field of application	0,5 - 2,5 bar	0,5 - 2,0 bar
Recommended spraying distance	12 - 19 cm	12 - 15 cm
Air consumption	200 NI/min	120 NI/min

0,3 SR	0,8 SR	1,0 SR	1,2 SR	1,3 SR	1,4 SR	0,3	0,5
--------	--------	--------	--------	--------	--------	-----	-----

Spot-Repair with RPS multi-purpose cup 0.3 l (2x)

RP	1114149	202390	198358	198366	1065136	-	-	-
HVLP	-	198168	198176	198184	-	198192	-	-

Spot Repair with 125 ccm QQC reusable plastic gravity flow cup

RP	-	198200	198218	198226	-	-	-	-
HVLP	-	198069	198077	198085	-	198093	-	-

Spray gun with 125 ccm QQC reusable plastic gravity flow cup

RP	-	-	-	-	-	-	-	202416
HVLP	-	-	-	-	-	-	197970	197988

Nozzle set

RP	1114131	201285	201293	201301	1065037	-	-	202408
HVLP	-	201244	201251	201269	-	201277	201194	201202

0,8	1,0	1,1	1,4	1,6			
-----	-----	-----	-----	-----	--	--	--

Spray gun with 125 ccm QQC reusable plastic gravity flow cup

RP	-	-	-	198234	198242	-	-	-
HVLP	197996	198002	198010	-	-	-	-	-

Nozzle set

RP	-	-	-	201319	201327	-	-	-
HVLP	201210	201228	201236	-	-	-	-	-

design set

198382
SATA design set with SATAmijnjet 4400 B HVLP 1.0



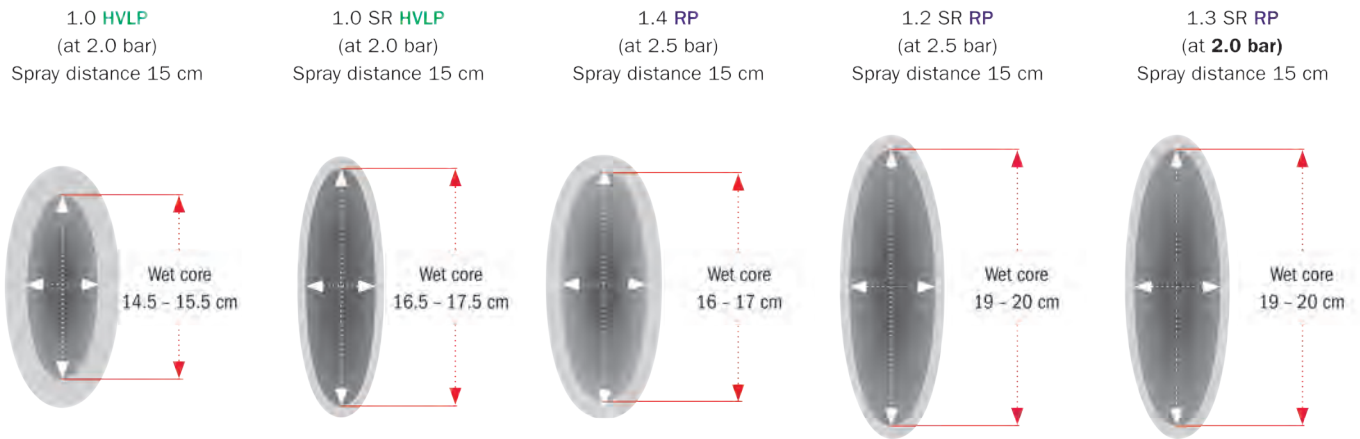
Spray fan comparison

SATAmijnjet 4400 B HVL P

Standard nozzle / SR nozzle

SATAmijnjet 4400 B RP

Standard nozzle / SR nozzle



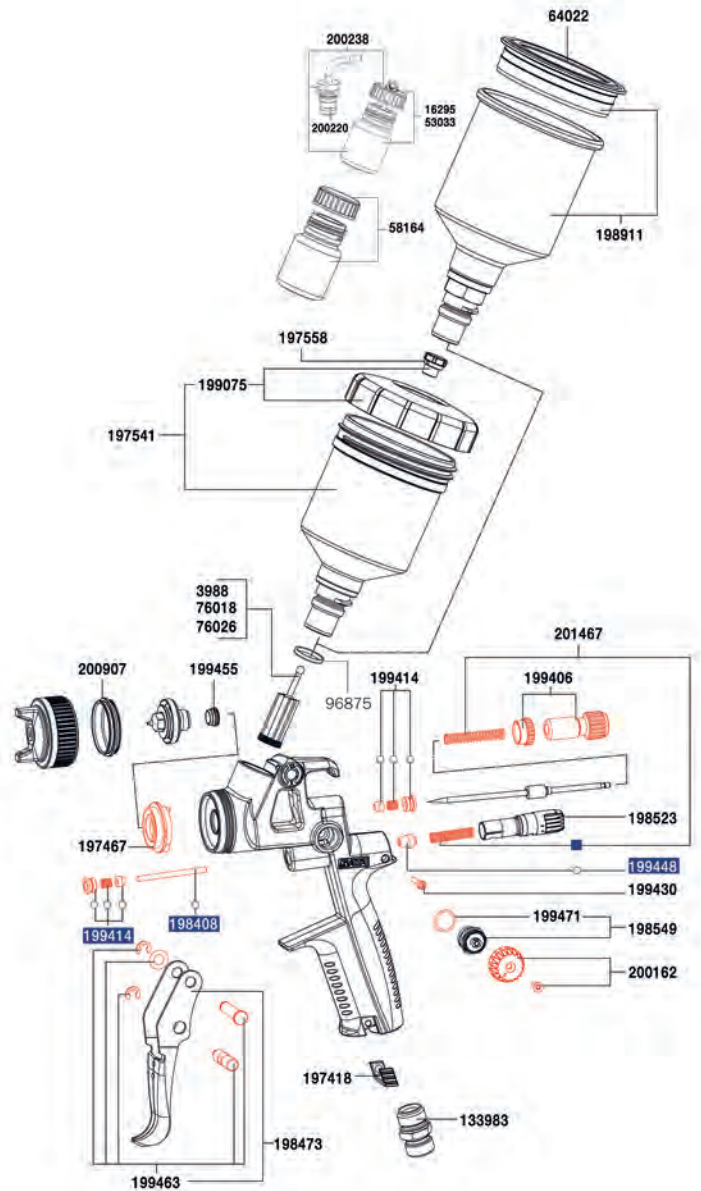
SR-nozzles especially for spot repair applications

- Lower risk of creating bright edges ("halos")
- Allows application of very thin layers of paint

SPRAY GUNS
CUP SYSTEMS
BREATHING PROTECTION
FILTER TECHNOLOGY
ADDITIONAL PRODUCTS
MERCHANDISING ITEMS

Spare parts
SATAminijet
4400 B

1097379	Universal spanner (pack of 3 pieces)
133983	Air connection piece 1/4" male thread
16295	25 ml glass cup with plug-in cup
197418	CCS Clips, green, blue, red, black (packing unit 4 pieces)
197467	Air distribution ring (packing unit 3 pieces)
197541	Reusable plastic cup, 0.125 l with QCC without fine thread for SATAjet 5000 series, jet 4000 B, jet 3000 B, jet 2000, jet 1000 B, jet 100 B, jet RP, minijet 4400 B
197558	Anti-drip device (packing unit 4 pieces)
198408	Air piston rod
198473	Trigger kit
198523	Air micrometer, complete
198549	Spindle for round / flat spray control
198911	Reusable aluminium cup, 0.15 l with QCC without fine thread for SATAjet 5000 series, jet 4000 B, jet 3000 B, jet 2000, jet 1000 B, jet 100 B, jet RP, minijet 4400 B
199075	Screw cap with drip catcher ring and anti-drip device
199406	Material flow control with counter nut
199414	Packing for paint needle and air piston rod
199430	Adjustment screw (packing unit 3 pieces) for air micrometer
199448	Air piston head (packing unit 3 pieces)
199455	Sealing element (packing unit 5 pieces) for fluid tip
199463	Trigger sleeve kit
199471	Gasket (packing unit 3 pieces) for spindle
200162	Control knob with screw (each 2 pieces)
200220	Plug-in cup connection with QCC
200238	25 ml glass cup with plug-in lid (packing unit 5 pieces) and QCC plug-in connection (packing unit 1 piece)
200907	Sealing ring (packing unit 5 pieces)
201467	Pressure spring (each 3 pieces) for paint needle and air piston
3988	Paint strainer, 300 µm (packing unit 10 pieces)
53033	25 ml glass cup with plug-in cup (packing unit 5 pieces)
58164	25 ml glass cup with blind lid (packing unit 5 pieces)
64022	Plastic lid (3 pieces)
76018	Paint strainer, 300 µm (packing unit 100 pieces)
76026	Paint strainer, 300 µm (packing unit 500 pieces)
96875	PVC insert for paint spray guns with QCC cup connection



Tool kit

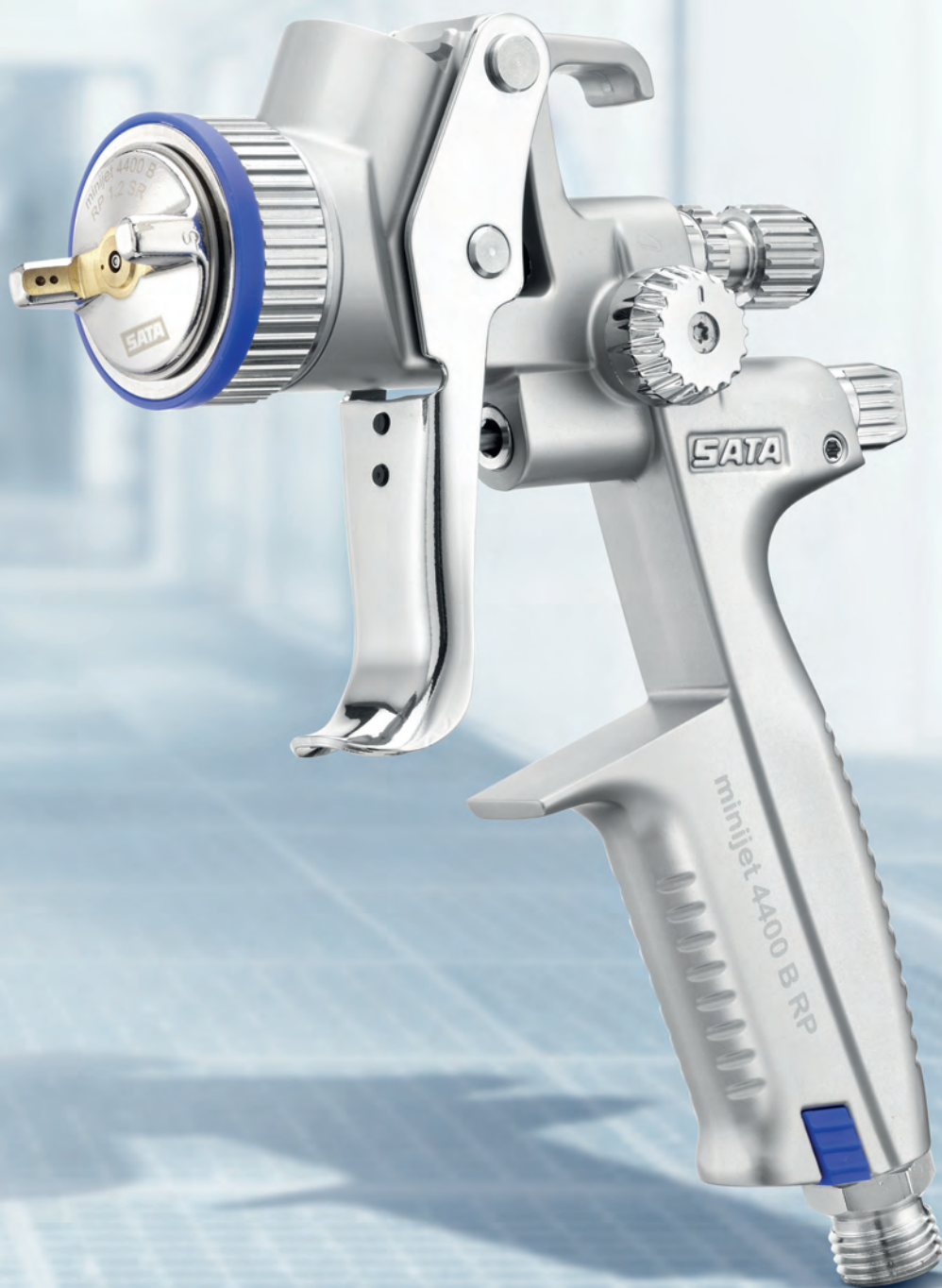
198572
Universal spanner, Combi tool, Cleaning brush,
Extraction tool, Paint strainer



Repair kit

- 198614
Repair kit
- 199422
Air piston service unit
- 200246
Sealing kit







SATAMinijet 1000 K

RP/HVLP



Technical Data	RP	HVLP
Recommended air inlet pressure	2,5 bar	2,0 bar
air inlet pressure field of application	2,5 bar	2,0 - 2,5 bar
Recommended spraying distance	17 - 21 cm	10 - 15 cm
Air consumption	200 NI/min	120 NI/min
Max. material inlet pressure	10 bar	10 bar

	0,3	0,5	0,8	1,0	1,2	1,4
--	-----	-----	-----	-----	-----	-----

Spray gun

	0,3	0,5	0,8	1,0	1,2	1,4
RP	187450	187468	187476	187484	187492	197152
HVLP	190280	190298	190306	190314	190322	-

Nozzle set

	0,3	0,5	0,8	1,0	1,2	1,4
RP	187625	187633	187641	187658	187666	197160
HVLP	190348	190355	190363	190371	190389	-

Required Accessories

187419

SATA paint tube G 1/4 female thread - 1/4" male thread for SATAMinijet 1000 K

187690

SATA paint strainer 60 msh, 1/4" (male thread) for SATAMinijet 1000 K

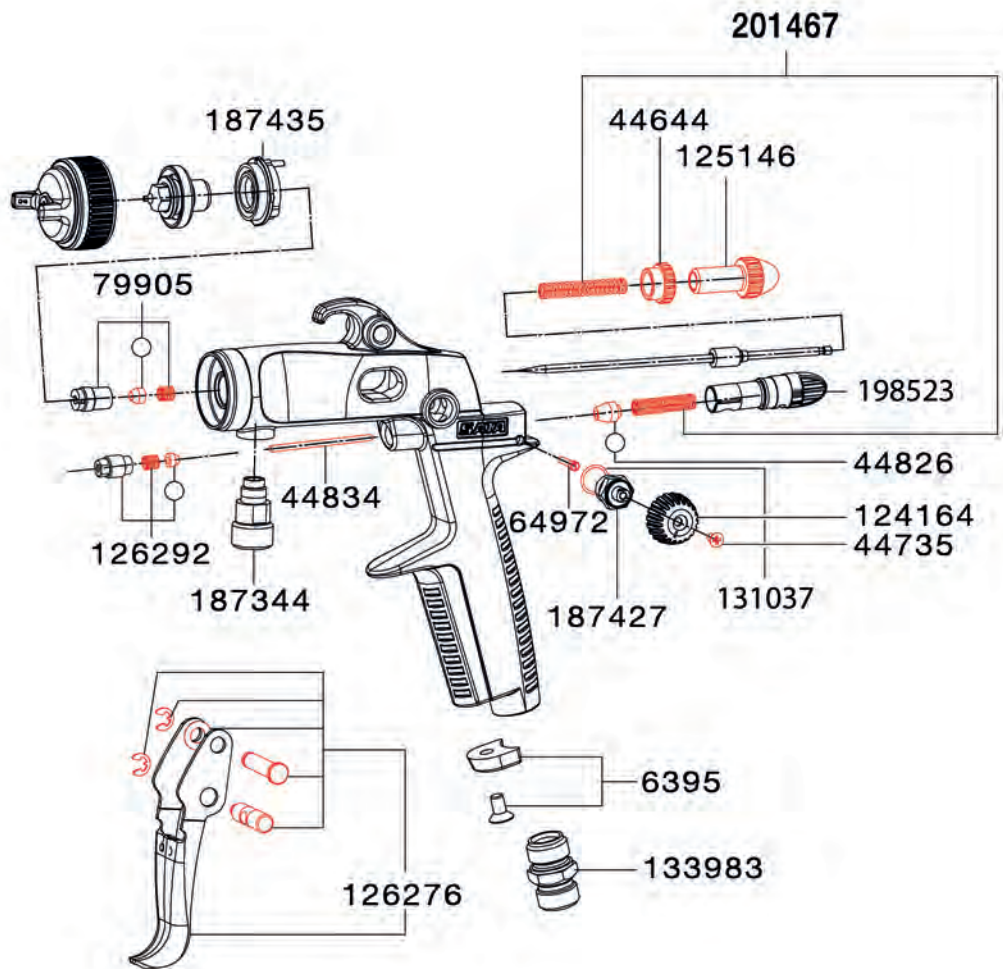
199018

SATA paint tube G 1/4" (female thread) - 3/8" (male thread) for SATAMinijet 1000 K

You will find further accessories at the end of this section.

Spare parts
SATAmijet
1000 K

124164
Control knob
125146
Material flow control screw
126276
Trigger kit
126292
Packing kit air piston rod SATAmijet 3000 B HVLP, minijet 4 HVLP
131037
O-Ring 7 x 1 mm SATAmijet 3000 B HVLP, minijet 4 HVLP
133983
Air connection piece 1/4" male thread
187344
Material connection, stainless steel
187427
Spindle for round/flat control
187435
Air distribution ring (packing unit 3 pieces)
198523
Air micrometer, complete
201467
Pressure spring (each 3 pieces) for paint needle and air piston
44644
Counter nut
44735
Countersunk screw M 2.5 x 5, VA
44826
Air piston head
44834
Air piston rod
6395
CCS Clips, green, blue, red, black packing unit 4 pieces)
64972
Adjustment screw for air micrometer
79905
Paint needle packing



Tool kit

125856
Universal spanner, Cleaning brush, Extraction tool,
Wrench



Repair kit

- 126284
Repair kit
- 50658
Sealing kit

SATAjet H



Technical Data	SATAjet H
Recommended air inlet pressure	4,0 bar
air inlet pressure field of application	4,0 bar
Recommended spraying distance	18 - 23 cm
Air consumption	380 NI/min

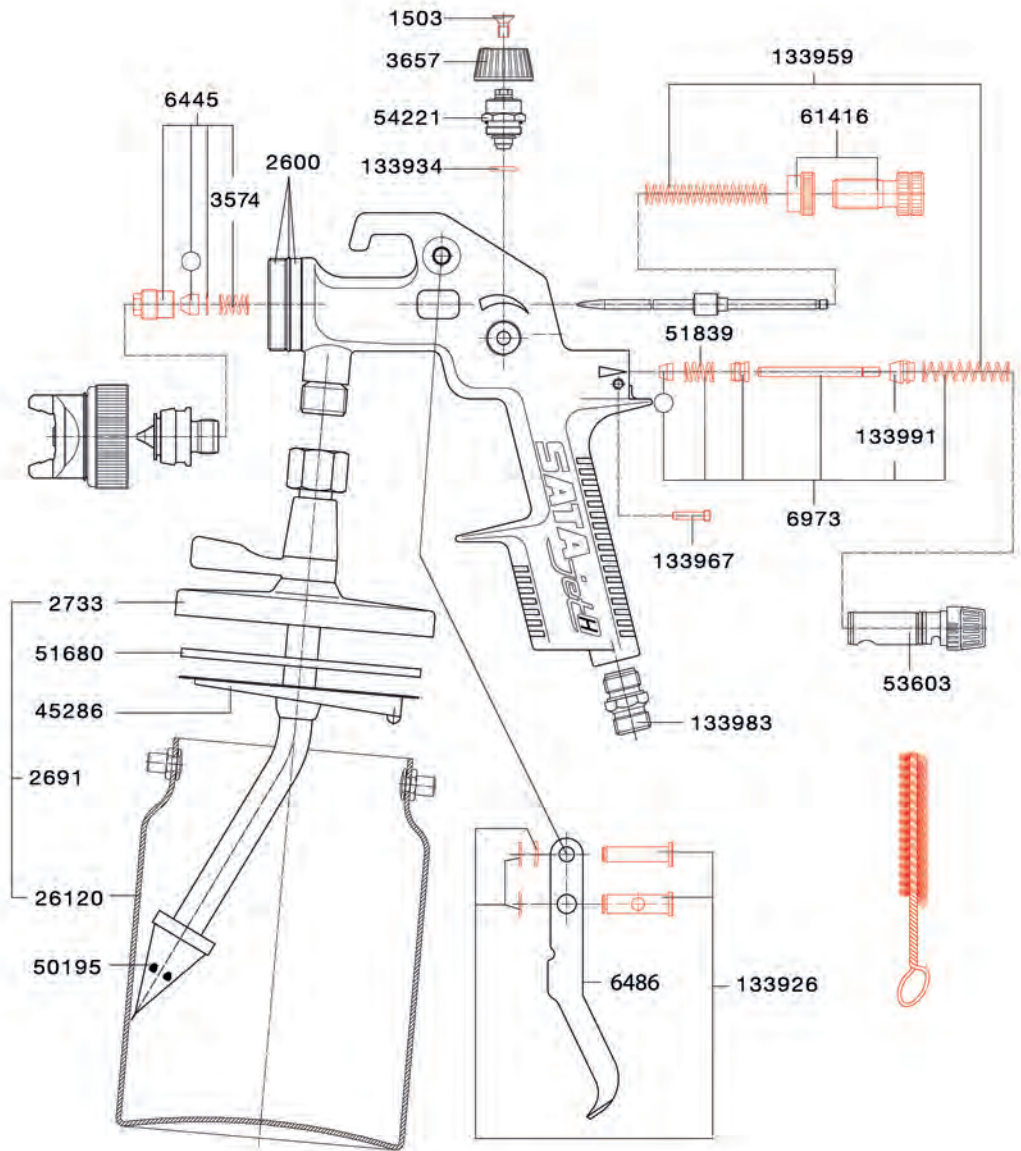


1,5 E	MSH	2,0 E
Spray gun with 1.0 l aluminium suction cup		
23721	23747	23739
Nozzle set		
23663	23697	23689

SPRAY GUNS
CUP SYSTEMS
BREATHING PROTECTION
FILTER TECHNOLOGY
ADDITIONAL PRODUCTS
MERCHANDISING ITEMS

Spare parts
SATAjet H

133926
Trigger sleeve kit
133934
Sealing (packing unit 3 pieces) for spindle
133959
Pressure spring (3 pieces) for paint needle and air piston
133967
Adjustment screw (packing unit 3 pieces) for air micrometer
133983
Air connection piece 1/4" male thread
133991
Air piston head (packing unit 3 pieces)
1503
Countersunk screw M4 x 8 DIN 965, stainless steel, for micrometer und round/flat spray control
2600
Service unit for nozzle insert for SATAjet/B, H, K and NR 92, consisting of nozzle insert, distribution plate and sealing ring
26120
1.0 l aluminium suction cup, without lid
2691
1.0 l aluminium suction cup, cpl.
2733
Lid fitting
3574
Pressure spring for
3657
Control knob
45286
Anti-drip device (pack of 4 pieces)
50195
Strainer (packing unit 2 pieces)
51680
Sealing ring (packing unit 4 pieces)
51839
Pressure spring (packing unit 12 pieces) for air piston packing
53603
Air micrometer
54221
Spindle complete, for SATAjet/90, SATAjet, regulation valve and MC-B
61416
Material flow control with counter nut
6445
Paint needle packing
6486
Trigger kit
6973
Air piston servicing unit



Tool kit

9654
Universal spanner, Cleaning brush, Allen wrench 4 mm width, Allen wrench 2 mm width, Paint strainer, Socket wrench 7 mm width



Repair kit

70623
Repair kit

50666
Sealing kit

SATA spray master RP



Technical Data	RP
Recommended air inlet pressure	2,0 bar
air inlet pressure field of application	1,0 - 2,0 bar
Recommended spraying distance	17 - 21 cm
Air consumption	230 NI/min

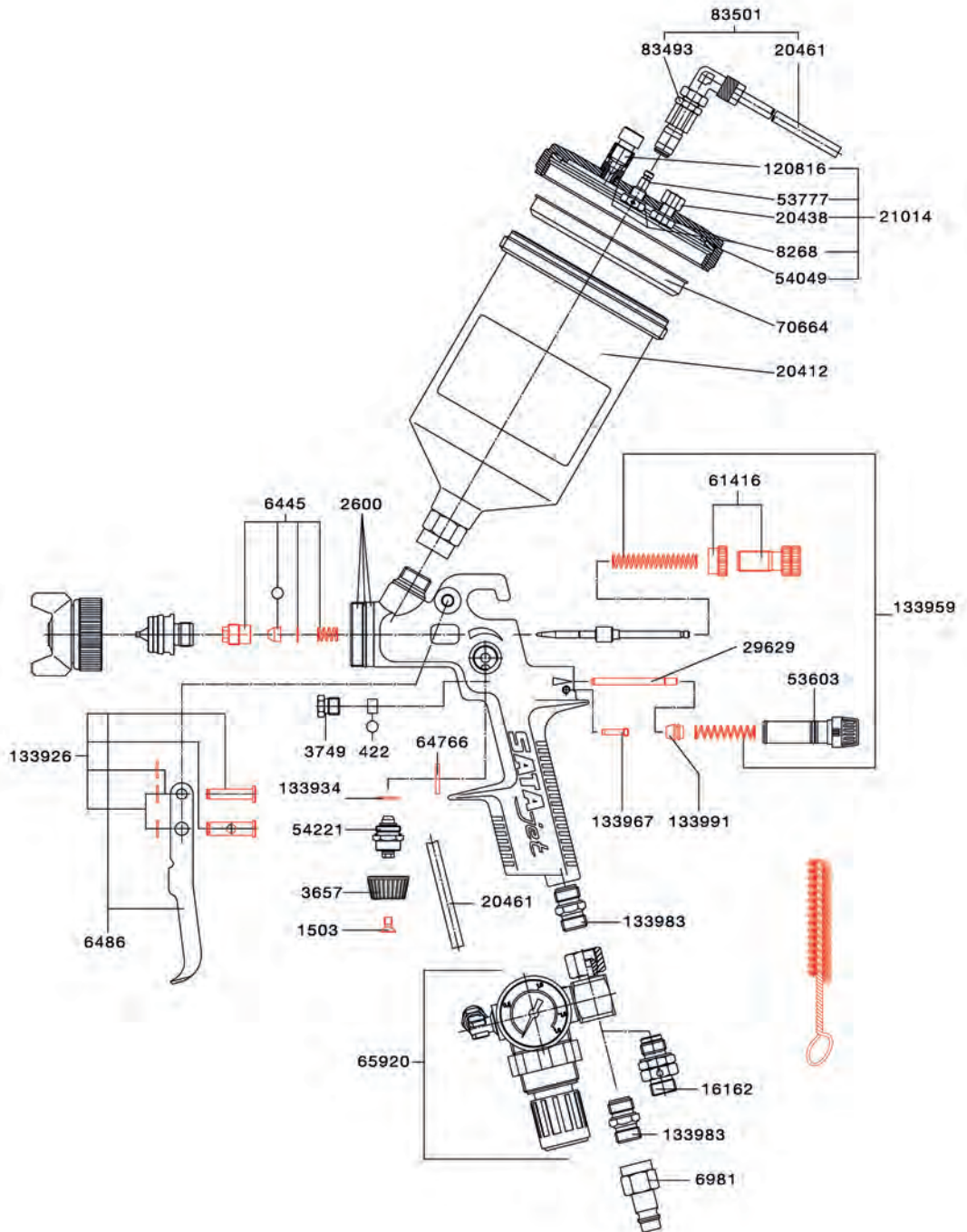


	SM W	1,7 W	2,0 W
Spray gun			
RP	72900	73734	74120
Nozzle set			
RP	77982	73791	78279

SPRAY GUNS
CUP SYSTEMS
BREATHING PROTECTION
FILTER TECHNOLOGY
ADDITIONAL PRODUCTS
MERCHANDISING ITEMS

Spare parts
SATA spray
master RP

120816
Pressure release screw (packing unit 2 pieces)
133926
Trigger sleeve kit
133934
Sealing (packing unit 3 pieces) for spindle
133959
Pressure spring (3 pieces) for paint needle and air piston
133967
Adjustment screw (packing unit 3 pieces) for air micrometer
133983
Air connection piece 1/4" male thread
133991
Air piston head (packing unit 3 pieces)
1503
Countersunk screw M4 x 8 DIN 965, stainless steel, for micrometer und round/flat spray control
16162
Swivel joint
20412
0.7 l pressure pot, aluminium without lid
20438
Safety pressure relief valve BVD
20461
Plastic air hose for BVD and agitator cup
21014
Aluminium lid, cpl.
2600
Service unit for nozzle insert for SATAjet/B, H, K and NR 92, consisting of nozzle insert, distribution plate and sealing ring
29629
Air piston rod
3657
Control knob
3749
Stuffing box for air piston SATAjet, KL, HKD and MC-B
422
Gasket for air piston
53603
Air micrometer
53777
Air connection for aluminium lid
54049
Sealing ring (packing unit 4 pieces)
54221
Spindle complete, for SATAjet/90, SATAjet, regulation valve and MC-B
61416
Material flow control with counter nut
6445
Paint needle packing
64766
Washer
6486
Trigger kit
65920
Control fittings, complete, for BVD pressurized cup connection kit (GR and LM)
6981
SATA quick coupling nipple G 1/4" (female thread) (packing unit 5 pieces)
70664
Anti-drip device (packing unit 10 pieces)
8268
Sealing ring
83493
Connection for pressurised cup, cpl.
83501
Air hose cpl. w. pressurized cup connection, for SATA Spray-Master



Tool kit

9654
Universal spanner, Cleaning brush, Allen wrench 4 mm width, Allen wrench 2 mm width, Paint strainer, Socket wrench 7 mm width



Repair kit

70623
Repair kit

9829
Sealing kit

73254
Repair kit for control fitting

SATAjet 20 B



Technical Data	SATAjet 20 B
Recommended air inlet pressure	1,0 bar
Air consumption	40 NI/min
Recommended spraying distance	variabel



0,2	0,35	0,5	0,8	1,0
-----	------	-----	-----	-----

Spray gun with 65 ml plastic cup

65078	65581	65649	66316	69229
-------	-------	-------	-------	-------

Spray gun with 65 ml plastic cup, glass plug-on cup and 3 glass jars with blank lid

86181	86199	86207	86215	86223
-------	-------	-------	-------	-------

Nozzle set

60459	60640	61200	61341	61523
-------	-------	-------	-------	-------

SATAjet 20 B 0,2 fineline

189035

SATAjet 20 B nozzle 0.2 fineline, 65 ml reusable plastic cup

189043

Nozzle set SATAjet 20 B fineline 0.2

SATAjet 20 B design set

90381

SATAjet 20 B design set 0.5 with accessories in case



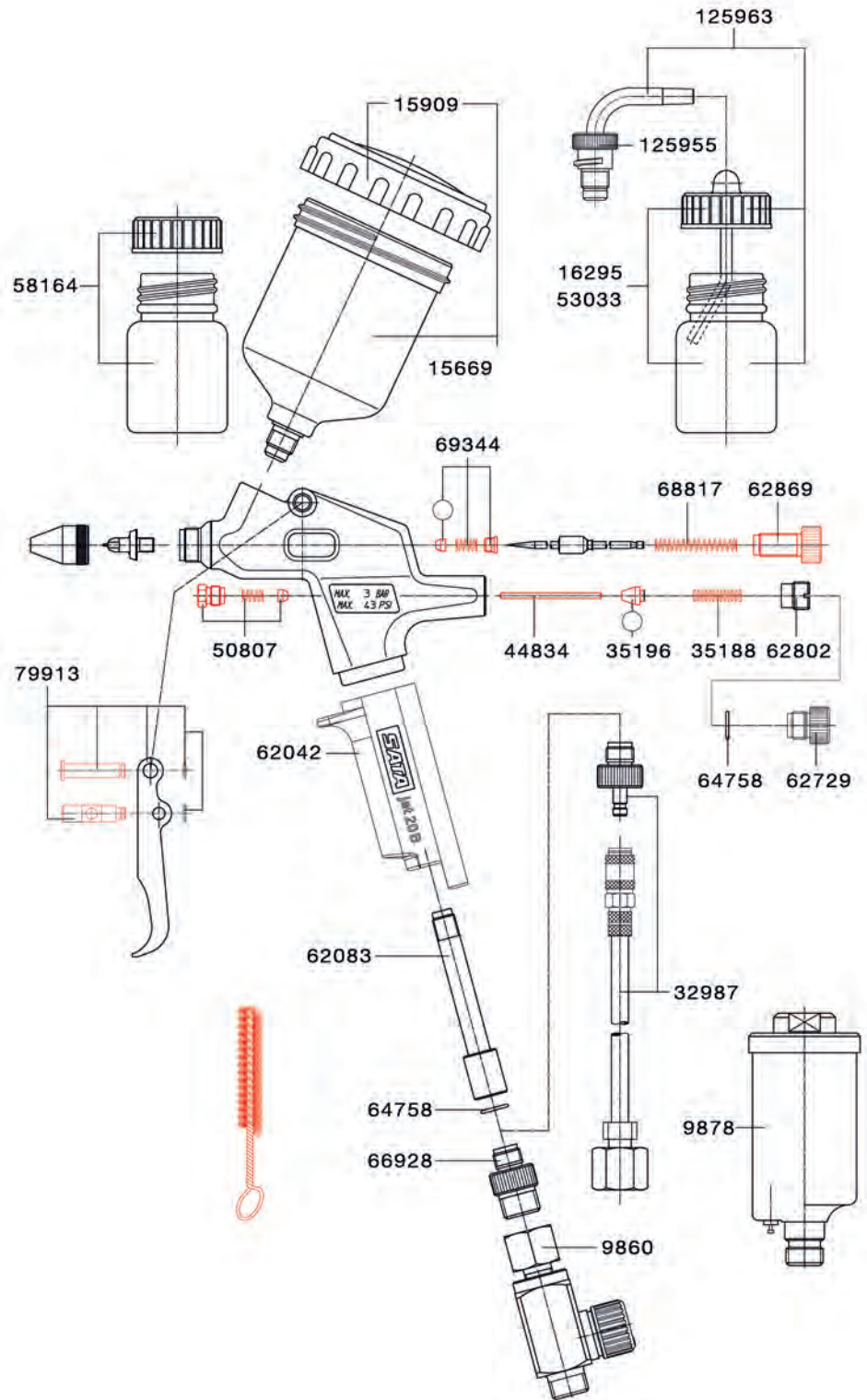
Completely assembled air hoses see SATA hoses.

Line thicknesses SATAjet 20 B

0.2 mm		Nozzle set fineline 0.2
0.6 mm		Nozzle set 0.2
0.8 mm		Nozzle set 0.35
1.1 mm		Nozzle set 0.5
1.5 mm		Nozzle set 0.8
1.9 mm		Nozzle set 1.0

Spare parts
SATAjet 20 B

125955	Plug-in cup connection with QCC SATAjet 20 B, dekor 2000, minijet 3000 B HVLP, minijet 4 HVLP
125963	25 ml glass cup with plug-in lid (packing unit 5 pieces) and QCC plug-in connection (packing unit 1 piece)
15669	65 ml PVC reusable cup, cpl.
15909	PVC screw-on lid 65 ccm PVC cup SATAjet 20 B, dekor 2000
16295	25 ml glass cup with plug-in cup
32987	SATA PVC compressed air hose, transparent, 3 m long with G 1/4" (female thread), mini quick coupling and nipple
35188	Pressure spring for air piston
35196	Air piston head
44834	Air piston rod
50807	Service unit air piston rod SATAjet 20 B, dekor 2000, minijet 3 HVLP
53033	25 ml glass cup with plug-in cup (packing unit 5 pieces)
58164	25 ml glass cup with blind lid (packing unit 5 pieces)
62042	Spray gun handle SATAjet 20 B, dekor 2000
62083	Air pipe
62729	Closing screw SATAjet 20 B, dekor 2000
62802	Compression screw 1/8" (male thread)
62869	Material flow control screw
64758	O-ring
66928	Air connection 1/8" (male thread) - 1/4" (male thread)
68817	Pressure spring for paint needle
69344	Paint needle packing
79913	Trigger kit
9860	SATA air micrometer 0-845, 1/4" (male thread) and G 1/4" (female thread)
9878	SATA mini filter 1/4" (male thread)



Tool kit

9373
Universal spanner, Cleaning brush, Hexagonal screwdriver



Repair kit

- 91165
Repair kit
- 69427
Sealing kit

SATAglyph 1



Technical Data	SATAglyph 1
Recommended air inlet pressure	variabel
Air consumption	10 NI/min
Recommended spraying distance	variabel



SATAglyph 1 - The Starter Model (each with aluminium case)

134544
SATAglyph 1 0.25 with 2.5 ml gravity flow cup, in aluminium case, without hose



139568
SATAglyph 1 0.25 with 5 ml suction cup, in aluminium case, without hose

141408
SATAglyph 1 0.45 with 5 ml suction cup, in aluminium case, without hose

0,25	0,45
------	------

Nozzle set SATAglyph 1

134619	134635
--------	--------

Spare parts

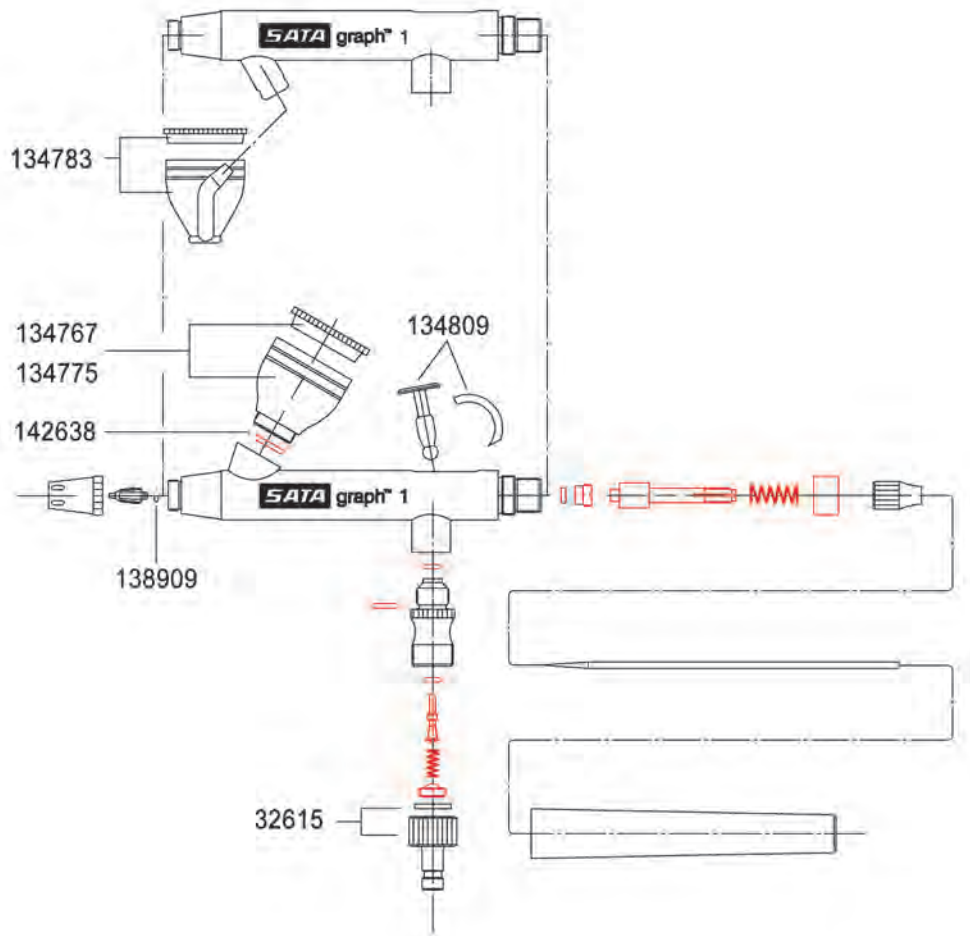
SATAglyph 1

134767	2.5 ml gravity flow cup, cpl.
134775	5 ml gravity flow cup, cpl.
134783	5 ml suction cup, cpl.
134809	Trigger
138909	O-ring (packing unit 5 pieces)
142638	O-Ring (packing unit 5 pieces)
32615	Coupling nipple (packing unit 3 pieces)

Hoses and nipples

SATAglyph 1

32615	Coupling nipple (packing unit 3 pieces)
32987	SATA PVC compressed air hose, transparent, 3 m long with G 1/4" (female thread), mini quick coupling and nipple
134791	SATA Fibre air hose, 2.5 m long with G 1/4" (female thread), mini quick coupling



Repair kit

134841	Repair kit
--------	------------

SATAglyph 3



Technical Data	SATAglyph 3
Recommended air inlet pressure	variabel
Air consumption	10 NI/min
Recommended spraying distance	variabel



SATAglyph 3 - Premium Airbrush for Professionals (each with aluminium case)

134577

SATAglyph 3 0.25 with 5 ml siphon cup, PVC air hose 3 m with mini quick coupling and G 1/4" (female thread)



134585

SATAglyph 3 0.25 with 5 ml siphon cup, in aluminium case, without hose

134551

SATAglyph 3 0.25 with 2.5 ml gravity flow cup, PVC air hose 3m with mini quick coupling and G 1/4" (female thread)

134569

SATAglyph 3 0.25 with 2.5 ml gravity flow cup, in aluminium case, without hose

0,15

0,25

0,45

0,65

Nozzle set SATAglyph 3

134643

134650

134668

134676

Spare parts

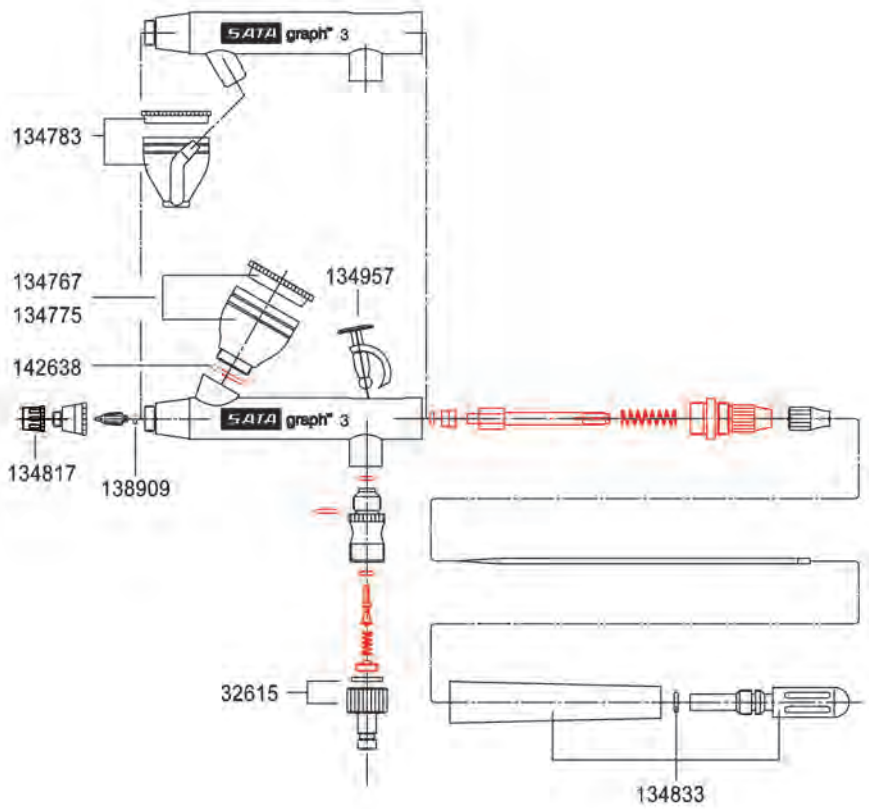
SATAglyph 3

134767	2.5 ml gravity flow cup, cpl.
134775	5 ml gravity flow cup, cpl.
134783	5 ml suction cup, cpl.
134817	Needle cap
134833	Grip end piece
134957	Trigger
138909	O-ring (packing unit 5 pieces)
142638	O-Ring (packing unit 5 pieces)

Hoses and nipples

SATAglyph 3

32615	Coupling nipple (packing unit 3 pieces)
32987	SATA PVC compressed air hose, transparent, 3 m long with G 1/4" (female thread), mini quick coupling and nipple
134791	SATA Fibre air hose, 2.5 m long with G 1/4" (female thread), mini quick coupling



Repair kit

134858	Repair kit
--------	------------

SATAglyph 4



Technical Data	SATAglyph 4
Recommended air inlet pressure	variabel
Air consumption	10 NI/min
Recommended spraying distance	variabel



SATAglyph 4 - The Universal Airbrush (in the plastic box)

227629

SATAglyph 4 nozzle 0.5 with 7 ml standard cup



227645

SATAglyph 4 nozzle 0.5 with 6 ml suction cup

227637

SATAglyph 4 nozzle 0.5 with 7 ml side cup

0,5

Nozzle set

227363

Spare parts

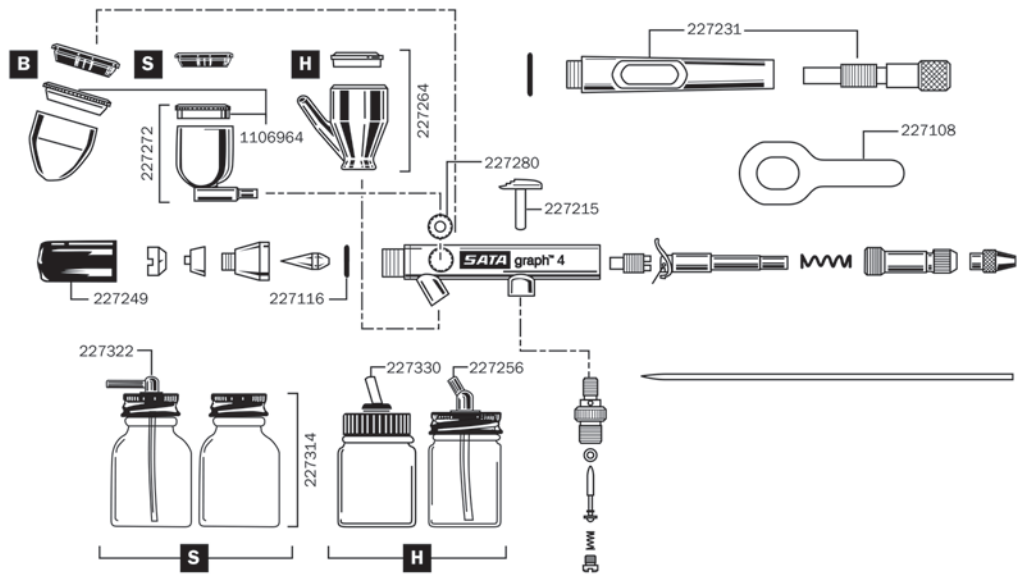
SATAglyph 4

227108
Wrench for nozzle head
227116
O-Ring (packing unit 5 pieces)
227215
Trigger
227231
Handle end piece, complete
227249
Protection cap for paint needle
227256
23 ml glass cup, cpl.
227264
6 ml metal suction cup, cpl.
227272
7 ml metal side cup, cpl.
227280
Plug for material supply from the side, red
227306
Lid for metal paint cup, side cup and gravity flow cup version
227314
30 ml glass cup, cpl. with neutral lid
227322
30 ml glass cup, cpl.
227330
23 ml glass cup, cpl. with Fast Blast

Hoses and nipples

SATAglyph 4

32615
Coupling nipple (packing unit 3 pieces)
32987
SATA PVC compressed air hose, transparent, 3 m long with G 1/4" (female thread), mini quick coupling and nipple
134791
SATA Fibre air hose, 2.5 m long with G 1/4" (female thread), mini quick coupling



Extensions for SATAjet 1000 B RP

Standard nozzle

154211

Extension with standard nozzle (0°), 20 cm with nozzle set 1.6 RP for SATAjet 1000 B RP



154229

Extension with standard nozzle (0°), 30 cm with nozzle set 1.6 RP for SATAjet 1000 B RP

154237

Extension with standard nozzle (0°), 40 cm with nozzle set 1.6 RP for SATAjet 1000 B RP

Diagonal spray nozzle

154252

Extension with diagonal spray nozzle (30°), 20 cm with nozzle set 1.6 RP for SATAjet 1000 B RP



154260

Extension with diagonal spray nozzle (30°), 30 cm with nozzle set 1.6 RP for SATAjet 1000 B RP

154278

Extension with diagonal spray nozzle (30°), 40 cm with nozzle set 1.6 RP for SATAjet 1000 B RP

178533

Extension with diagonal spray nozzle (30°), swiveling, 40 cm with nozzle set 1.6 RP for SATAjet 1000 B RP, preferably with BVD pressurized cup

185520

Extension with diagonal spray nozzle (30°), swivelling, 20 cm with nozzle set 1.6 RP for SATAjet 1000 B RP, preferably with BVD pressurized cup

Angular head nozzle

154294

Extension with angular head nozzle (90°), 20 cm with nozzle set 1.6 RP for SATAjet 1000 B RP



154302

Extension with diagonal spray nozzle (90°), 30 cm with nozzle set 1.6 RP for SATAjet 1000 B RP

154310

Extension with angular head nozzle (90°), 40 cm with nozzle set 1.6 RP for SATAjet 1000 B RP

Rotary nozzle

196162

Extension with rotary nozzle (360°), 20 cm with nozzle set 1.6 RP for SATAjet 1000 B RP, function exclusively with SATA BVD pressurized cup



196170

Extension with rotary nozzle (360°), 30 cm with nozzle set 1.6 RP for SATAjet 1000 B RP, function exclusively with SATA BVD pressurized cup

196188

Extension with rotary nozzle (360°), 40 cm with nozzle set 1.6 RP for SATAjet 1000 B RP, function exclusively with SATA BVD pressurized cup

Extensions for SATAjet 1000 K RP

Standard nozzle

154435

Extension with standard nozzle (0°), 20 cm with nozzle set 1.5 RP for SATAjet 1000 K RP



154443

Extension with standard nozzle (0°), 30 cm with nozzle set 1.5 RP for SATAjet 1000 K RP

154450

Extension with standard nozzle (0°), 40 cm with nozzle set 1.5 RP for SATAjet 1000 K RP

Diagonal spray nozzle

154476

Extension with diagonal spray nozzle (30°), 20 cm with nozzle set 1.6 RP for SATAjet 1000 K RP



154484

Extension with diagonal spray nozzle (30°), 30 cm with nozzle set 1.6 RP for SATAjet 1000 K RP

154492

Extension with diagonal spray nozzle (30°), 40 cm with nozzle set 1.6 RP for SATAjet 1000 K RP

Angular head nozzle

154559

Extension with angular head nozzle (90°), 20 cm with nozzle set 1.5 RP for SATAjet 1000 K RP



154567

Extension with angular head nozzle (90°), 30 cm with nozzle set 1.6 RP for SATAjet 1000 K RP

154575

Extension with angular head nozzle (90°), 40 cm with nozzle set 1.5 RP for SATAjet 1000 K RP

Rotary nozzle

154518

Extension with rotary nozzle (360°), 20 cm with nozzle set 1.6 RP for SATAjet 1000 K RP



154526

Extension with rotary nozzle (360°), 30 cm with nozzle set 1.6 RP for SATAjet 1000 K RP

154534

Extension with rotary nozzle (360°), 40 cm with nozzle set 1.6 RP for SATAjet 1000 K RP

SPRAY GUNS
CUP SYSTEMS
BREATHING PROTECTION
FILTER TECHNOLOGY
ADDITIONAL PRODUCTS
MERCHANDISING ITEMS

Article

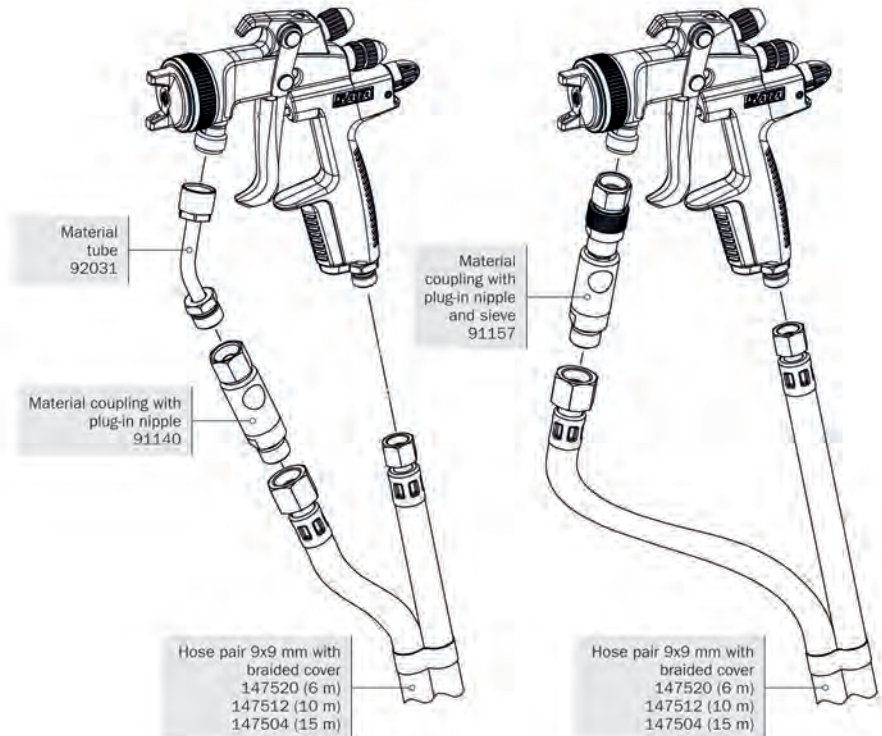
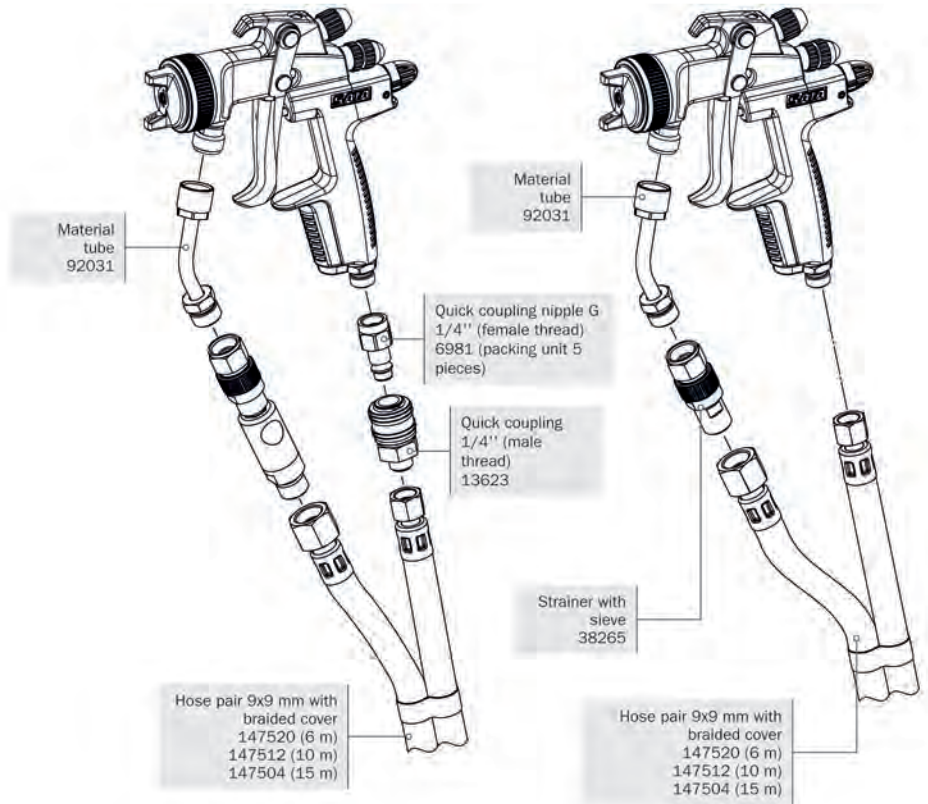
**Material and air connection
SATAjet 3000 K,
1000 K**

13623	SATA quick coupling 1/4" (male thread)
147504	SATA hose pair 9 x 9 mm, 15 m, with covering fabric netting, G 3/8" and G 1/2" (material), G 1/4" (air) (female thread)
147512	SATA hose pair 9 x 9 mm, 10 m, with covering fabric netting, G 3/8" and G 1/2" (material), G 1/4" (air) (female thread)
147520	SATA hose pair 9 x 9 mm, 6 m, with covering fabric netting, G 3/8" and G 1/2" (material), G 1/4" (air) (female thread)
38265	SATA paint strainer 60 msh, G 3/8" (female thread) and 3/8" (male thread)
6981	SATA quick coupling nipple G 1/4" (female thread) (packing unit 5 pieces)
91140	SATA material coupling 3/8" (male thread) with plug-in nipple G 3/8" (female thread)
91157	SATA material coupling 3/8" (male thread) with plug-in nipple G 3/8" (female thread) and material strainer 60 msh
92031	SATA paint tube G 3/8" (female thread) - 3/8" (male thread)

Spare sieves

**Material and air connection
SATAjet 3000 K,
1000 K**

12260	Sieve 60 msh (packing unit 4 pieces)
12278	Sieve, 100 msh (packing unit 4 pieces)
74856	Strainer kit: Sieve 200 msh (4 pcs.) strainer holder (2 pcs.), screw (1 pcs.)



Article

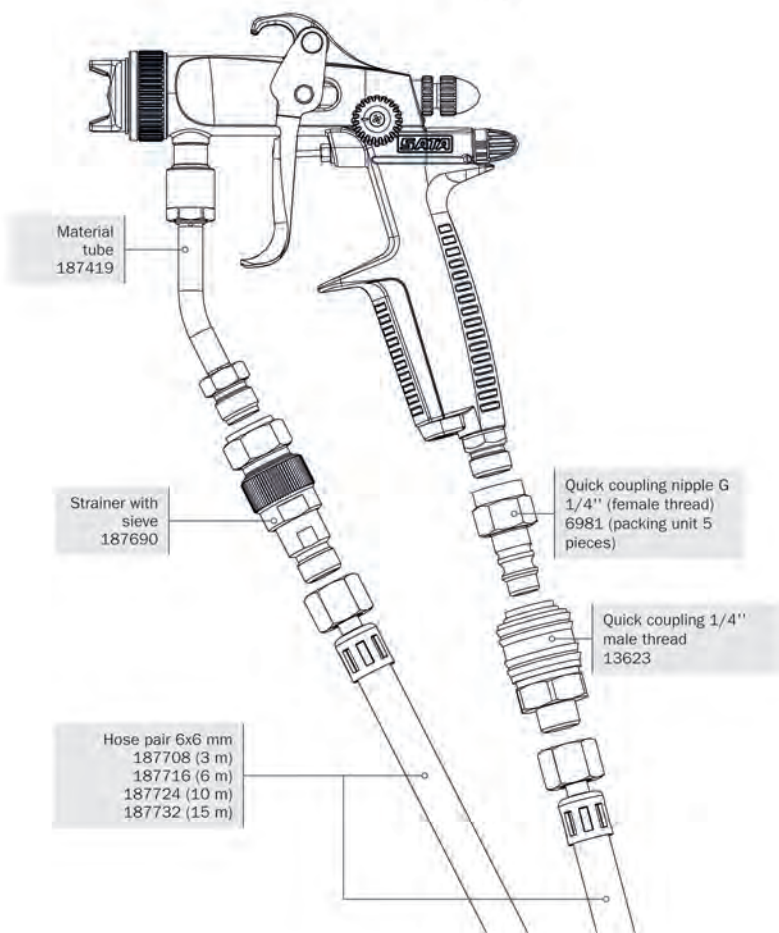
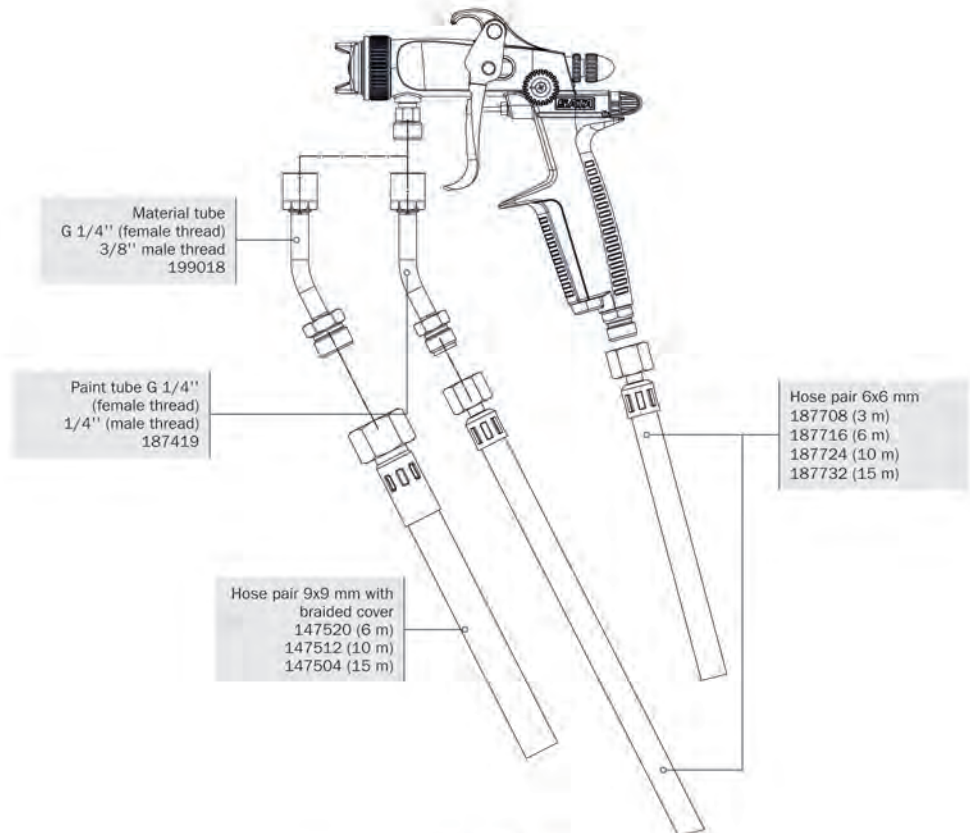
**Material and air connection
SATAmijnjet 1000 K**

13623
SATA quick coupling 1/4" (male thread)
147504
SATA hose pair 9 x 9 mm, 15 m, with covering fabric netting, G 3/8" and G 1/2" (material), G 1/4" (air) (female thread)
147512
SATA hose pair 9 x 9 mm, 10 m, with covering fabric netting, G 3/8" and G 1/2" (material), G 1/4" (air) (female thread)
147520
SATA hose pair 9 x 9 mm, 6 m, with covering fabric netting, G 3/8" and G 1/2" (material), G 1/4" (air) (female thread)
187419
SATA paint tube G 1/4 female thread - 1/4" male thread
187690
SATA paint strainer 60 msh, 1/4" (male thread)
187708
SATA hose pair 6 x 6 mm, 3 m, G 1/4" (female thread) (material and air)
187716
SATA hose pair 6 x 6 mm, 6 m, G 1/4" and G 1/2" (material), G 1/4" (air) (female thread)
187724
SATA hose pair 6 x 6 mm, 10 m, G 1/4" and G 1/2" (material), G 1/4" (air) (female thread)
187732
SATA hose pair 6 x 6 mm, 15 m, G 1/4" and G 1/2" (material), G 1/4" (air) (female thread)
199018
SATA paint tube G 1/4" (female thread) - 3/8" (male thread)
6981
SATA quick coupling nipple G 1/4" (female thread) (packing unit 5 pieces)

Spare sieves

Material and air connection SATA-minijet 1000 K

12260
Sieve 60 msh (packing unit 4 pieces)
12278
Sieve, 100 msh (packing unit 4 pieces)
74856
Strainer kit: Sieve 200 msh (4 pcs.) strainer holder (2 pcs.), screw (1 pcs.)



Spray gun cases



Spray Gun Cases

1079137

SATA case, umbra (47 x 37 x 18 cm), with print "SATAjet X 5500", incl. inserts for 5 spray guns; material: plastic



1086976

Foam inlay, black, for 5 spray guns, incl. cover insert

1080142

SATA case, umbra (30 x 23 x 13 cm), with print "SATAjet X 5500", incl. inserts for 2 spray guns; material: plastic



1056268

Foam insert, black, for 2 spray guns, incl. cover insert

Spray Gun Cases

1098989

SATA case olive-green (52 x 29 x 19 cm) with trolley function, without print, incl. insert for 5 paint spray guns; material: plastic



167692

Foam insert, blue/black for 5 spray guns, without cover insert

212316

SATA case olive-green (33 x 23 x 15 cm), without print, incl. insert for 2 paint spray guns; material: plastic



212332

Foam insert, blue/black for 2 spray guns, incl. cover insert

153288

SATA case, black (63 x 50 x 30 cm) with trolley function, without print, incl. individual insert; Material: plastic



1056565

SATA case, black (30 x 24 x 15 cm), with print "SATA", incl. inserts for 2 paint spray guns; material: plastic



174128

SATA case, silver (45 x 33 x 15 cm), without print, incl. inserts for 5 spray guns; material: aluminium



169706

Foam insert, blue/black for 5 spray guns, incl. cover insert

133355

SATA case, silver (50 x 35 x 200) with trolley function, without print, incl. inserts for 4 spray guns; material: aluminium



133363

Foam insert, pink for 4 spray guns, incl. cover insert

Nozzle sets and spare parts of discontinued gun models

SATAjet 5000 B PHASER | Discontinuation end of 2026

	1,2	1,2 W	1,3	1,3 cc							Euro
RP	1006841	1006859	1006867	1006916							307,60 (3)
	WSB	1,3	1,4	1,5							Euro
HVLP	1006875	1006883	1006891	1006908							312,10 (3)

SATAjet 4000 B NON DIGITAL / DIGITAL | Discontinuation end of 2027

	1,0	1,1	1,2	1,2 W	1,3	1,4	1,6	1,8	2,0	2,5	Euro
RP	166991	167007	167015	167023	167049	167056	167072	167080	168625	168633	195,70 (3)
	1,0	1,2	WSB	1,3	1,4	1,5	1,7	1,9	2,2		Euro
HVLP	166926	166934	166983	166942	166967	166975	168658	168666	168674		200,70 (3)

SATAminijet 3000 B HVLP

	0,3	0,5	0,8	1,0	1,1	0,8 SR	1,0 SR	1,2 SR	1,4 SR		Euro
HVLP	125583	125591	125609	125617	125625						98,40 (3)
HVLP						125682	125690	125708	125716		106,40 (3)

SATAjet B

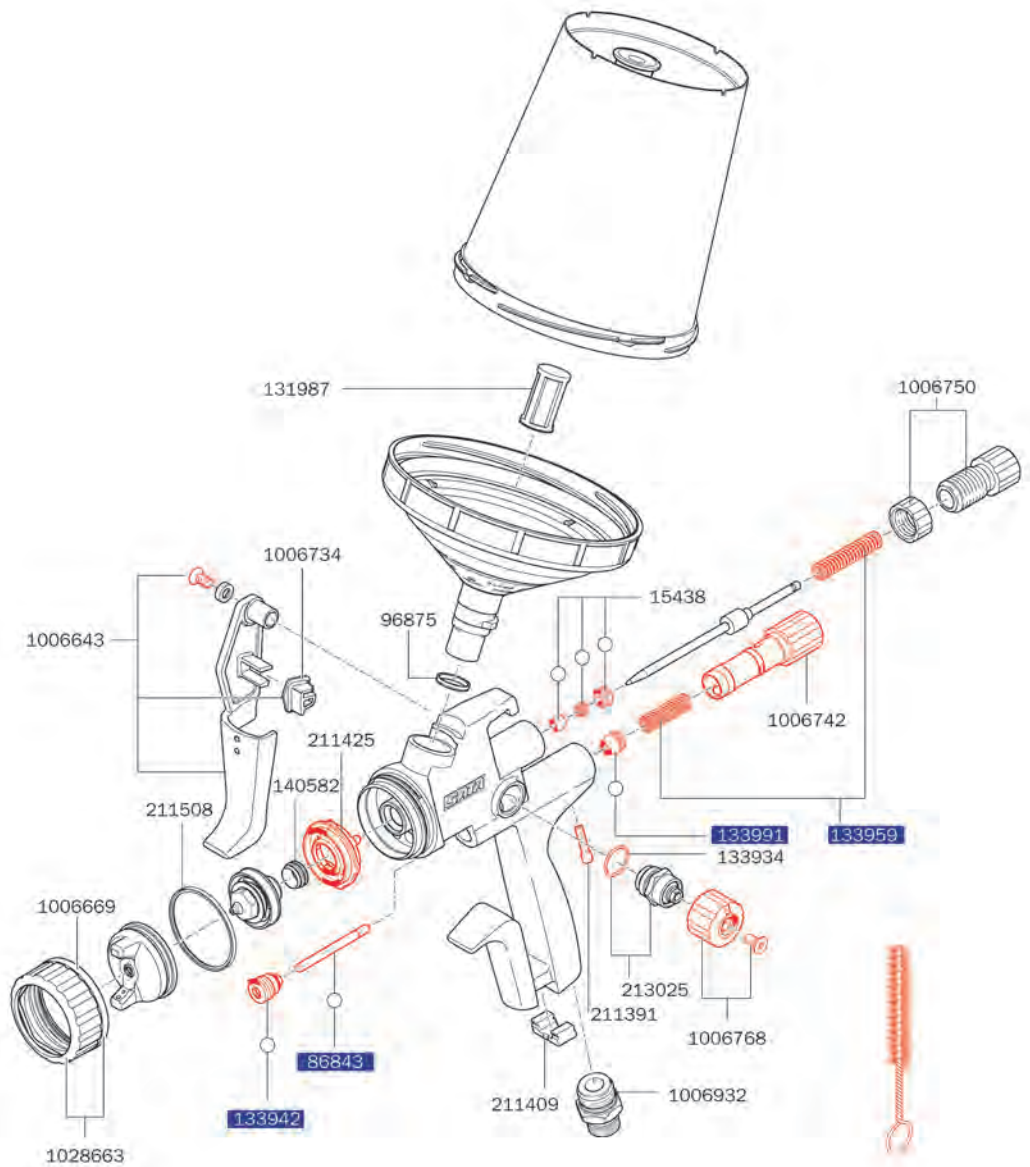
	1,0 E	MSB	1,4 E	1,5 E	1,7 E						Euro
	4143	4127	3848	4119	4101						126,90 (3)

SATAjet GR

	1,3 W	1,5 W	1,7 W	2,0 W	2,5 W	3,0 W					Euro
	31252	31898	31997	4093	13003	13011					126,90 (3)

Spare parts for discontinued spray gun models
SATAjet 5000 B
PHASER

1006643
Trigger kit
1006669
Kit consisting of coloured marking rings (blue, green, black, packing unit each 1 piece)
1006734
Trigger fixing clip
1006742
Air micrometer
1006750
Material flow control with counter nut
1006768
Control knob with screw (packing unit 2 pieces)
1006932
Air connection piece 1/4" male thread
1028663
Air cap ring, cpl. with color marking ring
1097379
Universal spanner (pack of 3 pieces)
131979
Spare flat sieve 125µm, pastel blue (packing unit 100 pieces)
131987
Spare plug-in sieve 200 µm, pastel green (packing unit 100 pieces)
133934
Sealing (packing unit 3 pieces) for spindle
133942
Seal retainer, cpl.
133959
Pressure spring (3 pieces) for paint needle and air piston
133991
Air piston head (packing unit 3 pieces)
140582
Sealing element (packing unit 5 pieces) for fluid tip
15438
Paint needle packing
211391
Locking screw (packing unit 3 pieces) for air micrometer
211409
CCS-Clips, green, blue, red, black (packing unit 4 pieces)
211425
Air distribution ring (packing unit 3 pieces)
211508
Sealing ring (packing unit 5 pieces)
213025
Spindle, cpl., for round / flat spray control
86843
Air piston rod
96875
PVC insert for paint spray guns with QCC cup connection



Tool kit

211524
 Universal spanner, combi tool, cleaning brush, CCS clips, paint strainer



Repair kit

1006809
 Repair kit

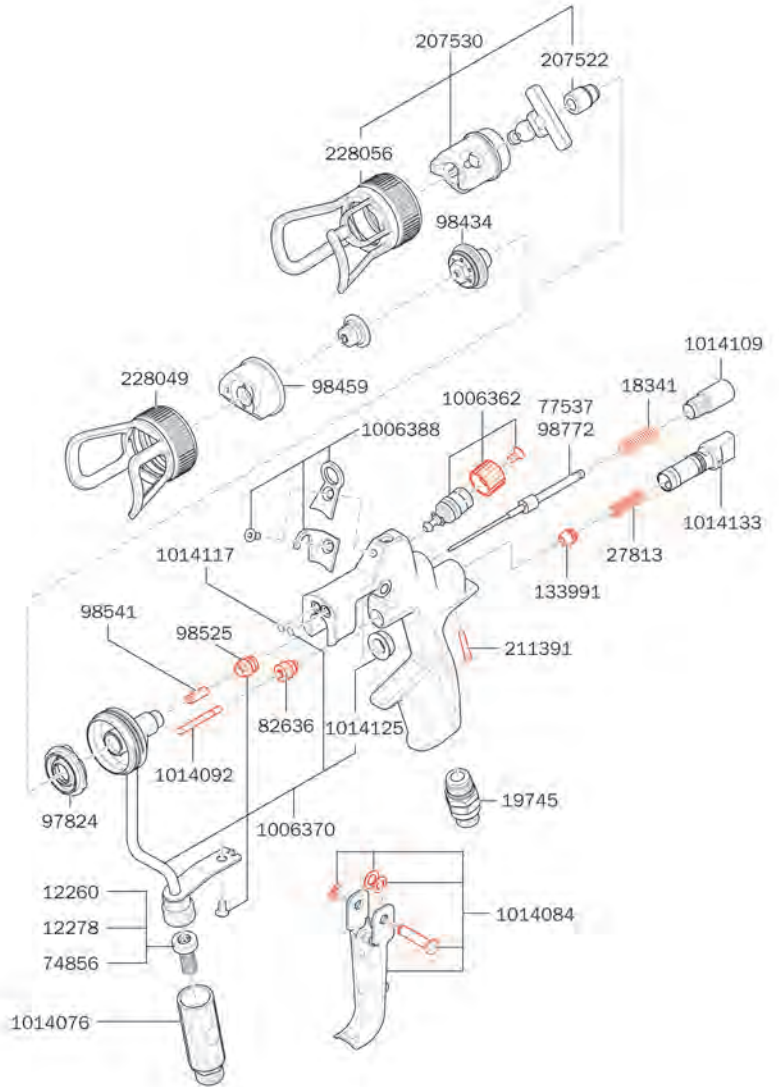
82552
 Air piston service unit

136960
 Sealing kit

SPRAY GUNS
CUP SYSTEMS
BREATHING PROTECTION
FILTER TECHNOLOGY
ADDITIONAL PRODUCTS
MERCHANDISING ITEMS

Spare parts for discontinued spray gun models
SATAjet 4800 K
spray mix

1006362
Round/Flat spray control, cpl.
1006370
Nozzle head and material supply cpl., without filter adapter and swivel joint
1006388
Kit, consisting of gun suspension hook, suspension eye and countersunk screw, each 1 piece
1014076
Material filter housing, cpl. with swivel joint
1014084
Trigger kit
1014092
Air piston rod
1014109
Locking screw
1014117
O-ring nozzle head (packing unit 10 pieces)
1014125
Nozzle head nut
1014133
Air micrometer, cpl.
12260
Sieve 60 msh (packing unit 4 pieces)
12278
Sieve, 100 msh (packing unit 4 pieces)
133991
Air piston head (packing unit 3 pieces)
18341
Pressure spring for paint needle
19745
Swivel joint
207522
Gasket unit inversion switch
207530
Retrofit kit, inversion switch without inversion nozzle
211391
Locking screw (packing unit 3 pieces) for air micrometer
228049
Air cap ring with protection against accidental contact
228056
Air cap ring with protection against accidental contact
27813
Spring for air piston of SATA spray guns except for SATA minijet
74856
Strainer kit: Sieve 200 msh (4 pcs.) strainer holder (2 pcs.), screw (1 pcs.)
77537
Paint needle SATAjet 4800 K spray mix, 3000 K spray mix, jet K3 spray mix without needle tip
82636
Seal retainer, cpl.
97824
Air distribution ring (3 pieces)
98434
Pre-nozzle, cpl. SATA jetK3 Spray mix
98459
Air cap round/flat spray fan
98525
Seal retainer, cpl.
98541
Carbide needle tip
98772
Paint needle with carbide needle tip, cpl.



Tool kit

- 1006966 Universal spanner, Cleaning brush, Extraction tool

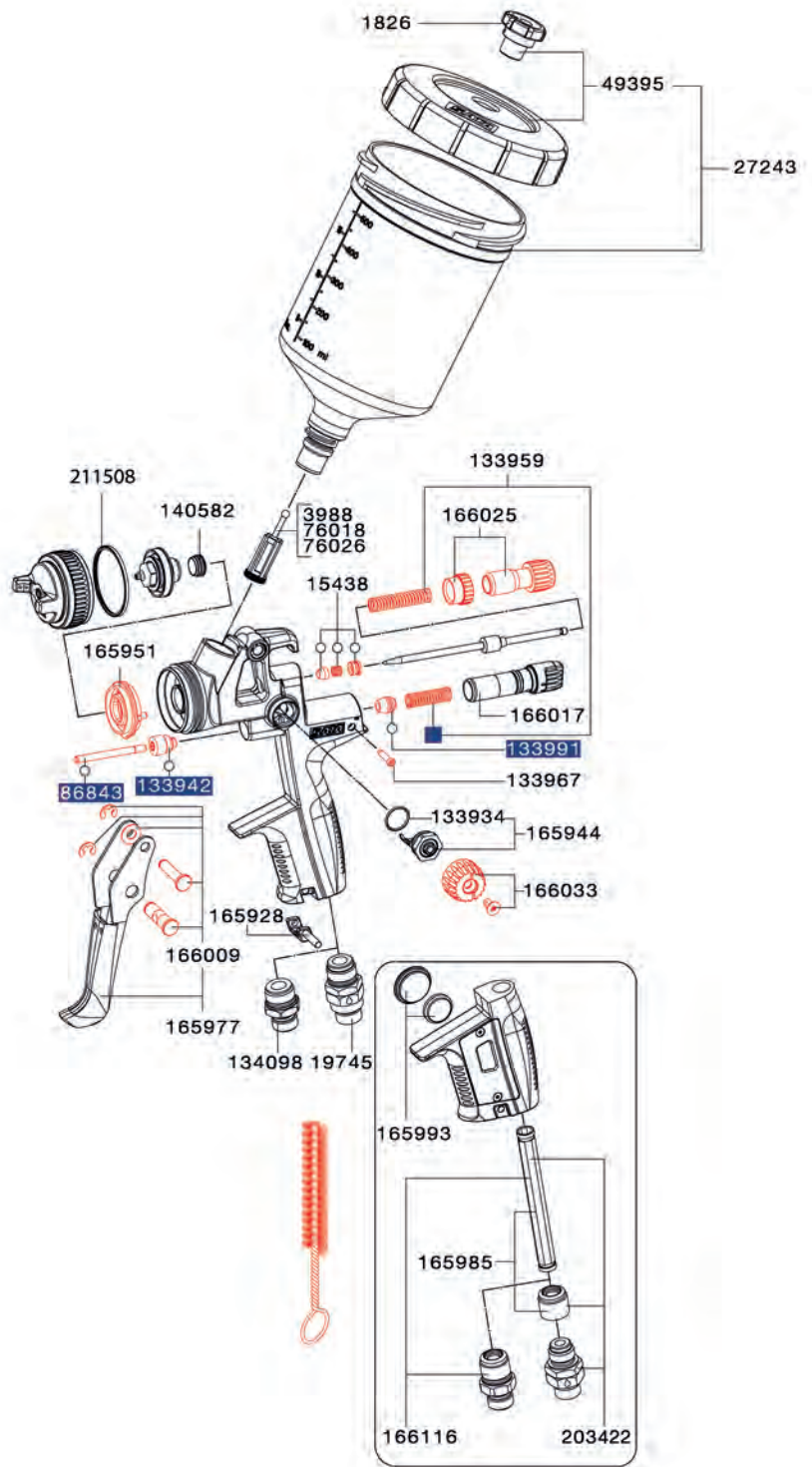


Repair kit

- 1006940 Repair kit
- 30833 Nozzle cleaning kit

Spare parts for discontinued spray gun models
SATAjet 4000 B

133934
Sealing (packing unit 3 pieces) for spindle
133942
Seal retainer, cpl.
133959
Pressure spring (3 pieces) for paint needle and air piston
133967
Adjustment screw (packing unit 3 pieces) for air micrometer
133991
Air piston head (packing unit 3 pieces)
134098
Air connection piece 1/4" (male thread)
140582
Sealing element (packing unit 5 pieces) for fluid tip
15438
Paint needle packing
165928
CCS Clips, green, blue, red, black (packing unit 4 pieces)
165944
Spindle for round/flat spray control >Quarter Turn<
165951
Air distribution ring (packing unit 3 pieces)
165977
Trigger kit
165985
Seal retainer with sleeve
165993
Battery kit
166009
Trigger sleeve kit
166017
Air micrometer
166025
Material flow control with counter nut
166033
Control knob with screw (each 2 pieces)
166116
Air connection with sleeve
172429
Sealing ring (packing unit 5 pieces) [for air cap ring SATAjet 5000 B
1826
Anti-drip device (packing unit 4 pieces)
19745
Swivel joint
203422
Seal retainer with sleeve and swivel joint
27243
Reusable plastic cup, 0.6 l with QCC without fine thread for SATAjet 5000 series, jet 4000 B, jet 3000 B, jet 2000, jet 1000 B, jet 100 B, jet RP, minijet 4400 B
3988
Paint strainer, 300 µm (packing unit 10 pieces)
49395
Screw-on lid for 0.6 l PVC cup with drip-catching ring and non-drip device
76018
Paint strainer, 300 µm (packing unit 100 pieces)
76026
Paint strainer, 300 µm (packing unit 500 pieces)
86843
Air piston rod



Tool kit

165936
 Universal spanner, Combi tool, Cleaning brush,
 Extraction tool, CCS clips, Paint strainer



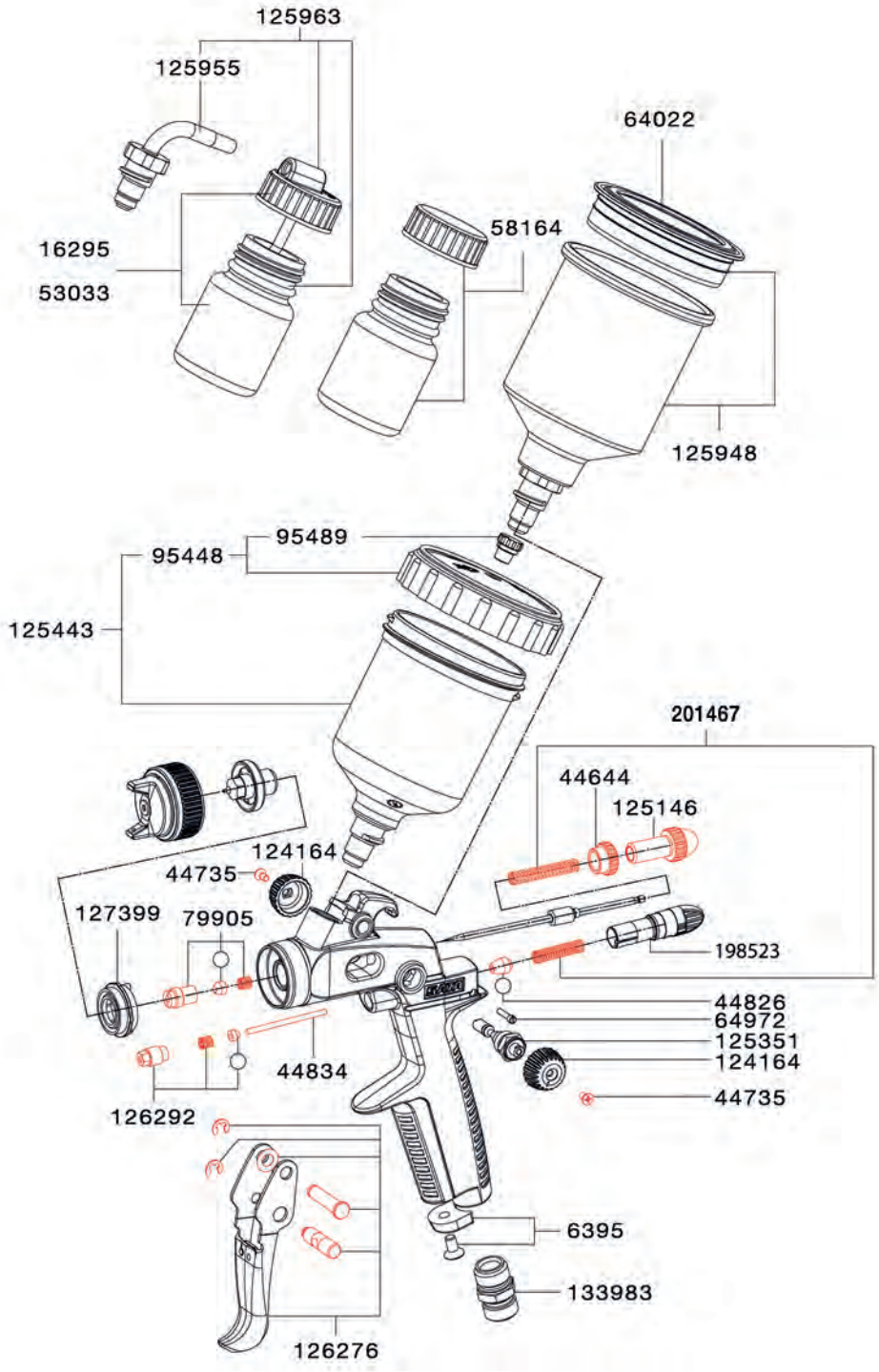
Repair kit

- 166058
Repair kit
- 82552
Air piston service unit
- 136960
Sealing kit

SPRAY GUNS
CUP SYSTEMS
BREATHING PROTECTION
FILTER TECHNOLOGY
ADDITIONAL PRODUCTS
MERCHANDISING ITEMS

Spare parts for discontinued spray gun models
SATAmijet
3000 B HVLP

124164
Control knob
125146
Material flow control screw
125351
Spindle SATAmijet 3000 B HVLP, minijet 4 HVLP
125443
Reusable plastic cup, 0.125 l with QCC and fine thread for SATAmijet spray guns (except minijet 4400 B) and SATAJet 20 B
125948
0.15 l QCC reusable aluminium cup, cpl. for SATAmijet (except minijet 4400) and jet 20 B
125955
Plug-in cup connection with QCC SATAJet 20 B, dekor 2000, minijet 3000 B HVLP, minijet 4 HVLP
125963
25 ml glass cup with plug-in lid (packing unit 5 pieces) and QCC plug-in connection (packing unit 1 piece)
126276
Trigger kit
126292
Packing kit air piston rod SATAmijet 3000 B HVLP, minijet 4 HVLP
127399
Air distribution ring (packing unit 3 pieces)
133983
Air connection piece 1/4" male thread
16295
25 ml glass cup with plug-in cup
198523
Air micrometer, complete
201467
Pressure spring (each 3 pieces) for paint needle and air piston
44644
Counter nut
44735
Countersunk screw M 2.5 x 5, VA
44826
Air piston head
44834
Air piston rod
53033
25 ml glass cup with plug-in cup (packing unit 5 pieces)
58164
25 ml glass cup with blind lid (packing unit 5 pieces)
6395
CCS Clips, green, blue, red, black packing unit 4 pieces)
64022
Plastic lid (3 pieces)
64972
Adjustment screw for air micrometer
79905
Paint needle packing
95448
Screw-on lid 125 ccm PVC cup with anti-drip device
95489
Anti-drip device (4 pieces)



Tool kit

125856
Universal spanner, Cleaning brush, Extraction tool,
Wrench



Repair kit

126284
Repair kit

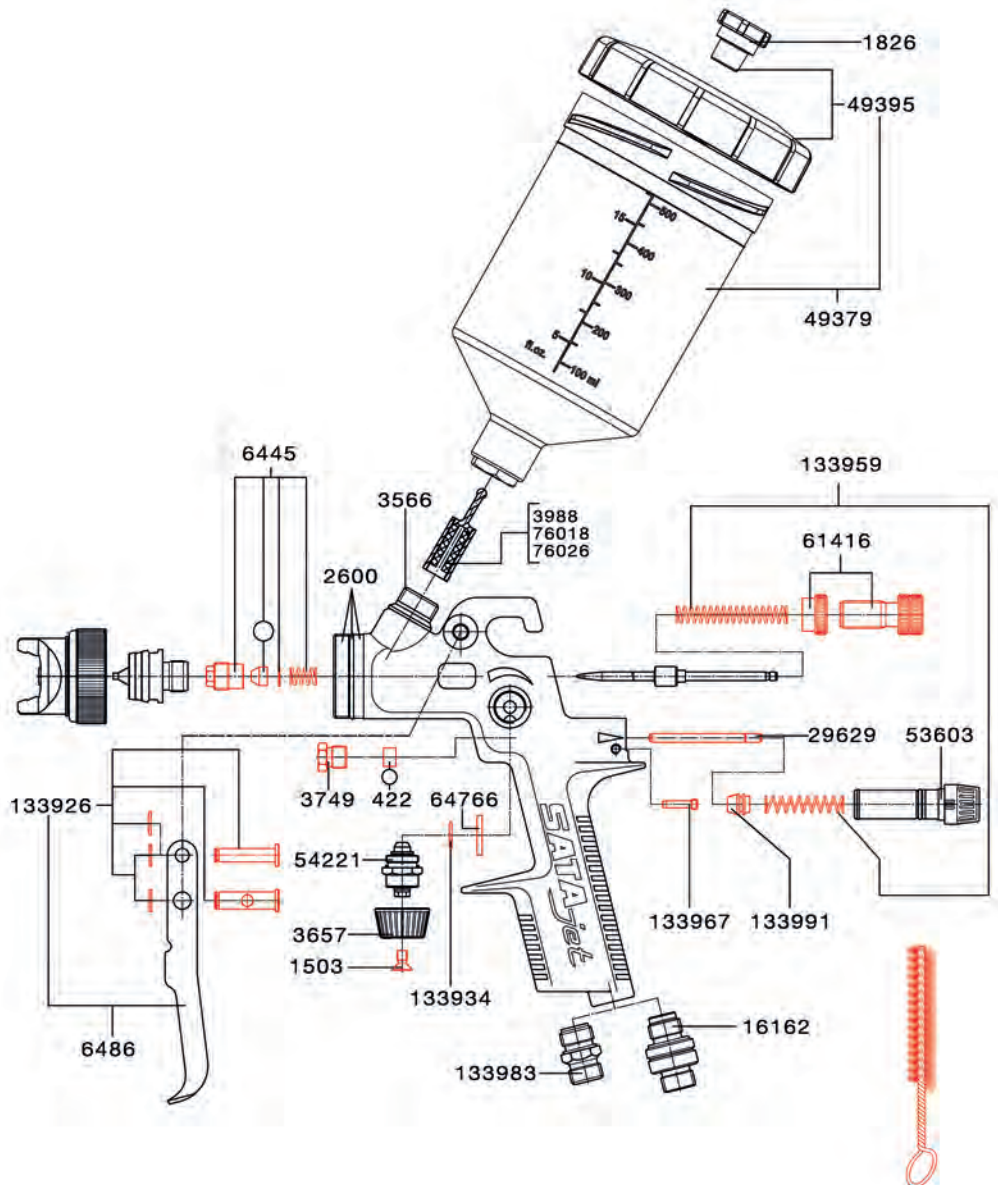
50658
Sealing kit



Spare parts for discontinued spray gun models

**SATAjet B /
SATAjet GR**

133926
Trigger sleeve kit
133934
Sealing (packing unit 3 pieces) for spindle
133959
Pressure spring (3 pieces) for paint needle and air piston
133967
Adjustment screw (packing unit 3 pieces) for air micrometer
133983
Air connection piece 1/4" male thread
133991
Air piston head (packing unit 3 pieces)
1503
Countersunk screw M4 x 8 DIN 965, stainless steel, for micrometer und round/flat spray control
16162
Swivel joint
1826
Anti-drip device (packing unit 4 pieces)
2600
Service unit for nozzle insert for SATAjet/B, H, K and NR 92, consisting of nozzle insert, distribution plate and sealing ring
29629
Air piston rod
3566
Inlet nipple
3657
Control knob
3749
Stuffing box for air piston SATAjet, KL, HKD and MC-B
3988
Paint strainer, 300 µm (packing unit 10 pieces)
422
Gasket for air piston
49379
0.6 l reusable plastic cup, with fine thread cpl. for SATAjet B, jet GR, jet NR 95, jet 3000 LAB, jet 4000 LAB, jet 5000 LAB
49395
Screw-on lid for 0.6 l PVC cup with drip-catching ring and non-drip device
53603
Air micrometer
54221
Spindle complete, for SATAjet/90, SATAjet, regulation valve and MC-B
61416
Material flow control with counter nut
6445
Paint needle packing
64766
Washer
6486
Trigger kit
76018
Paint strainer, 300 µm (packing unit 100 pieces)
76026
Paint strainer, 300 µm (packing unit 500 pieces)



Tool kit

9654
Universal spanner, Cleaning brush, Allen wrench 4 mm width, Allen wrench 2 mm width, Paint strainer, Socket wrench 7 mm width



Repair kit

69666
Repair kit
9829
Sealing kit

SATA adam 2

Technical Data	SATA adam 2
Max. operating pressure	10,0 bar
Max. operating temperature	+60 °C
Display accuracy	+/- 0,05 bar



Available versions

211540

SATA adam 2 >bar< for SATAjet 5000 series



1031723

SATA adam 2 black >bar< for SATAjet 5000 series



160846

SATA adam 2 >bar< for SATA spray guns except for SATAminijet and SATAjet 5000 series



160879

SATA adam 2 mini >bar< for SATAminijet spray guns



195214

SATA adam 2 U (air micrometer with adam 2 display bar)



Spare parts & Accessories

160689

SATA adam 2 display "bar"



1031682

SATA adam 2 black display "bar"




211565



SATA adam 2 dock for SATAjet 5000 series



Spare parts & Accessories

211573 SATA adam 2 dock (packing unit 2 pieces) for SATAjet 5000 series	
160788 SATA adam 2 dock for SATA spray guns except for SATAmijinjet and SATAjet 5000 series	
160796 SATA adam 2 dock (packing unit 2 pieces) for SATA spray guns except for SATAmijinjet and SATAjet 5000 series	
160861 SATA adam 2 mini dock for SATAmijinjet spray guns	
195230 SATA adam 2 U dock (air micrometer 1/4" male thread and G 1/4" female thread with SATA dock)	
195925 SATA dock with 1/8" (male thread)	
162081 SATA dock protect (packing unit 5 pieces) for SATA adam 2	
160739 Battery kit for SATA adam 2	
162164 Locking clip (packing unit 5 pieces) for SATA adam 2	
162172 O-ring (packing unit 2 pieces) for SATA adam 2	
203117 Reducing piece 1/4" (male thread) and G 1/8" (female thread)	

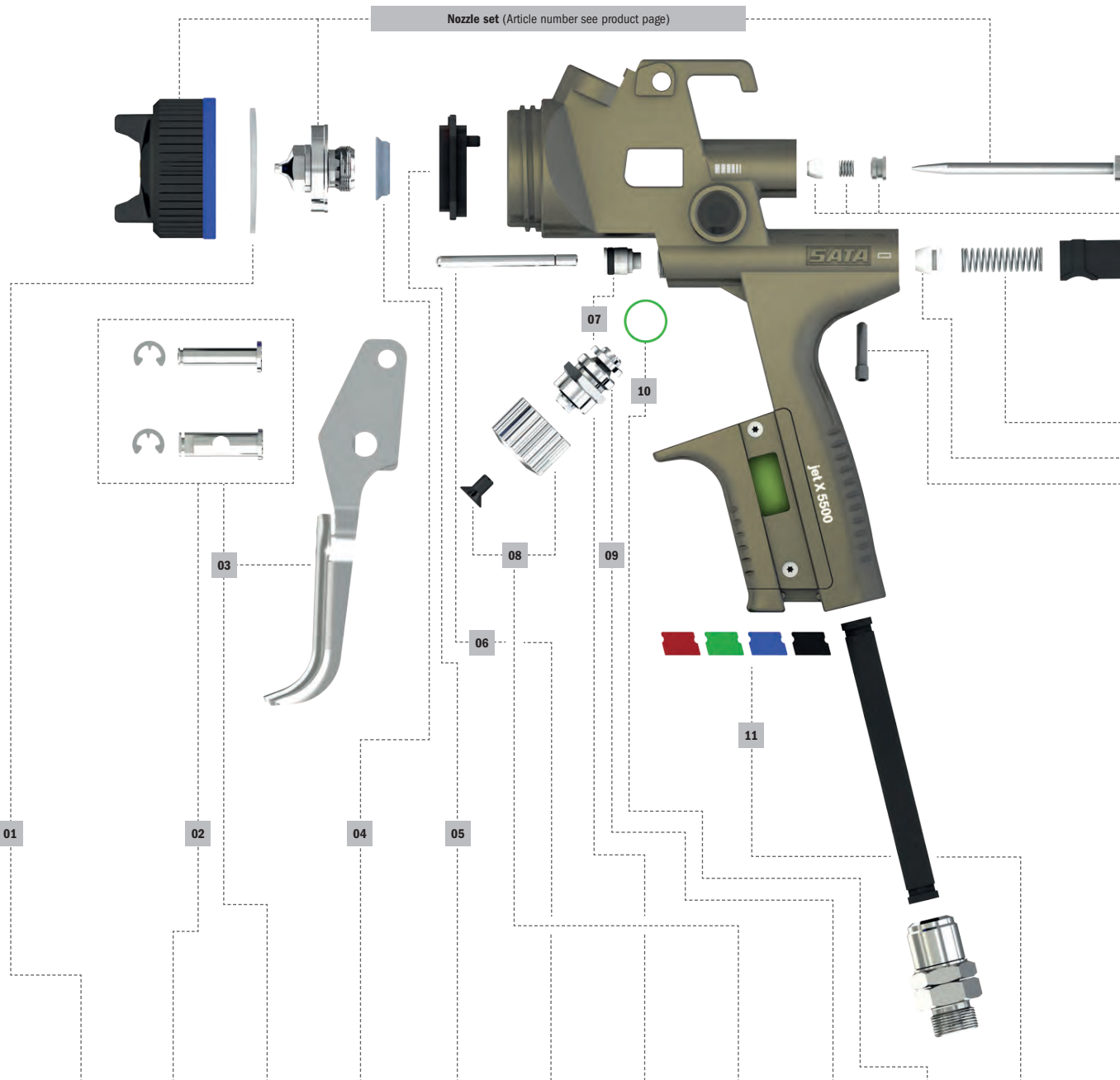
Pressure gauges and micrometer

27771 SATA air micrometer with gauge, 1/4" (male thread) and G 1/4" (female thread)	
4002 Spray pressure control unit	
9860 SATA air micrometer 0-845, 1/4" (male thread) and G 1/4" (female thread)	

All prices are recommended list prices. Errors, technical modifications and printing errors reserved.

	SATAjet X 5500 PHASER SATAjet X 5500 SATAjet 5000 B PHASER SATAjet 5000 B	SATAjet 4000 B	SATAjet 3000 B	SATAjet 1000 B	SATAjet 100 B	SATAjet B, SATAjet GR	SATAmijinjet 4400 B SATAmijinjet 3000 B SATAmijinjet 4	SATA dry jet	Competitor spray guns	Retrofitting micrometer with pressure gauge: #27771	Retrofitting atomisation air control gauge #4002	Filters and systems with G 1/8" female thread
 211540 adam 2	X											
 1031723 adam 2 black												
 160846 adam 2		X	X	X	X	X						
 160879 adam 2 mini							X					
 195214 adam 2 U	X	X	X	X	X	X	X	X	X			
 195925 SATA dock with 1/8" male thread										X	X	X

Spare parts for SATA spray guns with gravity flow cup



	01	02	03	04	05	06	07	08	09	10	11
	Seal ring	Trigger sleeve kit	Trigger kit	Seal element fluid tip	Air distribution ring	Air piston rod	Seal retainer	Control knob	Spindle with seal	Spindle seal	CCS clips

Gun type	01	02	03	04	05	06	07	08	09	10	11
X 5500		211458	211433					1057357			
X 5500 PHASER	211508	-	1092973			86843		1092999	213025		211409
5000 B		211458	211433		211425			211482			
4000 B	172429	166009	165977	140582	165951		133942	166033	165944	133934	165928
100 B											
1000 B	130393	133926	130492		143230	91959		140574	89771		6395
minijet 4400 B	200907	199463	198473	199455	197467	198408	199414	200162	198549	199471	197418

SPRAY GUNS

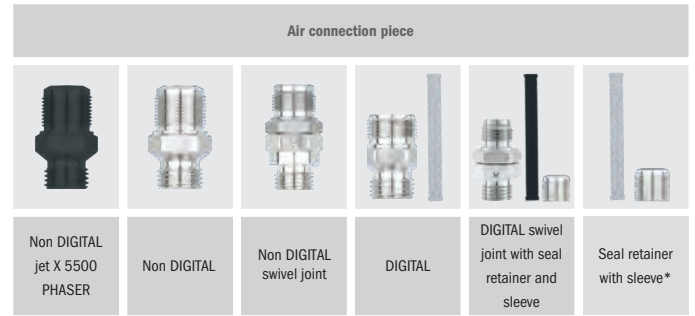
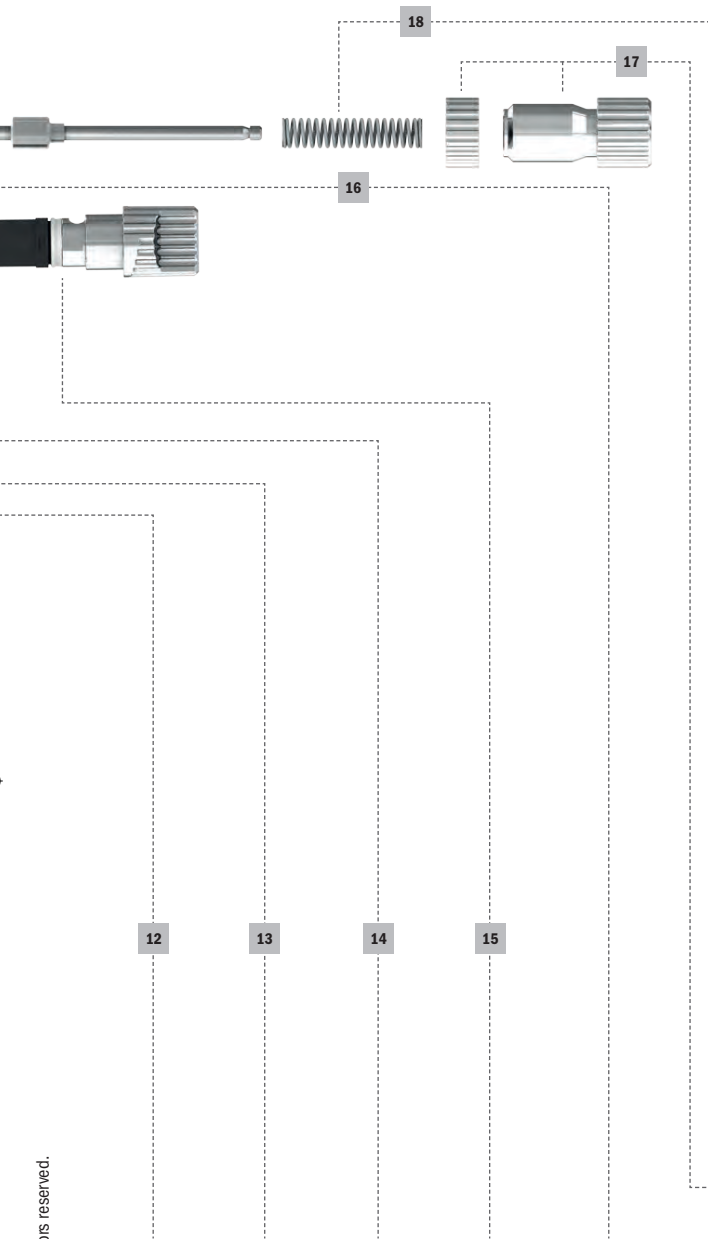
CUP SYSTEMS

BREATHING PROTECTION

FILTER TECHNOLOGY

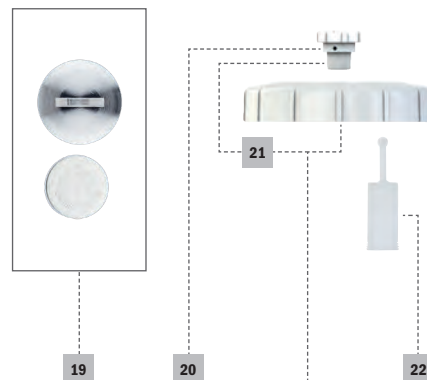
ADDITIONAL PRODUCTS

MERCHANDISING ITEMS



	Non DIGITAL jet X 5500 PHASER	Non DIGITAL	Non DIGITAL swivel joint	DIGITAL	DIGITAL swivel joint with seal retainer and sleeve	Seal retainer with sleeve*
X 5500	-	134098	19745	211490	211516	211441
X 5500 PHASER	1092981	-		-	-	-
5000 B				211490	211516	211441
4000 B				166116	203422	165985
100 B	-					
1000 B		134098	16162	-	-	-
minijet 4400 B						

* only for DIGITAL with swivel joint



12	13	14	15	16	17	18	19	20	21	22
Locking screw	Air piston head	Pressure spring air piston	Air micrometer (air flow control knob)	Paint needle packing	Material flow control	Pressure spring paint needle	Battery kit	Anti-drip device	Screw-on lid	Strainer 300µm

211391	133991	133959*	211466	15438	211474	133959*	1057414	1826	49395	3988 (10x)	X 5500
			1093012		1093004		-				X 5500 PHASER
133967			211466		211474		213769			76018 (100x)	5000 B
			166017		166025		165993			76026 (500x)	4000 B
			139964		139188		-				100 B
199430	199448	201467**	198523	199414	199406	201467*		197558	199075		1000 B
											minijet 4400 B

Gun type

* in a set

All prices are recommended list prices. Errors, technical modifications and printing errors reserved.

Accessories for spray guns

Air connection

99895

Flexible quick coupling nipple G 1/4" (female thread)



6981

SATA quick coupling nipple G 1/4" (female thread) (packing unit 5 pieces)

Storage

1103522

SATA universal spray gun holder, foldable, magnetic



1110527

SATA universal spray gun holder, foldable

192195

SATA universal spray gun and hose holder for all SATA spray guns



134916

Triple spray gun holder for wall mounting



9886

SATA gravity gun holder for gravity cup spray guns



134882

Spray gun holder with strainer holder



134932

Insert for spray gun holder with strainer holder for SATAmijet

69328

SATA spray gun holder for SATAmijet 4400 B, minijet 3000 B, jet 20 B



40188

SATA spray gun display holder



1750

Spray gun holder, complete



186833

Spray gun stand acrylic w 10 x h 7.5 x d 14 cm



Other Accessories

59675
SATA dosenboy, to cut out can lids from cans up to 36 cm height



59667
Blade for SATA dosenboy

59659
Wheel for SATA DOSENBOY

16477
SATA compressed air-driven hand agitator



9845
SATA viscosity cup 4.0 mm, flow time tolerance < 1 sec.



9852
SATA viscosity cup 4.0 mm, flow time tolerance < 1.5 sec.



3988
Paint strainer, 300 µm (packing unit 10 pieces) for SATA spray guns except for SATAminijet 3000 B



76018
Paint strainer, 300 µm (packing unit 100 pieces) for SATA spray guns except for SATAminijet 3000 B



76026
Paint strainer, 300 µm (packing unit 500 pieces) for SATA spray guns except for SATAminijet 3000 B



1040815
Air cap protector UV, black (packing unit 5 pieces) for SATAjet 3000, 4000, 5000 series



1040807
Air cap protector UV, black (packing unit 5 pieces) for SATAjet 100 and 1000 series

1044594
Air cap protector UV, black (packing unit 5 pieces) for SATAminijet 4400 B

1054006
Air cap protector, black (packing unit 5 pieces) for SATAjet 3000, 4000, 5000 series



1054014
Air cap protector, black (packing unit 5 pieces) for SATAjet 100 and 1000 series

1054030
Air cap protector, black (packing unit 5 pieces) for SATAminijet 4400 B

1054022
Air cap protector, black (packing unit 5 pieces) for SATAminijet 1000/3000 B

Cleaning and Maintenance of Spray Guns

Storage

60095

SATAclean wet holding tray for 3 spray guns



Cleaning accessories

162628

SATA care set spray gun care bag containing 1 large cleaning brush, 5 medium-sized cleaning brushes, 5 double-sided cleaning brushes, 12 nozzle cleaning needles, 1 tube high performance grease, silicone- and acid-free, 100 g



48173

SATA high performance grease, silicone- and acid-free, 100 ml for spray guns Please observe: The supplied product has a limited use-by date!



62174

SATA nozzle cleaning needles (pack of 12 pieces)



9894

SATA nozzle cleaning needles (pack of 36 pieces, packed to 12 pieces each)



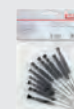
64030

SATA cleaning kit with 2 cleaning brushes, medium and 12 nozzle cleaning needles



6007

Cleaning brush (packing unit 10 pieces) for spray guns



9209

Cleaning brush, double-sided (pack of 10 pieces) for spray guns



158840

Cleaning brush, large (packing unit 5 pieces) for spray guns



29280

Cleaning brush (packing unit 10 pieces) for suction pipe of suction cup spray guns

Quality Control

161596

SATA cert, with archive, spray pattern block, single sheet holder and distance marker



161646

Spray pattern blocks with 25 sheets (packing unit 2 pieces) for SATA cert

161661

Distance marker for SATA cert

Disassembly of nozzle set



1 First remove paint needle.



2 Followed by the cap.



3 And finally, unscrew fluid tip with the ring spanner integrated in the universal spanner.

Cleaning and drying



1 Clean the material passage



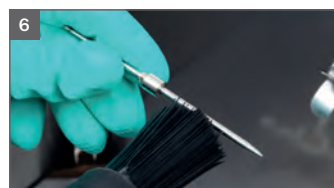
2 Clean the spray gun body



3 Dry with blow gun

When cleaning the spray gun manually, please ensure not to use brushes made of metal wires which could possibly damage the spray gun. Furthermore, please make sure that no cleaning fluid ends up in the air passages of the spray gun body.

Cleaning of the nozzle set



When cleaning the nozzle components, please make sure that metal parts of brushes do not damage the nozzle set. Ideally, please use specially designed SATA cleaning brushes and SATA nozzle cleaning needles to ensure optimum cleaning and maintenance of the nozzle set.

Please watch our video at www.sata.com/TV concerning "Cleaning and Maintenance of Spray Guns". Or simply order the cleaning brochure (Art. No. 158162) or the cleaning poster (Art. No. 168070) free of charge!

www.sata.com/firstaid

Assembly and maintenance



1 Assembly of the fluid tip



2 Tighten fluid tip by hand using the universal spanner.



3 Assembly of the air cap



4 Grease paint needle around the needle packing area



5 Insert paint needle



6 Grease and insert paint needle spring



7 Grease thread of material flow control screw







8 Install material flow control screw



9 Grease visible part of air piston rod



Cup Systems	Product description	Product advantages
 <p>SATA RPS Multi-Purpose Cup System 76</p>	<p>The SATA RPS (Rapid Preparation System) multi-purpose cup system fulfils four functions: mixing, painting, refilling and storing. The handling of SATA RPS is so simple because it consists of only three parts: SATA RPS fits directly onto your SATA spray gun with QCC connector (Quick Cup Connector) without any disturbing adapters. Due to the short colour channel and without unnecessary corners and edges, material deposits in the colour channel are prevented.</p>	<ul style="list-style-type: none"> • Bendable – allows the painting of sill areas or wheel arches "overhead" • Stable – due to the screw connection between cup and lid, the cup always remains on the lid and gun even when touching obstacles. • Easy removal of the lid in case of emergency – without soiling the working area • Clean removal of the cup – by pressing the cup in, vacuum is created, which empties the material passage when pulling the trigger. • Constant material flow – helps the painter to achieve perfect coating results just like child's play • Very quick colour change – Cleaning becomes a minor matter • Available in 3 cup sizes: 0.3 l, 0.6 l and 0.9 l • Available as UV version: 0.6 l
 <p>Gravity flow cup for spray guns 82</p>	<p>Reusable plastic or aluminium gravity flow cups for SATA spray guns</p>	<ul style="list-style-type: none"> • Proven SATA quality • Flexible in use • Saves material and is efficient
 <p>SATA agitator cup 86</p>	<p>The SATA agitator cup is the ideal cup for processing quick settling materials, such as effect paints. The reusable aluminium cup fits directly onto your SATA paint spray gun with QCC (Quick Cup Connector) connection – without the need of adapters. Due to the short colour channel and without unnecessary corners and edges, material deposits are also prevented.</p>	<ul style="list-style-type: none"> • Variable - Air control valve allows adjustment of inlet flow pressure and agitator speed • Clean – Drip stop in the lid supports clean working • Constant material flow – helps the painter to achieve perfect coating results
 <p>SATA BVD pressurized cup 88</p>	<p>The SATA BVD is ideal for low-mist processing of highly viscous, sprayable materials.</p>	<ul style="list-style-type: none"> • No modification of the viscosity required • Individual material pressure adjustment • Female thread connection optional for older spray guns

SATA RPS Multi-Purpose Cup System



SATA RPS 0.3 I

1010389

SATA RPS 0.3 I standard, 125 µm flat sieve packing unit 40 pieces



1010420

SATA RPS 0.3 I standard XL, 125 µm flat sieve packing unit 100 pieces

1010397

SATA RPS 0.3 I standard, 200 µm plug-in sieve packing unit 40 pieces



1010404

SATA RPS 0.3 I standard XL, 200 µm plug-in sieve packing unit 100 pieces

SATA RPS 0.3 I for SATAminijet spray guns (except minijet 4400 B)

1010553

SATA RPS 0.3 I minijet, 125 µm flat sieve packing unit 60 pieces



1010561

SATA RPS 0.3 I minijet, 200 µm plug-in sieve packing unit 60 pieces



SATA RPS 0.6 I

1010438

SATA RPS 0.6 I 125 µm flat sieve packing unit 60 pieces



1010488

SATA RPS 0.6 I 200 µm plug-in sieve packing unit 60 pieces



SATA RPS 0.9 I

1011973

SATA RPS 0.9 I, 125 µm flat sieve packing unit 40 pieces



1011981

SATA RPS 0.9 I, 200 µm plug-in sieve packing unit 40 pieces

**SATA RPS 0.6 I UV**

1010496

SATA RPS UV 0.6 I 125 µm flat sieve packing unit 60 pieces



1010503

SATA RPS UV 0.6 I 200 µm plug-in sieve packing unit 60 pieces



Suitable for all paint materials. Please observe the recommendations of the paint manufacturers to choose the correct sieves (flat sieve 125 µm or plug-in sieve 200 µm).

Accessories for SATA RPS

144840

SATA RPS depot to store RPS boxes



127852

Spray bottle 1.0 l



127860

Pump-spray cleaning bottle, not suitable for thinner



165399

SATA RPS mix lid, flat lid (packing unit 50 pieces) allows stacking of RPS 0.6 I and 0.9 I cups

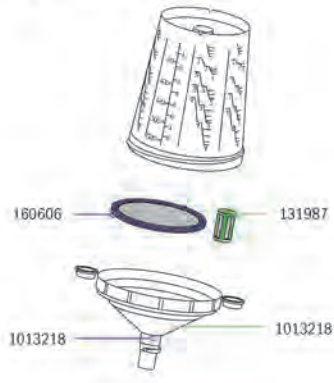


SPRAY GUNS
CUP SYSTEMS
BREATHING PROTECTION
FILTER TECHNOLOGY
ADDITIONAL PRODUCTS
MERCHANDISING ITEMS

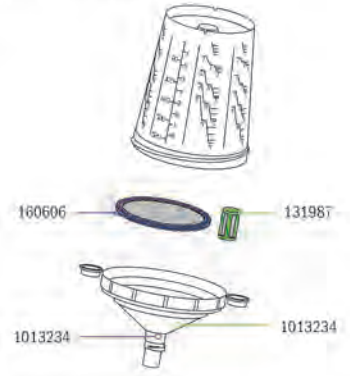
Spare parts
**SATA RPS Mul-
ti-Purpose Cup
System**

- 1013218
Spare lid for SATA RPS 0.3 l Standard (packing unit 60 pieces)
- 1013226
Spare lid for SATA RPS 0.6 l / 0.9 l (packing unit 80 pieces)
- 1013234
Spare lid for SATA RPS 0.3 l minijet (packing unit 108 pieces)
- 131979
Spare flat sieve 125µm, pastel blue (packing unit 100 pieces)
- 131987
Spare plug-in sieve 200 µm, pastel green (packing unit 100 pieces)
- 160606
Spare flat sieve 125 µm, pastel blue (packing unit 60 pieces)

SATA RPS 0,3 l



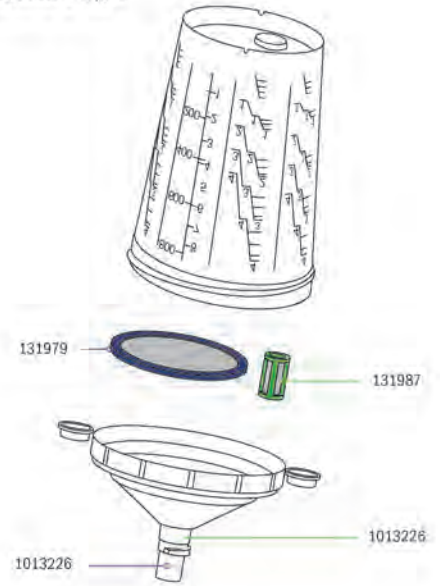
**SATA RPS 0,3 l minijet
(SATAmijet 3000 B)**



SATA RPS 0,6 l



SATA RPS 0,9 l





SATA Loyalty Program

coins & more

With the SATA Loyalty Program, SATA rewards loyal customers of certain products (currently all RPS cup systems) with loyalty coins, which can then be converted into high-quality rewards.

Allowed to participate are buyers of premium products or employees of buying companies based in a country where the program is offered, with the agreement of the company, in accordance with the conditions set out in the conditions of participation. Points are collected by scanning a QR code applied to certain eligible products.

On the outside of each RPS carton there is a booklet in which the coin value can be scanned from the QR code. Download the SATA Loyalty App, fill in the user information, scan and collect the SATA Coins. You can then exchange the coins for attractive rewards.

- 1. Download App & register**
- 2. Scan QR code & collect coins**
- 3. Convert into rewards**

Collect coins with every cup!

Purchasing a SATA RPS box of **40 cups** (SATA RPS 0.3 I, SATA RPS 0.9I) means **40 coins**, purchasing a SATA RPS box of **60 cups** (SATA RPS 0.3 I minijet, SATA RPS 0.6 I) means **60 coins** and purchasing a box of **100 cups** (SATA RPS 0.3 I XL) means **100 coins**.

Further information: www.sata.com/loyalty



Accessories for SATA RPS

Technical Data	SATA RPS wall dispenser	SATA RPS extension kit	SATA RPS rotawall adapter kit	SATA RPS rotafloor adapter kit
Height	100 cm	100 cm	136 cm	210 cm
Depth	18 cm	18 cm		
Width	80 cm	40 cm		
Diameter			65 cm	65 cm

Available versions

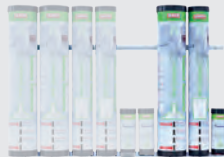
195784

SATA RPS wall dispenser, standard version: 2x cup tubes / 2x lid tubes / 2x sieve tubes and 2x aluminium slats



195776

SATA RPS extension kit, add-on kit: 1x cup tube / 1x lid tube / 1x sieve tube for flat sieves, with aluminium slat



196543

SATA RPS rotawall adapter kit: carousel, base spindle and wall holder (top and bottom)- Tubes are not included in the scope of delivery



196550

SATA RPS rotafloor adapter kit: carousel, base spindle, steel pipe - Tubes are not included in the scope of delivery



197723

Ground plate for SATA RPS rotafloor adapter kit Important: Always order with 196550 and 195784 !

Spare parts for SATA RPS dispenser

1008219

Dispenser bowl for plug-in sieve for SATA RPS dispenser



1008227

Dispenser flap for plug-in sieve for SATA RPS dispenser



1008285

Support frame for lid dispenser for SATA RPS dispenser



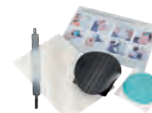
1028605

Bracket for plug-in sieve dispenser tray for SATA RPS dispenser



213629

Fixing kit for dispenser tubes lid/cup with adhesive pad, adhesive foil, holder for SATA RPS dispenser



213637

Cup holder for tube for SATA RPS dispenser



213645

Absorption brush for lid standard for SATA RPS dispenser



213652

Absorption brush for lid mini for SATA RPS dispenser

213660

Dispenser tube for lids for SATA RPS dispenser



213678

Cardboard tube for cups for SATA RPS dispenser



213686

Tube for plug-in and flat sieves for SATA RPS dispenser



215483

Fixing rivet (packing unit 4 pieces) for absorption brush for SATA RPS dispenser



215616

Spare part flat sieve dispenser bottom (1x) for SATA RPS dispenser



Gravity flow cup for spray guns

Reusable plastic cup

197541

Reusable plastic cup, 0.125 l with QCC without fine thread for SATAjet 5000 series, jet 4000 B, jet 3000 B, jet 2000, jet 1000 B, jet 100 B, jet RP, minijet 4400 B



125443

Reusable plastic cup, 0.125 l with QCC and fine thread for SATAminijet spray guns (except minijet 4400 B) and SATAjet 20 B



120675

0.3 l QCC reusable plastic cup, cpl. for SATAjet 5000 series, jet 4000, jet 1000, jet 100, jet 3000, minijet 4400



48587

0.3 l reusable plastic cup, with fine thread, cpl. for SATAjet B, jet GR, jet NR 95



128470

0.3 l QCC reusable plastic cup, compl. for SATAminijet 3000 B, minijet 1-4, jet 20 B



27243

Reusable plastic cup, 0.6 l with QCC without fine thread for SATAjet 5000 series, jet 4000 B, jet 3000 B, jet 2000, jet 1000 B, jet 100 B, jet RP, minijet 4400 B



1004960

0.6 l QCC reusable plastic cup with fine thread cpl. for SATA KLC, LM 2000, jet 90-2, jet RP



49379

0.6 l reusable plastic cup, with fine thread cpl. for SATAjet B, jet GR, jet NR 95, jet 3000 LAB, jet 4000 LAB, jet 5000 LAB



Aluminium reusable cup

198911

Reusable aluminium cup, 0.15 l with QCC without fine thread for SATAjet 5000 series, jet 4000 B, jet 3000 B, jet 2000, jet 1000 B, jet 100 B, jet RP, minijet 4400 B



125948

0.15 l QCC reusable aluminium cup, cpl. for SATAminijet (except minijet 4400) and jet 20 B



137729

Reusable aluminium cup, 0.75 l with QCC without fine thread for SATAjet 5000 series, jet 4000 B, jet 3000 B, jet 2000, jet 1000 B, jet 100 B



1013432

Reusable aluminium cup, 0.75 l with QCC & fine thread for jet 2000, jet 90, jet RP, LM 2000, KLC



6601

Reusable aluminium cup 0,75 l with fine thread, cpl. for SATAjet B, jet GR, jet NR 95



96685

Reusable aluminium cup, 1.0 l with QCC without fine thread for SATAjet 5000 series, jet 4000 B, jet 3000 B, jet 2000, jet 1000 B, jet 100 B



1013440

Reusable aluminium cup, 1.0 l with QCC and fine thread for jet 2000, jet 90, jet RP, LM 2000, KLC



46631

1.0 l reusable aluminium cup, with fine thread complete for SATAjet B, jet GR, jet NR 95














71555

Plastic lid (packing unit 3 pieces) for 0.75 l and 1.0 l reusable aluminium cup

RPS adapter for spray guns

RPS adapter for spray guns

Manufacturer:

	SATA		IWATA		Walcom		DeVilbiss		Eminent		Aigunsa		Asturo		Graco		Sagola		Dux		Dürr		Sharpe		Walther Pilot		Kremlin	
	SATAjet B, jet GR, jet NR 95	SATAjet 2000, jet RP, LM 2000 B, jet 90, KLC	SATA LM B 92	SATAmirijet 3000 B, minijet 1 - 4, jet 20 B	W400, WR 400, LPA 94, WL Primer Gun, LPH 400	W 300, LPH 300, LS 400	Supermova, WS 400	LPH 80	Genesis Carbon	FX GEO, FX HVLP	PRI, GTI, GFP, GFV, GFHV 510, DV 1	Starting Line HWP Spray Gun	Starting Line Mini Spray Gun	SRI	E13 Eminent	AZ40 HTE	OM Green	3M PPS	403 G, 433 G, 434 G, 444 G, 450 G, 4100 G	475 Mini-Gun	4400 G Extreme, 4500 G Extreme	Gravity flow cup spray gun	Ecogun 910	Finex FX 300	Platinum, Titanium	III F	M 21 G	
 125211 RPS adapter No. 1 with QCC and connection M 16 x 1.5 (female thread)	X				X																							
 125237 RPS adapter No. 2 with QCC and connection M 16 x 1.5 (male thread) for SATAjet NR2000 and SATAjet RP without QCC / SATA LM 2000 B, SATA KLC, SATAjet 90		X							X																			
 125252 RPS adapter No. 3 with QCC and connection 3/8" (male thread)										X																		
 125278 RPS adapter No. 4 with QCC and connection 1/4" (male thread)					X									X	X													
 125294 RPS adapter No. 5 with QCC and connection M 12 x 1 (male thread)									X							X												
 126326 RPS adapter No. 6 with QCC and connection 3/8" (male thread)																	X											
 133595 RPS adapter No. 7 with QCC and connection M 12 x 1.5 (male thread)			X															X			X							
 133827 RPS adapter No. 8 with QCC and connection G 3/8"-18 (female thread)																						X	X					
 135111 Spray gun adapter No. 9 with QCC and connection thread G 3/8" male thread -18 NPSF																								X				
 135798 RPS adapter No. 10 with QCC and connection M 10 x 1 (male thread)				X															X									
 150136 RPS adapter No. 13 with QCC and connection M 16 x 1.5 (male thread)											X																	

SPRAY GUNS

CUP SYSTEMS

BREATHING PROTECTION

FILTER TECHNOLOGY

ADDITIONAL PRODUCTS

MERCHANDISING ITEMS

SATA agitator cup

Technical Data	SATA agitator cup
Cup capacity	0,7 l
Max. operating pressure	10,0 bar
Material	Aluminium



SATA agitator cup

29926

SATA agitator cup, conversion kit for SATAjet 5000 series, jet 4000 B, jet 3000 B, jet 2000, jet 1000 B, jet 100 B, jet RP

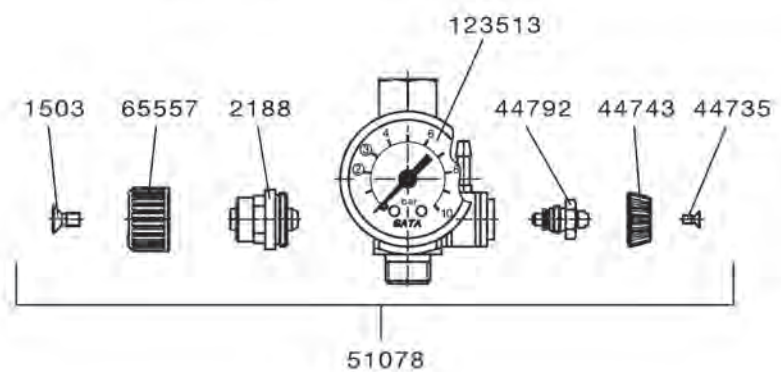
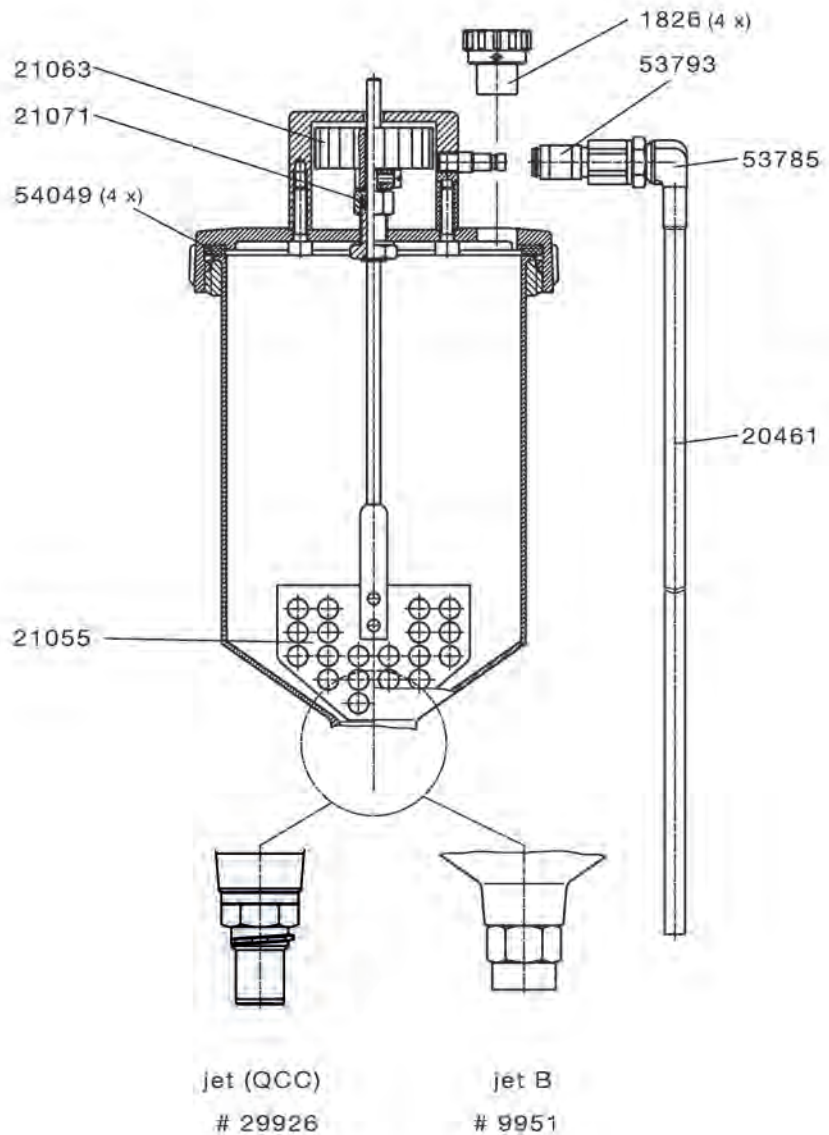
9951

SATA agitator-cup for SATAjet B and GR/B-92 (supplementary equipment)

Spare parts

SATA agitator cup

123513
Pressure gauge 0-10 bar, 40 mm for regulation valve coloured stereotype plate
1503
Countersunk screw M4 x 8 DIN 965, stainless steel, for micrometer und round/flat spray control
1826
Anti-drip device (packing unit 4 pieces)
20461
Plastic air hose for BVD and agitator cup
21055
Agitating vane, cpl.
21063
Driving wing, cpl. with screw
21071
Gasket agitating vane, agitator cup
2188
Spindle
44735
Countersunk screw M 2.5 x 5, VA
44743
Control knob
44792
Spindle complete for SATAMinijet
51078
Regulation valve compl. for cup agitator
53785
Angle screw socket, LCN-1/8-PL-4, f. SATA NAD and BVD
53793
Coupling with G 1/8" (female thread)
54049
Sealing ring (packing unit 4 pieces)
65557
Control knob



SATA BVD pressurized cup

Technical Data	SATA BVD pressurized cup
Cup capacity	0,7 l
Max. operating pressure	1,7 bar
Material	Aluminium



SATA BVD conversion kit

25775

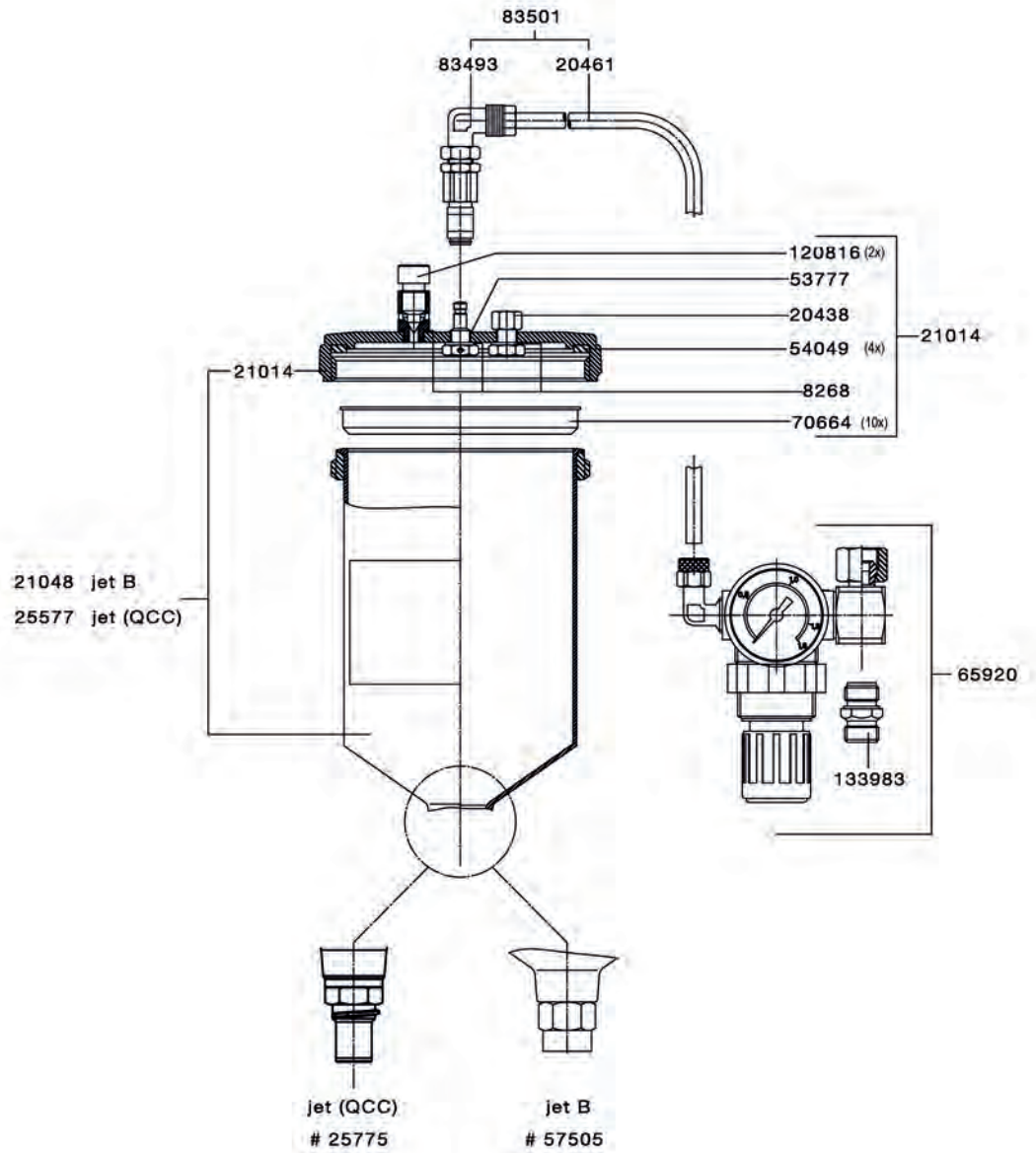
SATA BVD conversion kit with QCC without fine thread for SATAjet 5000 B, 4000 B, jet 3000 B, jet 2000, jet 1000 B, jet 100 B, jet RP

57505

SATA BVD extension-set for SATAjet B and GR/B-92

Spare parts
SATA BVD pressurized cup

120816	Pressure release screw (packing unit 2 pieces)
133983	Air connection piece 1/4" male thread
20438	Safety pressure relief valve BVD
20461	Plastic air hose for BVD and agitator cup
21014	Aluminium lid, cpl.
21048	Pressurised cup with lid
25577	Pressurised cup with lid
53777	Air connection for aluminium lid
54049	Sealing ring (packing unit 4 pieces)
65920	Control fittings, complete, for BVD pressurized cup connection kit (GR and LM)
70664	Anti-drip device (packing unit 10 pieces)
8268	Sealing ring
83493	Connection for pressurised cup, cpl.
83501	Air hose cpl. w. pressurized cup connection, for SATA Spray-Master



Repair kit

73254
Repair kit for control fitting

Breathing Protection



Hood cloth
Breathable, solvent-resistant, lint-free and flame retardant. Quick exchange due to velcro attachment system.

Hood
With rigid skull cover providing impact protection whilst working in confined areas.

Comfort head band
To ensure highest hygiene standards. Made of microfibre velour, dermatologically tested; can be exchanged within a few seconds only; includes foam insert for enhanced wearer comfort.

Headband
Can be adjusted at 4 different points ensuring perfect fit.

SATA CCS discs
Allows the convenient individual identification to avoid confusion; available in 4 colours.

Locking/pivot control
Allows easy visor location.

Visor
With large field of vision

Facial seals
Follows facial contours ensuring optimum seal and comfort. Low reflection due to dark colour.

Plug-in diffuser
optional accessory – to avoid uncomfortable air flow.

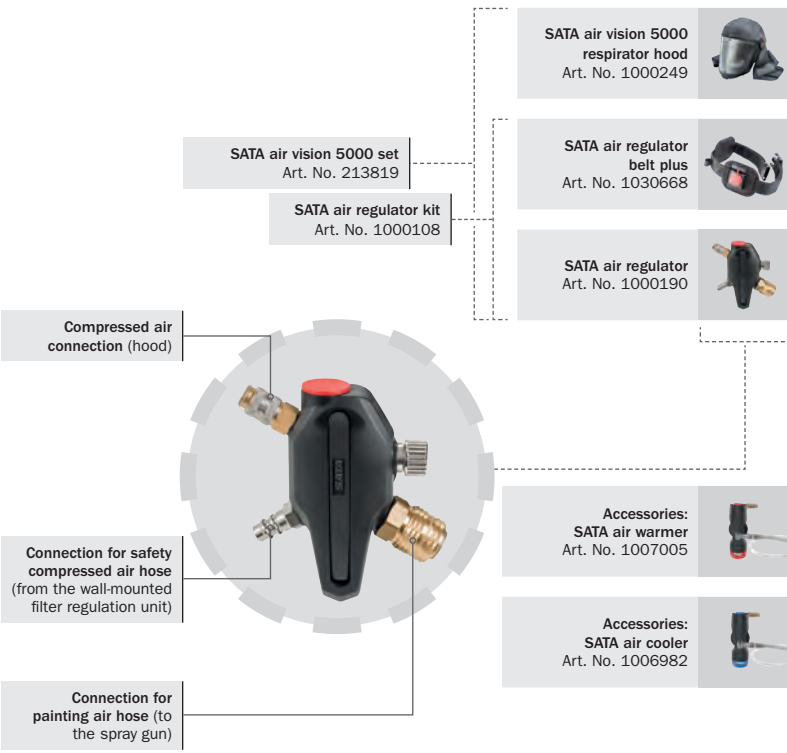
Breathing air hose
for fresh air supply. Hose guide on the rear for maximum comfort.

Acoustic warning signal
Instant indication of insufficient air supply.

Diffusor block
Breathing air distribution reduces the noise level to 64 dB(A) at 2.5 bar inlet pressure.

Breathing Protection	Product description	Product advantages
 <p>SATA air vision 5000 94</p>	<p>The SATA air vision 5000 offers a completely redesigned way of supplied breathing air. The respiratory hood not only ensures high breathing air quality but also a low noise level. The modern, ergonomic design fits with almost any head shape and can be individually adjusted in size, height and position.</p>	<ul style="list-style-type: none"> • Absolute safety through external supply of clean air to the cabin – up to 100 times TRK value and suitable for continuous use • No inhalation resistance, very comfortable breathing • Ergonomic design with individual adjustment options and one-hand operation of the visor • Little operating costs, quick pay-off of purchase costs • Soft-stream flow-optimised air distribution in the hood • Reduced sound level: 64 dB (like a conversation in 1m distance) • The SATA CCS Discs (Color Code System) allow to personalise hood, SATA air regulator and SATA air carbon regulator
 <p>SATA vision 2000 98</p>	<p>This full hood is especially designed to meet the requirements of painters and protects the respiratory system, eyes, skin and hair. In addition, it offers a high wearing comfort and optimum hygiene. The hood with hygienic hood insert, replaceable sweatband and acoustic warning device is available as a set. This includes a belt unit – optionally with activated carbon adsorber and air flow regulation and display or a T-piece with an air flow regulation.</p>	<ul style="list-style-type: none"> • High breathing air quality due to air supply independent of ambient air, no inhalation resistance, high breathing comfort • High protection level, suitable for long application intervals • Protects up to 100 times the TRK-value • Visor allows one-hand operation • Non-reflecting view due to solvent-resistant special foil • Little operating costs, quick pay-off of purchase costs
 <p>SATA air star C 100</p>	<p>The SATA air star C half mask offers maximum visibility and better breathing protection than half masks with filter cartridges. The activated carbon filter, either as a static unit on the wall or portable on the belt unit, provides clean breathing air. The optimally filtered air is supplied to the user directly into the mask, in a steady stream without any inhalation resistance.</p>	<ul style="list-style-type: none"> • Ambient air independent supply of pure breathing air (protects up to 100 times the TRK value) also outside the paint booth • No inhalation resistance, very comfortable breathing • Free vision (protective goggles required) • No accumulation of heat and humidity inside the mask • Excellent fit for any type of facial contours • Very light and comfortable • 4 pointed straps for easy handling and safe fit
 <p>SATA air star F 104</p>	<p>With this easy-to-wear filter half mask, painters are completely independent of location. A powerful filter system protects the respiratory tract of the painter as much as possible. It is mainly used for preparatory work outside the paint booth or for less extensive painting jobs. The SATA air star F has an anatomically shaped mask body made of skin-friendly TPE (Thermoelastic Elastomer) which adapts to any face shape.</p>	<ul style="list-style-type: none"> • Unrestricted mobility • Small investment • High wearing comfort, free field of view (goggles required) • Easy to handle and fits securely • Pre-filters to extend the lifetime • Relatively low inhalation resistance

Breathing Protection without Activated Charcoal Belt Unit

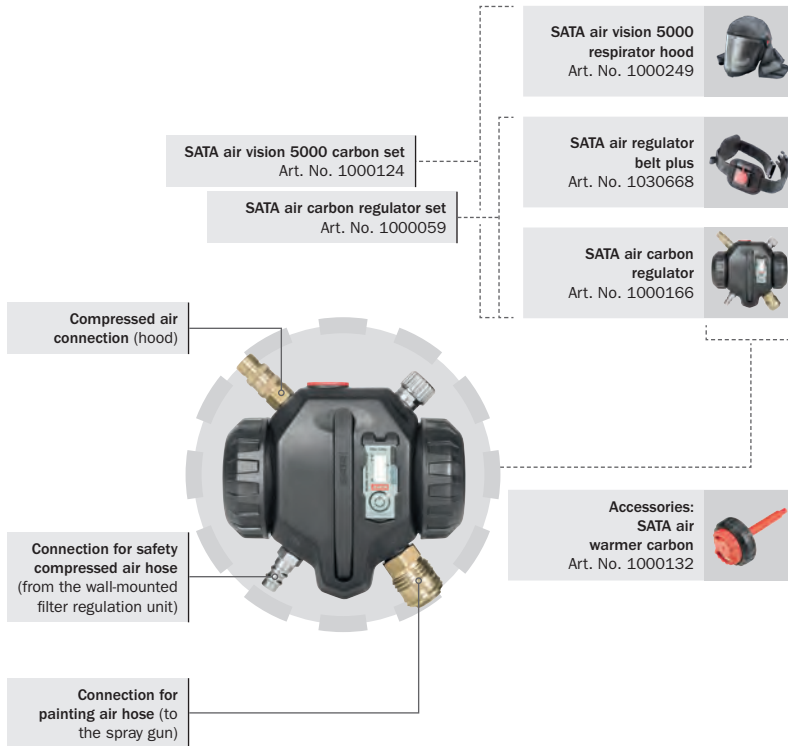


Recommended accessories

1007005 SATA air warmer	
1006982 SATA air cooler	
49080 Safety compressed air hose crush and kink resistant, 6 m	
13870 Gun air hose 9 mm inner diameter, 1.2 m to connect a spray gun to the belt unit	

Compressed air-supplied respirator hood to combine with triple-stage compressed air filters, e.g. SATA filter 584 with integrated activated charcoal filter stage.

Breathing Protection with Activated Charcoal Belt Unit



Recommended accessories

1000132

SATA air warmer carbon for SATA air carbon regulator
Multi-stage adjustable breathing air warmer



1006982

SATA air cooler



49080

Safety compressed air hose
crush and kink resistant, 6 m



13870

Gun air hose
9 mm inner diameter, 1.2 m to connect a spray gun to the belt unit



1115189

Activated charcoal filter
for SATA air carbon regulator



Compressed air-supplied respirator hood to combine with double-stage compressed air filters fixed to the wall, e.g. SATA filter 544 **without** integrated activated charcoal filter stage.

SATA air vision 5000

Technical Data	SATA air vision 5000
Min. required air flow volume	150 NI/min
Max. operating pressure	10,0 bar; 20,0 bar
Noise level	64 dB



Available versions

1000124

SATA air vision 5000 carbon set (Int.) Version with activated carbon adsorber



213819

SATA air vision 5000 set (Int.) Version without activated carbon adsorber



1000249

SATA air vision 5000 respirator hood (Int.)



1000059

SATA air carbon regulator set (Int.) for SATA air vision 5000



1000108

SATA air regulator set (Int.) for SATA air vision 5000



1000166

SATA air carbon regulator (Int.) for SATA air vision 5000



Available versions

1000190
SATA air regulator (Int.) for SATA air vision 5000



1030668
SATA air regulator belt plus for SATA air vision 5000



1000215
SATA air regulator belt (Int.) for SATA air vision 5000



1006982
SATA air cooler incl. adapter plate and hip pad for SATA air vision 5000



1007005
SATA air warmer, incl. adapter plate and hip pad for SATA air vision 5000



1000132
SATA air warmer carbon (Int.) for SATA air carbon regulator



Accessories

1115189
Activated charcoal filter #218206, incl. 2 filter caps for SATA air carbon regulator

49080
SATA Safety compressed air supply hose Ø 10 mm, 6 m long, for SATA breathing protection systems



176792
SATA safety compressed air supply hose Ø 10mm, 10 m long for SATA breathing protection systems

180851
SATA safety compressed air supply hose Ø 10mm, 40 m long for SATA breathing protection systems

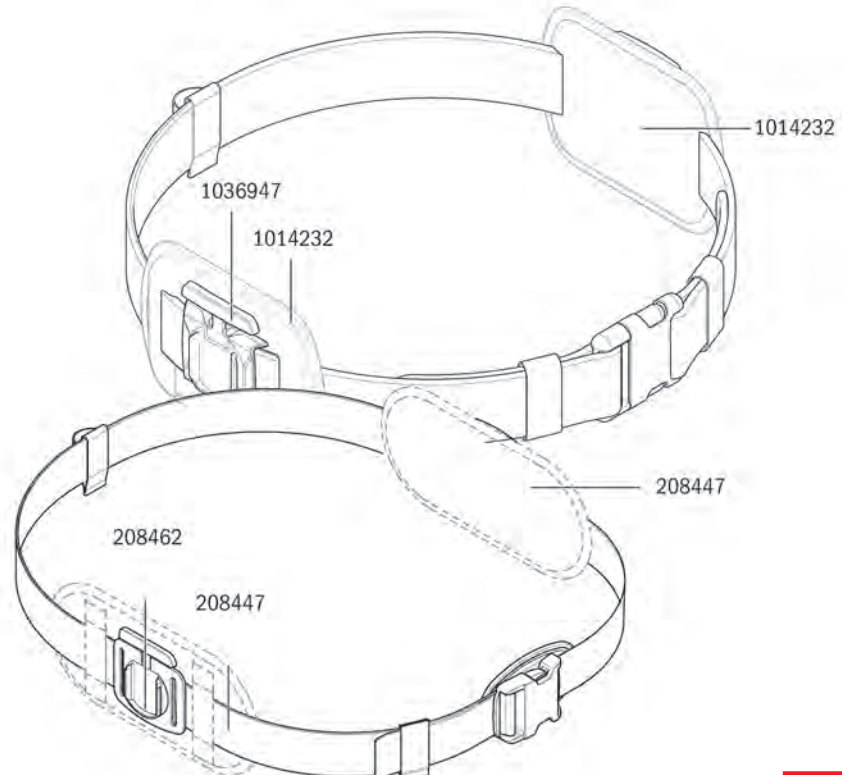
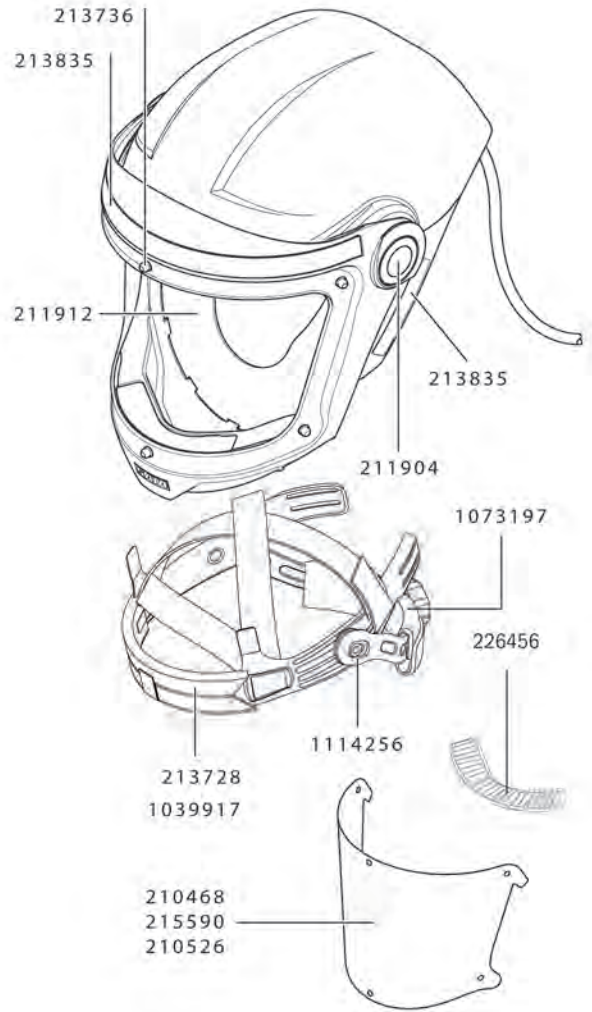
13870
SATA air hose, blue, 9mm, 1.2 m with quick coupling, red and nipple



SPRAY GUNS
 CUP SYSTEMS
 BREATHING PROTECTION
 FILTER TECHNOLOGY
 ADDITIONAL PRODUCTS
 MERCHANDISING ITEMS

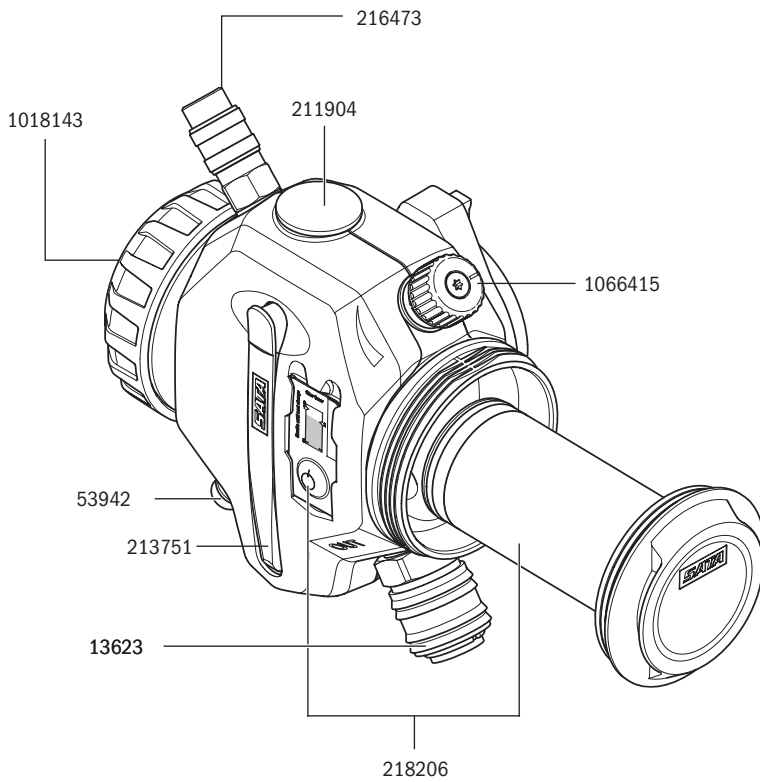
Spare parts
SATA air vision
5000

1014232
Hip pad (packing unit 1 piece)
1014240
Air hose cpl.
1018143
Filter fastener
1036947
Adapter plate
1039917
Comfort head band (packing unit 100 pieces)
1066415
Control knob, cpl.
1073197
Pad for head band (adjustment wheel)
1076521
Cylinder screw
1076589
Air hose cpl. (for SATA air humidifier)
1076612
Container
1076620
Lid
1076638
Safety band for bayonet lock
1076662
Pressure relief valve, cpl.
1076688
Threaded elbow joint, swiveling
1076703
Safety and quick coupling with free passage
1114256
Head fixation 2.0
1115189
Activated charcoal filter #218206, incl. 2 filter caps
1128918
O ring 52 x 2 mm, black, pack of 2
13623
SATA quick coupling 1/4" (male thread)
206151
SATA filter timer for sinter filter
208439
Belt with buckle
208447
Hip pad (packing unit 1 piece)
208462
Adapter plate
210468
Visor foil, 6 perforations (packing unit 20 pieces)
210526
Visor foil, 6 perforations (packing unit 1000 pieces)
211904
CCS disc (packing unit 4 pieces)
211912
Hygiene insert (packing unit 20 pieces)
213728
Comfort band (packing unit 10 pieces)
213736
Visor bolt (packing unit 6 pieces)
213751
Hood holder for SATA air regulator
213835
Hook-and-loop tape long (packing unit 1 piece) and short (packing unit 2 pieces), adhesive on one side
215590
Visor foil, 6 perforations (packing unit 100 pieces)
216473
Safety quick coupling for SATA air regulator and SATA air carbon regulator
226456
Plug-in diffuser
226621
Humidifier kit consisting of humidifier module, lid seal and SATA filter timer
226746
Hood cloth, dark grey
53942
Nipple G 1/4 f. GS respirator, UBE + blow-off gun, size 14
81158
Humidifier module cpl.



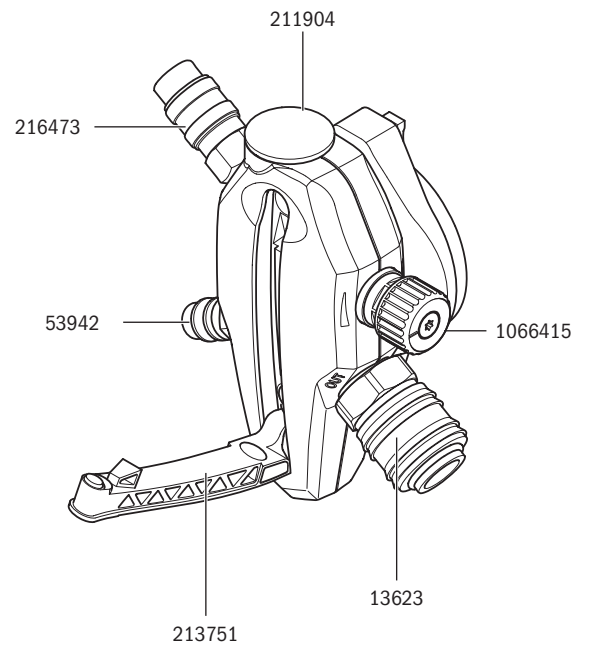
Spare parts for:

SATA air carbon regulator Art. Nr. 1000166



Spare parts for:

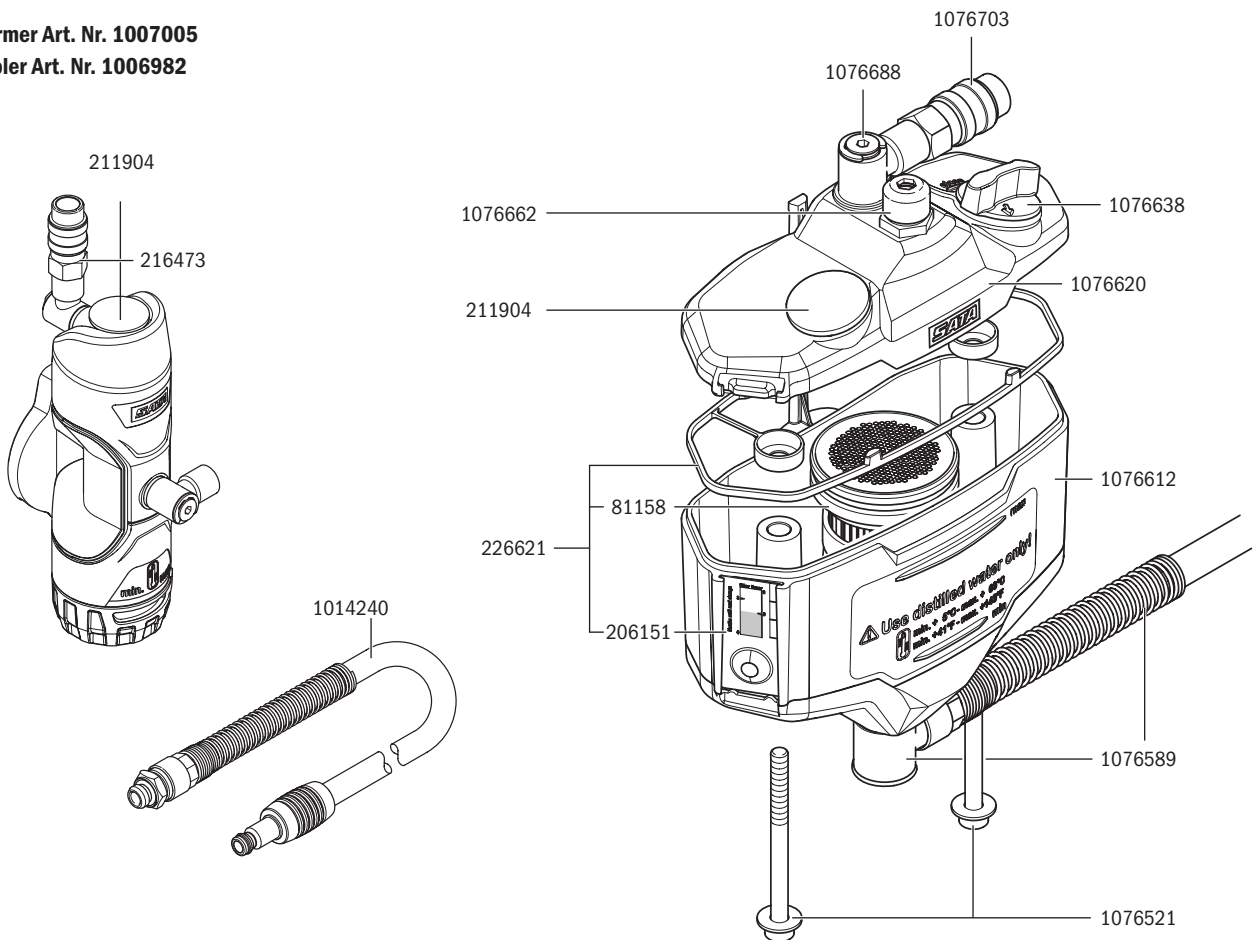
SATA air regulator Art. Nr. 1000190



Spare parts for:

SATA air warmer Art. Nr. 1007005

SATA air cooler Art. Nr. 1006982



SATA vision 2000

Technical Data	SATA vision 2000
Min. required air flow volume	170 NI/min
Max. operating pressure	8,0 bar
Noise level	73 dB



Available versions

173880

SATA respirator kit in systainer: SATA vision 2000 and belt unit with activated charcoal adsorber and air regulation valve, SATA air warmer, SATA air hose 1.2 m



69500

SATA respirator kit vision 2000, with activated charcoal adsorber



154591

SATA breathing protection kit: SATA vision 2000 and belt unit with T-piece and air control valve, version without activated carbon belt unit

67595

SATA respirator hood CE, head cloth w. chest cover

52712

Hood for full face respirator vision 2000, with head/chest cloth over hood, without belt unit

54015

Belt unit with activated charcoal adsorber and air regulation valve for SATA vision 2000 and respirator hood CE industry with UV protection



122341

Belt unit with T-piece and air regulation valve for SATA vision 2000, respirator hood CE industry with UV protection, air star C



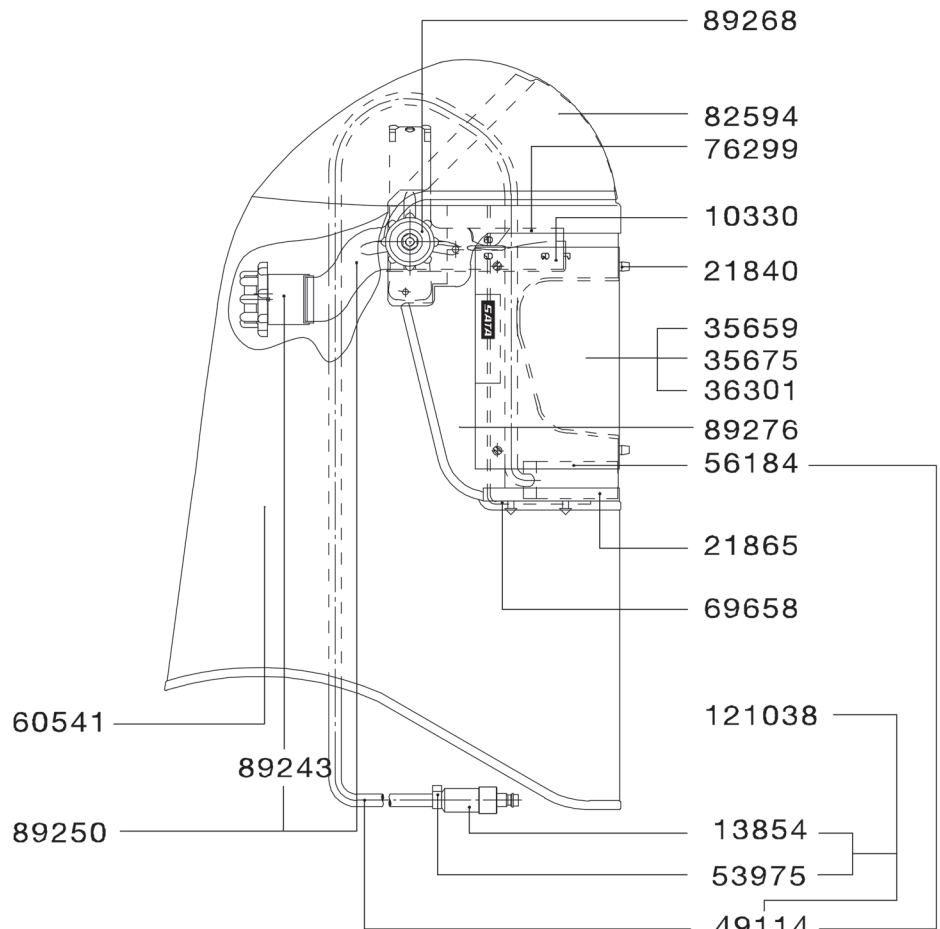
58941

Belt unit with air regulation valve for SATA vision 2000, respirator hood CE industry with UV protection, air star C



Spare parts
SATA vision 2000

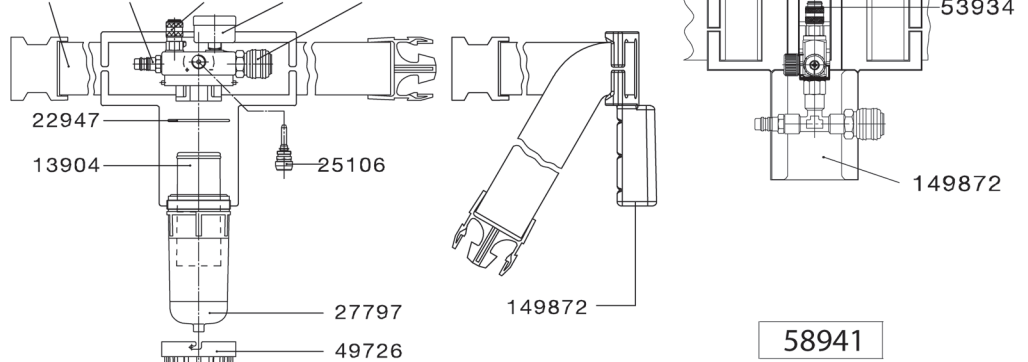
10330
Sweat ribbon, microfibre-velour (packing unit 10 pieces)
121038
Breathing air hose, cpl. with acoustic warning device, foam sleeve and noise reducer/coupling
13623
SATA quick coupling 1/4" (male thread)
13854
Silencer
13904
Activated charcoal cartridge
13920
Belt with buckle
149872
Belt cushion
21840
Set of plug-in nipples, complete, for Vision 2000
21865
Bottom part (packing unit 2 pieces)
22947
O-ring
25064
Pressure gauge 0 - 6 bar, 40 mm, green area 1.3 - 2.6 bar
25106
Spindle, complete, for adsorber (CE) of half mask + full face respirator
27797
Adsorber glass
35659
Visor foil, 6 perforations (packing unit 5 pieces)
35675
Visor foil, 6 perforations (packing unit 25 pieces)
36301
Visor foil, 6 perforations (packing unit 1000 pieces)
49114
Breathing air hose with acoustic warning device and foam sleeve, without noise reducer/coupling
49726
Protective cage f. respirator filter unit
53934
Safety quick coupling for SATA full face respirator
53942
Nipple G 1/4 f. GS respirator, UBE + blow-off gun, size 14
53975
Hose clamp 10.5 GER
56184
Foam sleeve for CE respirator
60541
Head / chest scarf, grey, over hood
69658
Hood inlay, black (20 pieces)
6981
SATA quick coupling nipple G 1/4" (female thread) (packing unit 5 pieces)
76299
Foam stripes, one side self-adhesive 8 x 25 x 345 mm, for respirators
82594
Hood with velcro tape, loose, for Vision 2000 respirator
89243
Adjustable part for head strap of Vision 2000 respirator
89250
Head strap, cpl., for Vision 2000 respirator
89268
Screwing (2 pieces)
89276
Carrier frame with side parts, plug-in nipples and bottom part, for Vision 2000 respirator



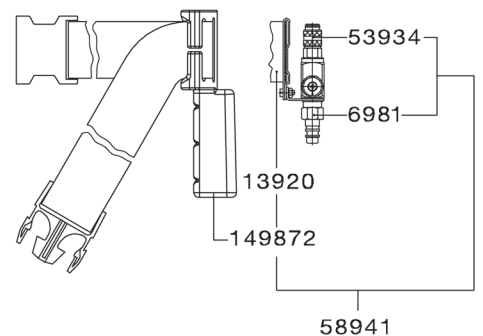
54015

122341

13920 53942 53934 25064 13623



58941



58941

SATA air star C

Technical Data	SATA air star C
Min. required air flow volume	150 NI/min
Max. operating pressure	4,0 bar
Noise level	70 dB



Available versions

137554

SATA respirator kit: SATA air star C and belt unit with activated charcoal filter and air regulation valve



137570

SATA breathing protection kit: SATA air star C and belt unit with T-piece and air control valve, version without activated carbon belt unit



137588

SATA air star C half mask with breathing hose, without filter



55798

Belt unit with activated charcoal adsorber and air regulation valve for SATA air star C



122341

Belt unit with T-piece and air regulation valve for SATA vision 2000, respirator hood CE industry with UV protection, air star C



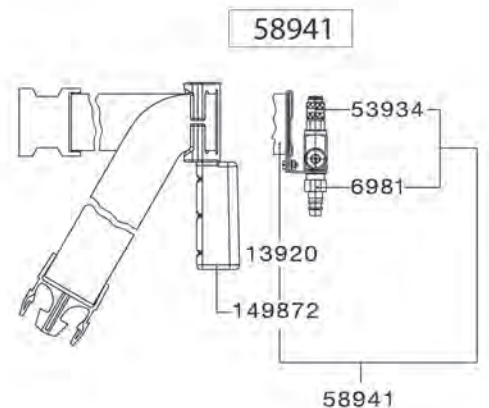
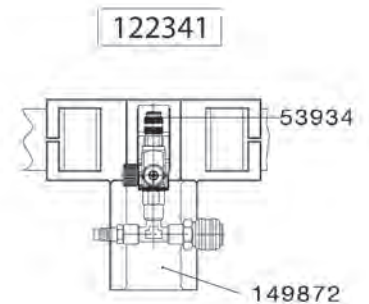
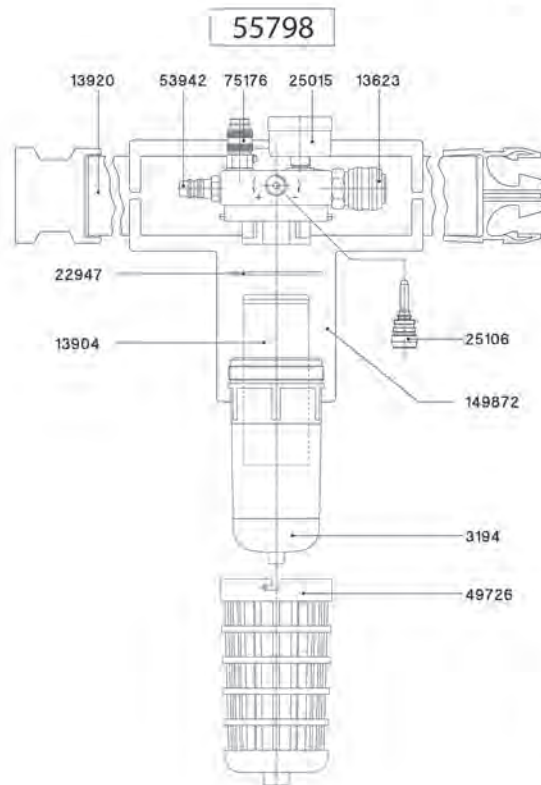
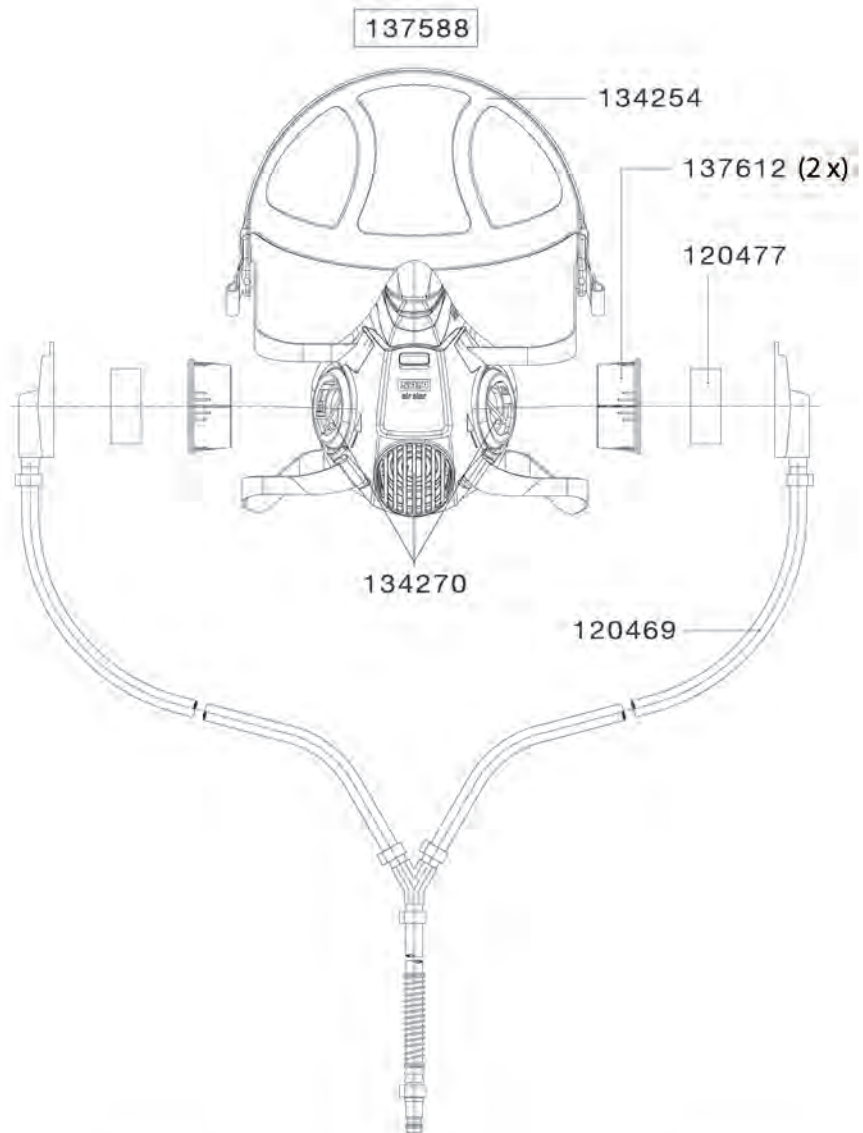
58941

Belt unit with air regulation valve for SATA vision 2000, respirator hood CE industry with UV protection, air star C



Spare parts
SATA air star C

120469
Breathing air hose, cpl.
120477
Air distributor (packing unit 2 pieces)
134254
Head strap with fixing unit and yoke for SATA air star C
134270
Inhalation and exhalation diaphragms (packing unit 5 pieces or 10 pieces, resp.) Please observe: The supplied product has a limited use-by date!
13623
SATA quick coupling 1/4" (male thread)
137612
Connection (packing unit 2 pieces)
13904
Activated charcoal cartridge
13920
Belt with buckle
149872
Belt cushion
22947
O-ring
25015
Pressure gauge 0 – 6 bar, 40 mm, green area 1 – 3 bar
25106
Spindle, complete, for adsorber (CE) of half mask + full face respirator
3194
Adsorber glass
49726
Protective cage f. respirator filter unit
53934
Safety quick coupling for SATA full face respirator
53942
Nipple G 1/4 f. GS respirator, UBE + blow-off gun, size 14
6981
SATA quick coupling nipple G 1/4" (female thread) (packing unit 5 pieces)
75176
Safety quick closure coupling NW 5, type 21, for adsorber of half mask respirator, version GS



Accessories for SATA vision 2000/SATA air star C

SATA air warmer

61242

Air warmer w. micrometer for SATA respirators



Accessories and air hoses

13904

Activated charcoal cartridge for SATA activated charcoal adsorber



15412

Suspender belt for SATA belt units SATA air star C and SATA air vision 5000/ vision 2000



13870

SATA air hose, blue, 9mm, 1.2 m with quick coupling, red and nipple



49080

SATA Safety compressed air supply hose Ø 10 mm, 6 m long, for SATA breathing protection systems



176792

SATA safety compressed air supply hose Ø 10mm, 10 m long for SATA breathing protection systems

180851

SATA safety compressed air supply hose Ø 10mm, 40 m long for SATA breathing protection systems

Cleaning cloths

134965

SATA half mask cleaner (packing unit 10 pieces) Please observe: The supplied product has a limited use-by date!



135020

SATA half mask cleaner (packing unit 50 pieces) Please observe: The supplied product has a limited use-by date!

75358

SATA wet & dry cleaner (packing unit 10 pieces) Please observe: The supplied product has a limited use-by date!



83881

SATA wet & dry cleaner (packing unit 50 pieces) Please observe: The supplied product has a limited use-by date!

Head covers for SATA vision 2000

60541

Head / chest scarf, grey, over hood for SATA vision 2000



56762

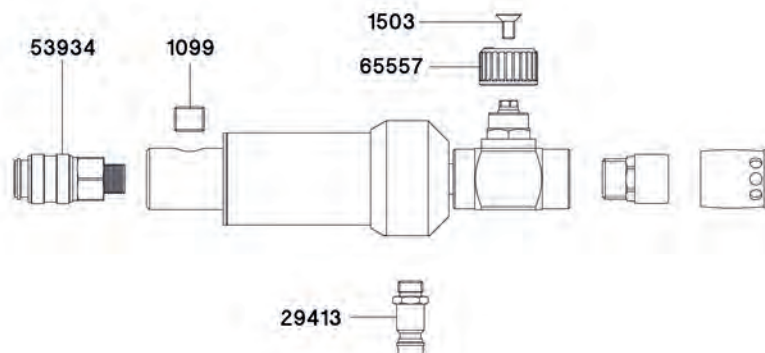
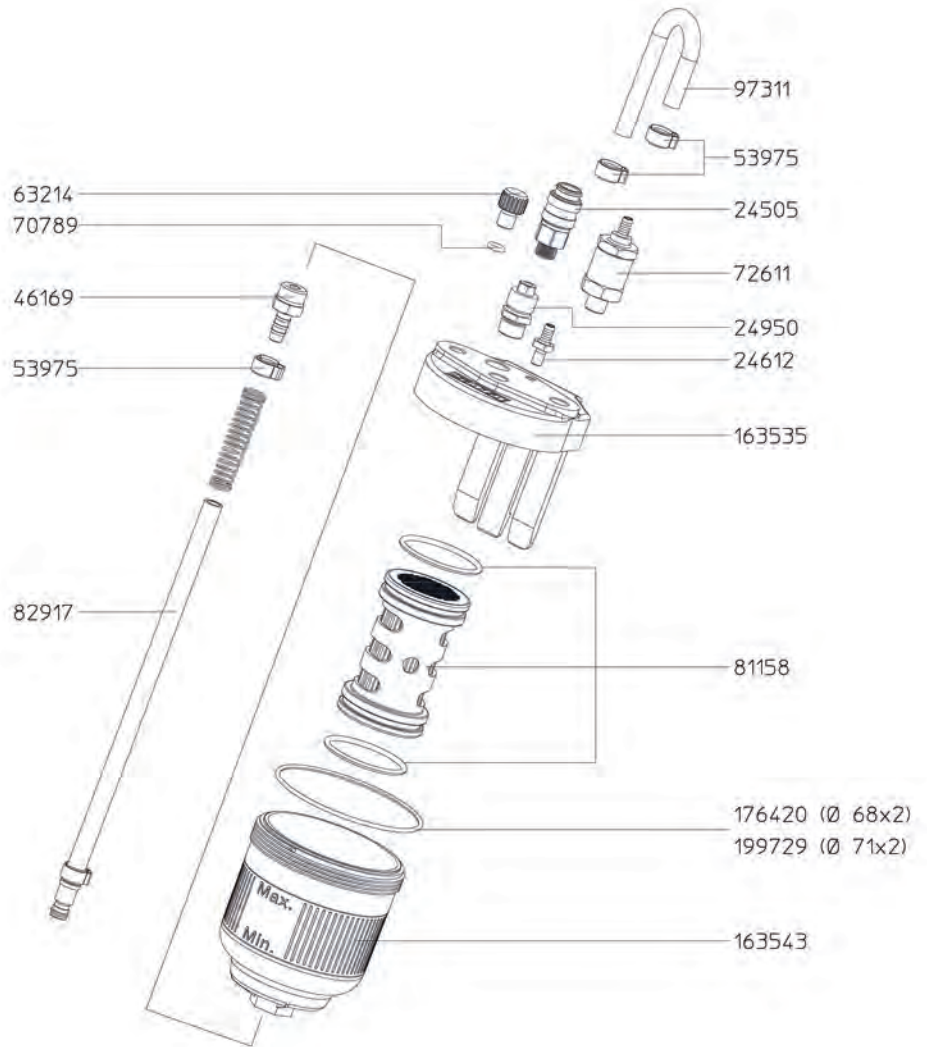
Head and chest cloth, grey for SATA vision 2000

SATA top air
Spare parts

163535
Holder
163543
Container with acme thread
176420
O-ring 68 x 2.0 NBR for SATA top air
199729
O-Ring for SATA top air
24505
Safety quick closure coupling, free passage, for SATA top-air
24612
Nipple
24919
O-ring
24950
Safety valve, complete, for SATA top-air
46169
Plug-in nipple for SATA top-air
53975
Hose clamp 10.5 GER
63214
Closing screw for SATA top-air
70789
O-ring 5 x 2 mm, ethylene-propylene, for control piston SATA LP90
72611
Valve, complete, for SATA top-air
81158
Humidifier module cpl.
82917
Breathing air hose, cpl.
97311
PVC hose 4 x 2 mm x 110 mm

SATA air warmer
Spare parts

1099
Closing screw DIN 906 G 1/8-ST., nickel-plated
1503
Countersunk screw M4 x 8 DIN 965, stainless steel, for micrometer und round/flat spray control
29413
Nipple
53934
Safety quick coupling for SATA full face respirator
65557
Control knob



SATA air star F



Available versions

134353

SATA air star F, filter A2:P3 R D, 2 pre-filter holders and 10 pre-filters



134288

SATA air star F (Int.) , filter A2:P3 D, 2 pre-filter holders and 10 pre-filters, with hygiene box



Filtering mask for short usage periods during small paint jobs.

Accessories

91553

Storage box for SATA air star F



134965

SATA half mask cleaner (packing unit 10 pieces) Please observe: The supplied product has a limited use-by date!



135020

SATA half mask cleaner (packing unit 50 pieces) Please observe: The supplied product has a limited use-by date!

Spare parts

SATA air star F

134239

Pre-filter (packing unit 50 pieces) Please observe: The supplied product has a limited use-by date!

134247

Pre-filter holder, red (packing unit 2 pieces) and pre-filter (packing unit 10 pieces) Please observe: The supplied product has a limited use-by date!

134254

Head strap with fixing unit and yoke for SATA air star C

134262

Pre-filter (packing unit 10 pieces) Please observe: The supplied product has a limited use-by date!

134270

Inhalation and exhalation diaphragms (packing unit 5 pieces or 10 pieces, resp.) Please observe: The supplied product has a limited use-by date!

134296

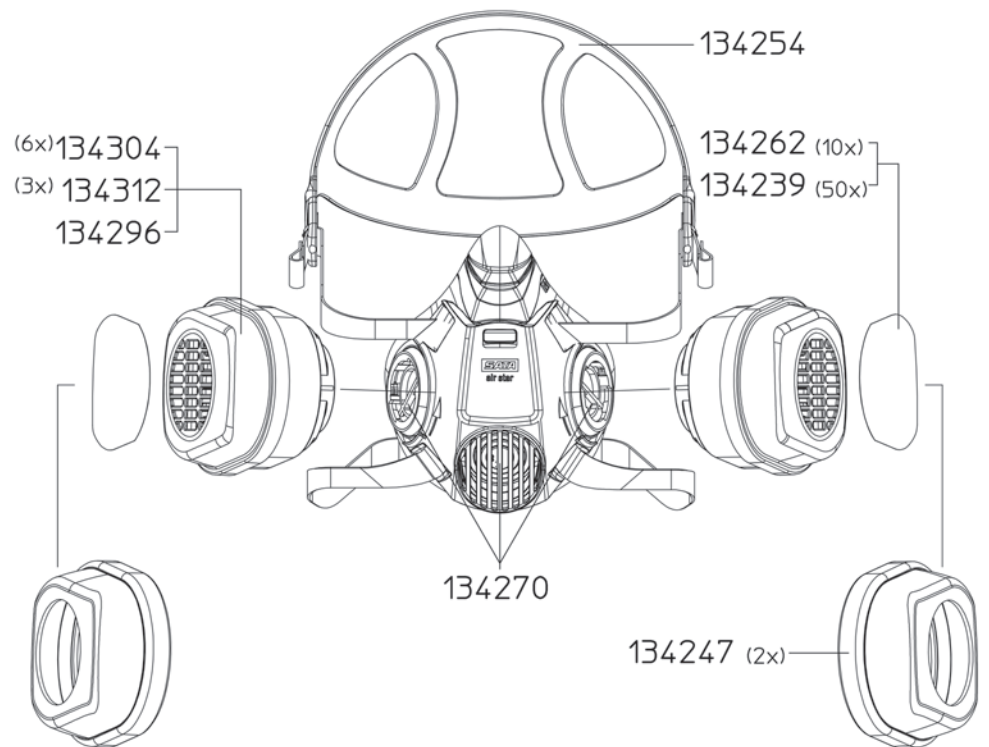
Special filter A2:P3 R D (1 pair) Please observe: The supplied product has a limited use-by date!

134304

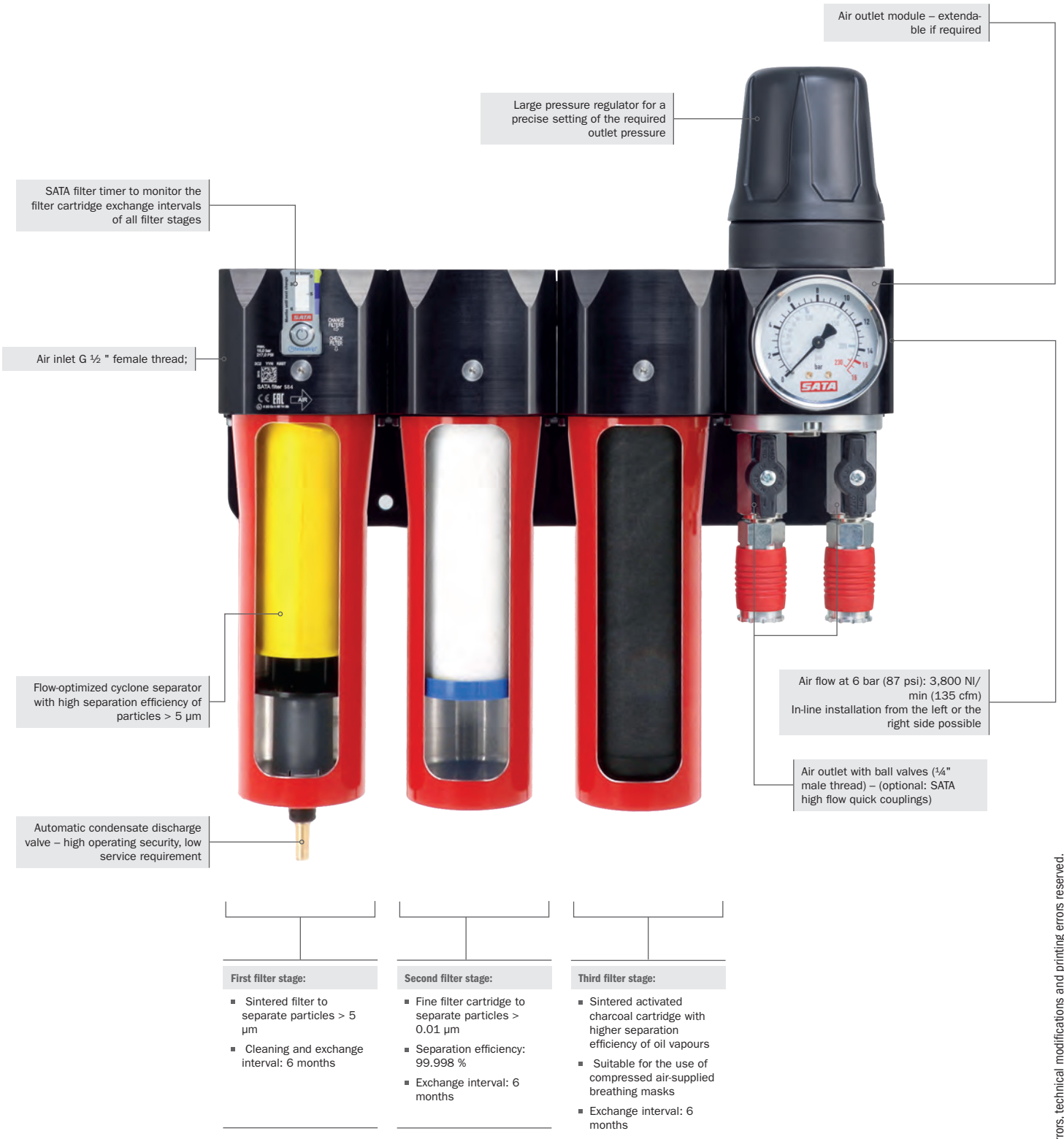
Special filter A2:P3 R D (6 pairs) Please observe: The supplied product has a limited use-by date!

134312

Special filter A2:P3 D (3 pairs) Please observe: The supplied product has a limited use-by date!



Filter Technology



Filter Technology

Product description

Product advantages



SATA filter
584/564/544/524
108

The SATA filter series 500 is available either as a one-stage sintered filter with water and oil separator, as a two-stage combination filter with sintered and fine filter, or as a three-stage filter unit with additional sintered activated charcoal filter.

- Higher absorption of contaminations (compared to SATA filter 484) due to the new sintered activated charcoal filter
- Synchronised maintenance: Filter maintenance only necessary every six months for all stages
- Maintenance-free bayonet lock with haptic and acoustic feedback
- Fine filter and activated charcoal filter cartridges fit perfectly by simply being inserted – no screw fittings or additional seals
- Simple plug-in system for upgrading SATA filter 544 to 584
- Maintenance-free sealing elements
- Line connection possible either from the left or the right side
- Air flow at 6 bar: 3,800 NI/min



**SATA filter 103 prep/
101 prep/100 prep**
114

The SATA filters 100 prep and 103 prep have been specially developed for the requirements at the work preparation area. By using these filters, coating flaws can be avoided from the beginning. Not suitable for use in spray booths.

- Finest particles are separated down to a size of 0.1 µm
- The first filter stage with large cyclone separator and sinter filter reliably removes oil droplets, condensate and suspended particles from the compressed air.
- The second filter stage, the microfiber fine filter, separates fine particles down to a size of 0.1 µm
- The third filter stage with activated charcoal provides the highest level of safety when processing waterborne primer materials.
- The automatic condensate drain of the 1st filter stage keeps the service effort low and increases the operational reliability
- Pressure regulator valve with gauge for precise adjustment of the outlet pressure
- Ideal for the work preparation area with temperatures < 50 °C
- Air flow rate 800 NI/min at 6 bar inlet pressure.

SATA filter

584/564/544/524

Technical Data	SATA filter 584/564/544/524
Max. air flow	3800 l/min
Max. allowed ambient temperature (with activated charcoal / without activated charcoal)	+60 °C; +120 °C
Max. air inlet pressure	15,0 bar
Thread connection inlet side	G 1/2" (female thread)



Combi filter

1099953

SATA filter 584 triple-stage sinter filter/fine filter/activated charcoal with pressure regulator and outlet module (2 x 1/4" male thread) (Int.)



1101675

SATA filter 584 mobil, triple-stage sintered filter/fine filter/activated charcoal with pressure regulator, air outlet (2x quick coupling) and SATA air hose, 13 mm with trolley



1101625

SATA filter 584 with carrying support triple-stage sinter filter/fine filter/activated charcoal, pressure regulator, outlet module (2 x 1/4" male thread)



1101005

SATA filter 564 add-on kit activated charcoal filter to retrofit SATA filter 544 to SATA filter 584



1100990

SATA filter 544 double-stage sinter filter/fine filter with pressure regulator and outlet module (2 x 1/4" male thread)



1101659

SATA filter 524 single-stage sinter filter, pressure regulator, outlet module (2 x 1/4" male thread)



Combi filter

1101641

SATA filter 524 L single-stage sinter filter, pressure regulator, for pipeline installation (G 1/2" female thread)



1101667

SATA pressure reducer with gauge 0-10 bar (0-145 psi), air outlet G 1/2" (female thread)



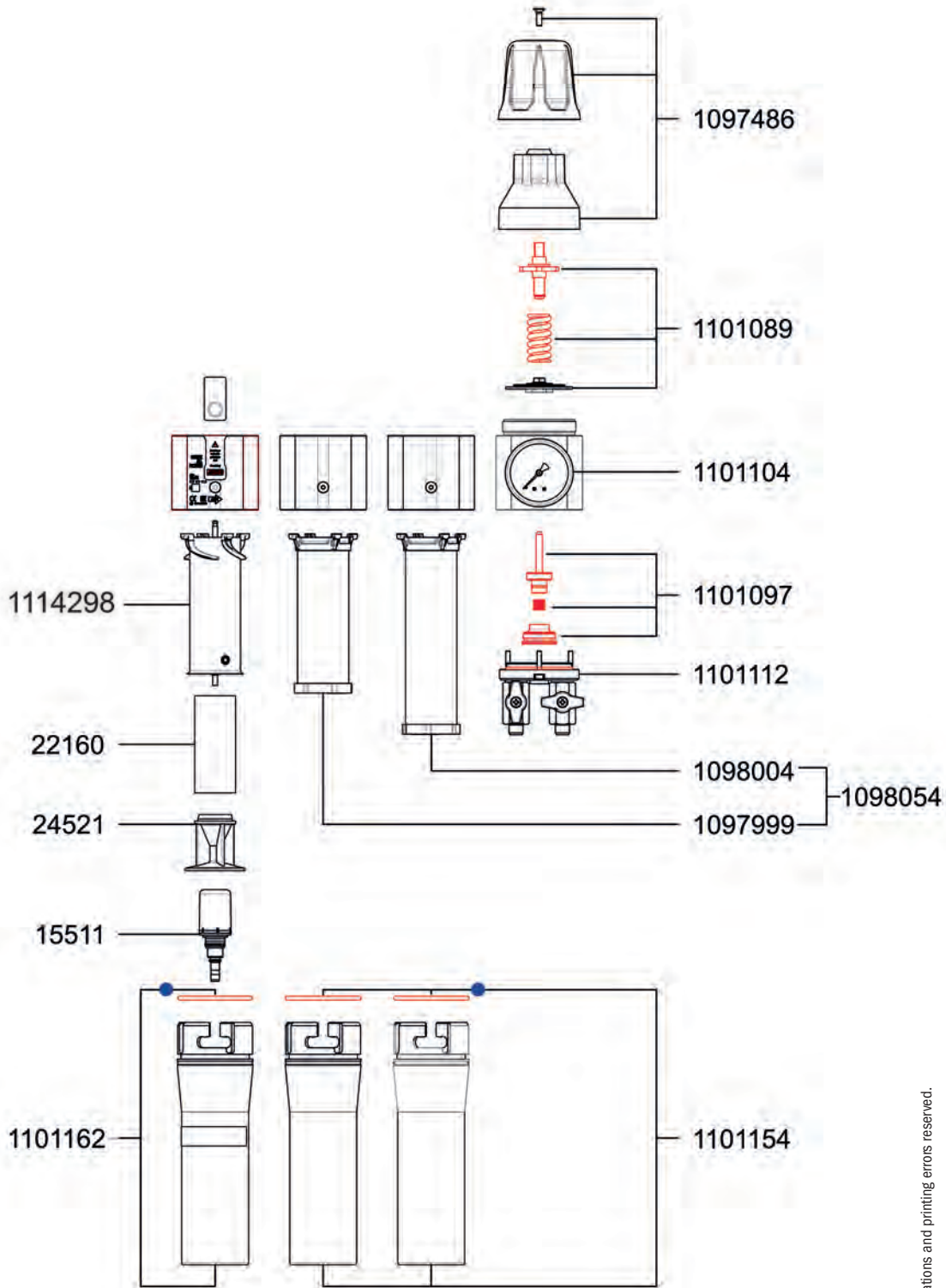
SPRAY GUNS
 CUP SYSTEMS
 BREATHING PROTECTION
 FILTER TECHNOLOGY
 ADDITIONAL PRODUCTS
 MERCHANDISING ITEMS

Spare parts

SATA filter

584/544

1097486	Pressure reducer with pressure adjustment screw and countersunk screw
1097999	Fine filter cartridge
1098004	Activated charcoal cartridge
1098054	Service kit for SATA filter series 500: with fine filter and activated charcoal cartridge
1101089	Diaphragm incl. pressure spring and spindle
1101097	Pressure steering unit
1101104	Pressure gauge 0 - 15 bar (0-145 psi)
1101112	Cover unit with ball valves 2 pcs.
1101154	Filter housing
1101162	Filter sleeve with automatic discharge valve
1114298	Cyclone separator
15511	Automatic condensate drain valve
22160	Sintered filter
24521	Condensate retainer



Repair kit

1102087
Service unit SATA Filter series 400

1101518
Sealing kit

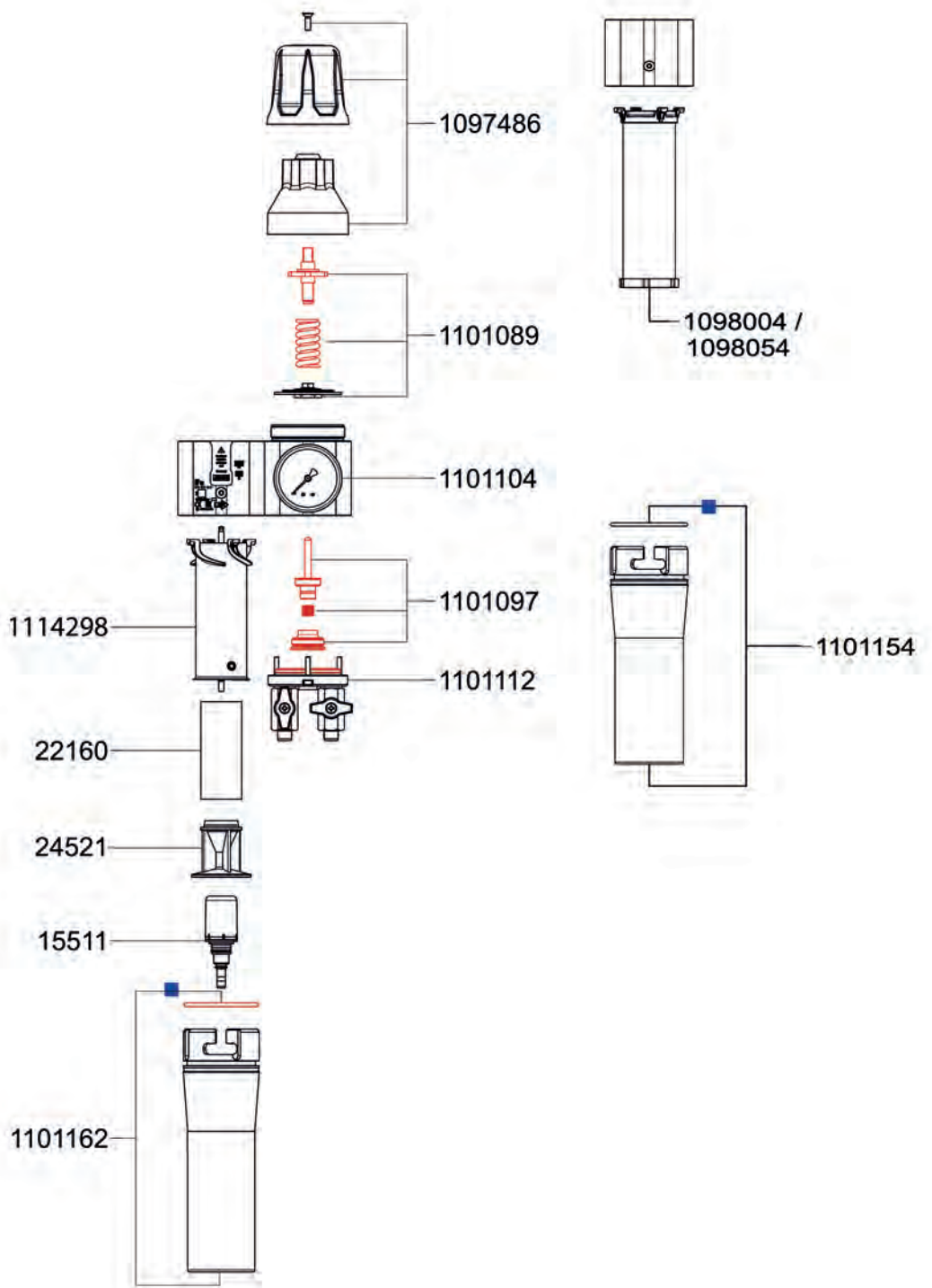


Spare parts

SATA filter

564/524

1097486	Pressure reducer with pressure adjustment screw and countersunk screw
1098004	Activated charcoal cartridge
1098054	Service kit for SATA filter series 500: with fine filter and activated charcoal cartridge
1101089	Diaphragm incl. pressure spring and spindle
1101097	Pressure steering unit
1101104	Pressure gauge 0 - 15 bar (0-145 psi)
1101112	Cover unit with ball valves 2 pcs.
1101154	Filter housing
1101162	Filter sleeve with automatic discharge valve
1114298	Cyclone separator
15511	Automatic condensate drain valve
22160	Sintered filter
24521	Condensate retainer



Repair kit

1102087	Service unit SATA Filter series 400
1101518	Sealing kit

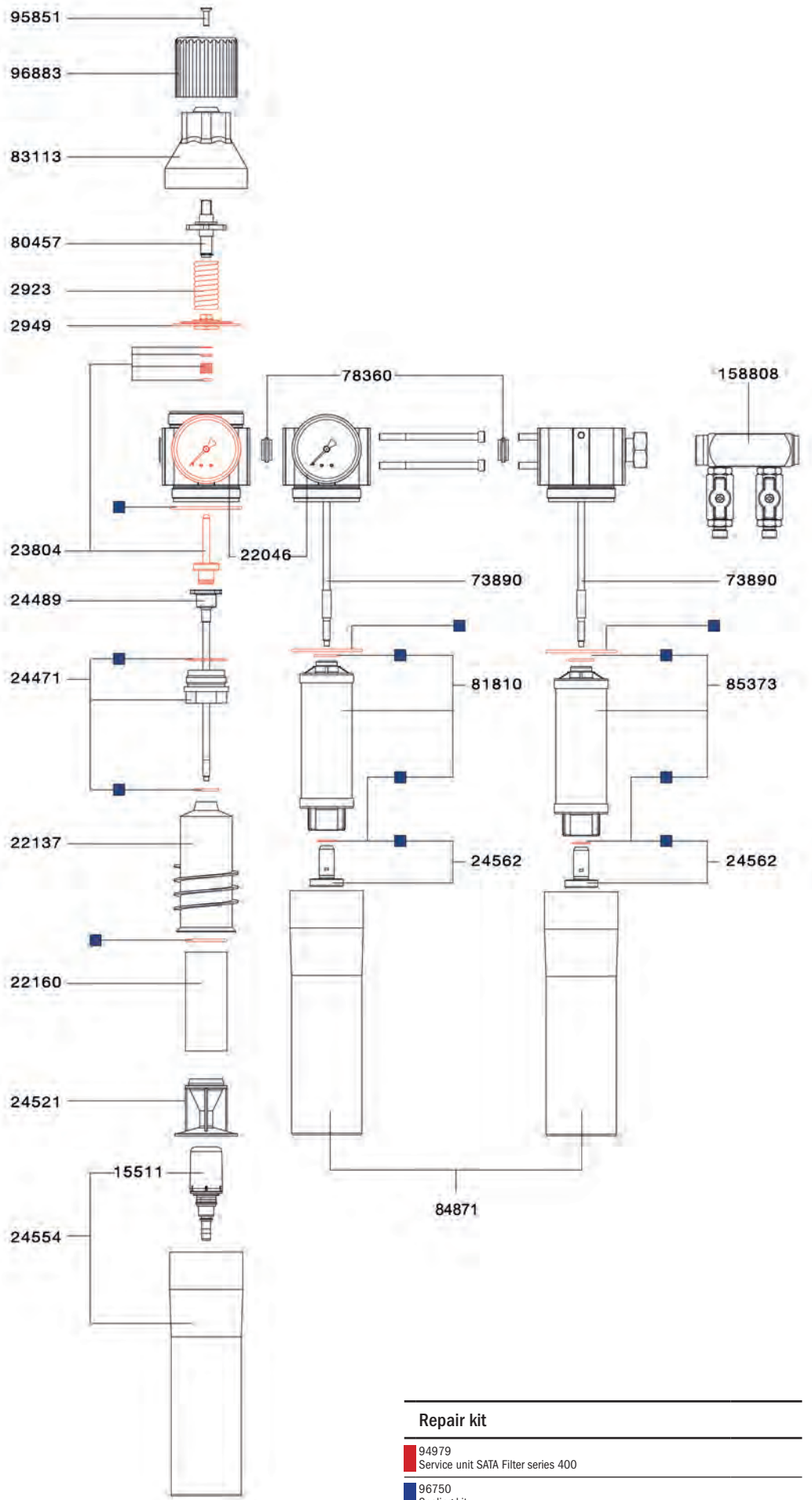
SPRAY GUNS
 CUP SYSTEMS
 BREATHING PROTECTION
 FILTER TECHNOLOGY
 ADDITIONAL PRODUCTS
 MERCHANDISING ITEMS

Spare parts

SATA filter

484/474/444

15511
Automatic condensate drain valve
158808
Manifold 2x 1/4" (male thread)
22046
Pressure gauge 0 - 10 bar, 50 mm
22137
Cyclone separator
22160
Sintered filter
23804
Pressure valve
24471
Plastic nut with 2 O-rings for SATA filter series 300 and 400
24489
Threaded rod with pressure valve head
24521
Condensate retainer
24554
Filter sleeve with automatic discharge valve
24562
Adapter, cpl. with O-ring
2923
Pressure spring
2949
Diaphragm
73890
Threaded rod
78360
Gasket
80457
Spindle for SATA filter series 400
81810
Fine filter cartridge
83113
Fixing nut
84871
Filter sleeve
85373
Activated charcoal cartridge
95851
Countersunk screw M 5 x 16
96883
Pressure adjustment screw



Repair kit

- 94979 Service unit SATA Filter series 400
- 96750 Sealing kit

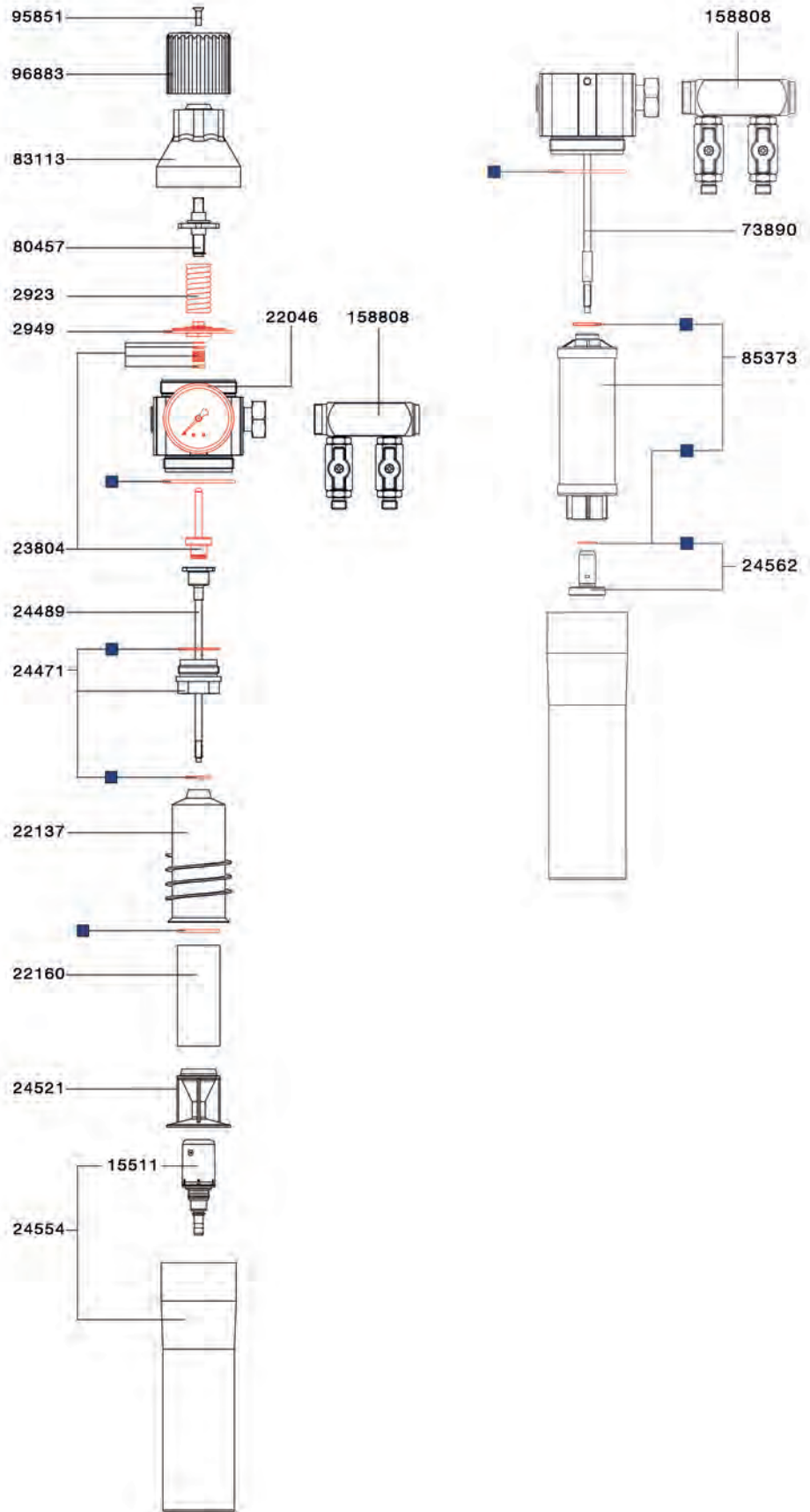


All prices are recommended list prices. Errors, technical modifications and printing errors reserved.

Spare parts

SATA filter
464/434/
424/414

15511
Automatic condensate drain valve
158808
Manifold 2x 1/4" (male thread)
22046
Pressure gauge 0 - 10 bar, 50 mm
22137
Cyclone separator
22160
Sintered filter
23804
Pressure valve
24471
Plastic nut with 2 O-rings for SATA filter series 300 and 400
24489
Threaded rod with pressure valve head
24521
Condensate retainer
24554
Filter sleeve with automatic discharge valve
24562
Adapter, cpl. with O-ring
2923
Pressure spring
2949
Diaphragm
73890
Threaded rod
80457
Spindle for SATA filter series 400
83113
Fixing nut
85373
Activated charcoal cartridge
95851
Countersunk screw M 5 x 16
96883
Pressure adjustment screw



Repair kit

94979	Service unit SATA Filter series 400
96750	Sealing kit

SATA filter 103 prep/101 prep/100 prep

Technical Data	SATA filter 103 prep/101 prep/100 prep
Max. air flow	800 NI/min
Max. allowed ambient temperature (with activated charcoal / without activated charcoal)	+50 °C
Max. air inlet pressure	10,0 bar
Thread connection inlet side	G 1/2" (female thread)



Available versions

157420

SATA filter 103 prep triple-stage sinter filter/fine filter/activated charcoal filter with pressure regulator and 1 outlet tap (1/4" male thread)



157412

SATA filter 101 prep single-stage activated charcoal filter to retrofit filter 100 prep to filter 103 prep



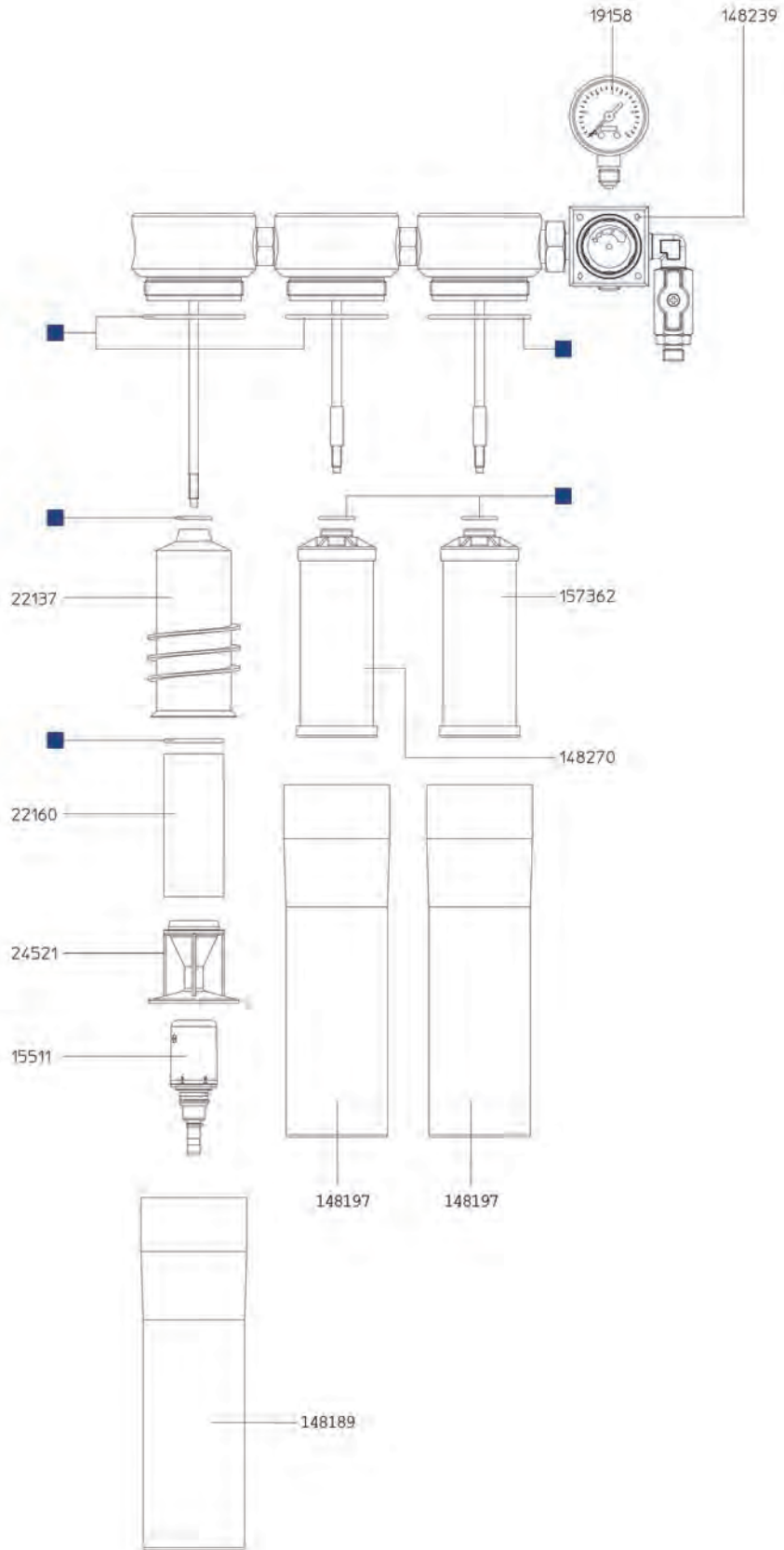
148247

SATA filter 100 prep double-stage sinter filter/fine filter with pressure regulator outlet (1 x 1/4" male thread)



Spare parts
SATA filter 103
prep

148189
Filter housing, drilled and coated
148197
Filter sleeve, processed and coated
148239
Pressure regulation valve
148270
Fine filter cartridge
15511
Automatic condensate drain valve
157362
Activated charcoal cartridge
19158
Pressure gauge 0 - 10 bar, 50 mm
22137
Cyclone separator
22160
Sintered filter
24521
Condensate retainer



Repair kit

148528
Sealing kit

Accessories for SATA filter series

Filter cartridges

1098054

Service kit for SATA filter series 500: with fine filter and activated charcoal cartridge



214270

SATA six pack with #81810 (packing unit 2 pieces) and #85373 (packing unit 4 pieces) for SATA filter 484



138933

Service kit for filter series 400: with fine filter cartridge and activated charcoal cartridge



1098004

Activated charcoal cartridge for SATA filter series 500



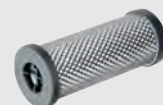
85373

Activated charcoal cartridge for SATA filter series 200, 300 and 400



157362

Activated charcoal cartridge for SATA filter series 100 prep



1097999

Fine filter cartridge for SATA filter series 500



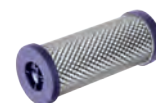
81810

Fine filter cartridge for SATA filter series 200, 300 and 400



148270

Fine filter cartridge for SATA filter series 100 prep



22160

Sintered filter for all SATA filter series



206151

SATA filter timer for sinter filter



Filter Accessories

1114305

Wall-mounted holder for SATA filter 584- special version for installation in existing compressed air line systems



Filter Accessories

1101146
Manifold SATA filter 500



1107269
SATA high-flow coupling, red, packaging unit 2 pcs. for SATA filter series 500



158824
Manifold for extension with 2 ball valves for SATA filter series 400



13599
SATA quick coupling G 1/4" (female thread)



10934
Ball tap (Teflon) 1/2" male thread for air inlet SATA filter series 100, 300, 400, 500 and cleaning devices



9878
SATA mini filter 1/4" (male thread)



1101500
SATA filter cover (packing unit 4 pieces) for SATA filter series 500



215053
SATA filter cover (packing unit 4 pieces) for all SATA filter series, except 500



Air quality control

7096
SATA air check set compressed air quality control device for optimum spray air



7666
Diaphragm (packing unit 10 pieces) for SATA air check set

156299
SATA air tester, atomisation air quick tester



1107350
Service chart for the spray booth, A3, German / English for SATA filter series 500




133587
SATA Service Tacho for the paint spray booth, German/English, DIN A3





Additional products	Product description	Product advantages
 <p>SATA mini set 2 122</p>	<p>The SATA mini set 2 pressure pot processes materials up to two litres. Due to the double pressure reducer, an optimum pressure of material and atomising compressed air is achieved. The pulsation-free and even material supply enables perfect painting finishes and saves time due to continuous work without interruptions.</p>	<ul style="list-style-type: none"> • Time saving through continuous working without interruption • Unrestricted mobility thanks to the shoulder belt - especially in commercial vehicles as well as when using ladders or scaffolding • For supplying material pressure fed spray guns, such as the SATAjet 3000 K
 <p>SATA paint set 10 124</p>	<p>The SATA paint set 10 liter is a robust paint pressure tank made of stainless steel for processing material up to a volume of 10 litres. The air atomizing painting system is ideal for processing large amounts of material.</p>	<ul style="list-style-type: none"> • Flexible – ideal for combination with all material-fed SATA high and low pressure guns • Versatile – for use with paints, architectural coatings, dispersions, spray plasters, adhesives and release agents • Individual solutions possible – Extensive range of accessories such as double pressure reducers, electric, pneumatic and manually operated agitators, trolleys, connection for a second paint spray gun as well as a special version for processing water-based systems
 <p>SATA Paint Pressure Tanks 24 l / 48 l 126</p>	<p>The robust SATA material pressure tanks made of stainless steel are suitable for processing large amounts of material up to a volume of 24 or 48 litres.</p>	<ul style="list-style-type: none"> • Special versions - with bottom outlet for particularly high viscosity materials • Flexible – ideal for combination with all material-fed SATA high and low pressure guns • Individual special solutions - with a comprehensive accessories programme, such as double pressure reducer, electronic, pneumatic and manual agitators, trolleys, connections for a second spray guns as well as insert pots.
 <p>SATA vario top spray 130</p>	<p>The high-performance double diaphragm pump SATA vario top spray is the perfect system for continuous application of larger material amounts. The SATA vario top spray is a real problem solver in vehicle and industrial painting, in machine construction, as well as in wood and furniture painting. All solvent-based paint systems of the most varied viscosities and structures, but also water-based paints, can be processed without problems.</p>	<ul style="list-style-type: none"> • Efficient - continuous operation and high area output • Versatile - finest atomization of pre- and topcoats with proven and high-quality SATA paint spray guns • Variable - modular device design for optimum adaptation to any task • High performance and low wear - through proven double diaphragm technology • Robust stainless steel design for water-based paint systems
 <p>Grit blasting equipment / Blow Guns / Bodyshop equipment 134</p>	<p>The versatile grit blasting unit with suction system removes rust and makes surfaces adhesive. For car repair, carpenters, painters and for the industry. The SATA blasting set consists of the SATA blasting spray gun, protective hood and gloves.</p>	<ul style="list-style-type: none"> • Spraying pipe with carbide insert (lifetime of spraying pipe approx. 500 h), cup and quick release fastener • Abrasive grain size 0.1 – 0.6 mm • Air consumption approx. – 700 NI/min at 5 – 10 bar

Additional products	Product description	Product advantages
 <p>Rustproofing equipment 136</p>	<p>High-performance equipment for the application of different materials for cavity preservation and underbody protection. The SATA-HRS pressurised cup spray gun for cavity preservation uses compressed air atomising technology. Particularly in the case of cavity preservation, many years of experience have shown that air-atomizing overpressure systems are ideally suited to transport preservation waxes evenly and finely atomized into every corner of the cavity. In the field of corrosion protection, a wide range of cavity wands and nozzles is available for the application of standardized as well as VOC-compliant, high-solids wax materials.</p>	<ul style="list-style-type: none"> • Efficient application of rust-proofing wax in vehicle cavities • Possibility of using different wand systems for cavity preservation and underbody protection • Low wear and maintenance, sturdy version for bodyshops • For all purposes – also for the application of large surfaces with special wand and nozzle systems • Easy coupling system for quick wand exchange
 <p>SATA clean RCS 140</p>	<p>The SATA clean RCS is a compressed air operated cleaning system for the intermediate cleaning of the spray guns. SATA clean RCS – the turbo cleaner in the spray booth allows one or more colour changes in succession with extremely short cleaning interruptions, saving additional working distances and increasing productivity and efficiency.</p>	<ul style="list-style-type: none"> • Quick and safe colour changes when using multi-purpose cups (such as SATA RPS) - even with critical colour changes, e.g. black and white • No need to disconnect the spray gun or adjust the inlet pressure - automatic pressure adjustment when switching between "spraying" and "cleaning" • Increased efficiency - through optimized work processes and booth utilization • Thorough - Cleaning the material passage and the air nozzle • Universal - suitable for water- and solvent-based coating systems
 <p>SATA multi clean 2 143</p>	<p>Paint spray guns should be thoroughly cleaned at least once a day and rinsed after each painting job. This can be done gently, conveniently and economically with the SATA multi clean 2 – the powerful automatic washing machine with hand washing place and extraction unit.</p>	<ul style="list-style-type: none"> • Brush soaked in cleaning agent for manual cleaning • Low-pressure air connection to prevent cleaning solution from penetrating the air passages of the spray gun during the cleaning and rinsing process. • Powerful, pneumatically operated double diaphragm pump – robust and low-wear • Two separate storage containers for the cleaning and rinsing cycle • Only 0.2 l of fresh cleaning solution needed for each cleaning cycle – fresh cleaning solution is only required for the rinsing process • Replaceable filter mat (Art. No. 38042) to absorb coarse residues • Automatic fume extraction system protects the painter from harmful vapours whilst the lid of the cleaning chamber is open
 <p>SATA trueSun 144</p>	<p>The SATA trueSun daylight solution has a wide colour spectrum and reproduces colour tones true to original: The even light distribution over the illuminated surface reliably helps bodyshops to find the right colour and to avoid wrong decisions and thus extra work. The continuously adjustable light intensity remains constant over the entire battery life.</p>	<ul style="list-style-type: none"> • Almost like daylight - best possible colour reproduction and visibility of effect pigments • Uniform light distribution - across the entire light cone • Strong and fast-charging battery - approx. 70 minutes operating time at full light intensity and full charging cycle in approx. 50 minutes • Constant light intensity – independent of the battery charge state • Infinitely adjustable light intensity • Paint defects such as cloudiness can be easily detected

Additional products	Product description	Product advantages
 <p data-bbox="331 246 507 302">SATA dry jet 2 146</p>	<p data-bbox="683 246 1066 582">With the SATA dry jet 2 dry blow gun, you can significantly shorten the flash-off and thus the cabin occupancy times. It uses the so-called Venturi principle. In addition to the supplied compressed air, a multiple of ambient air is sucked in. The uniform, wide air flow generated in the injector zone of the wide spray nozzle also contributes to a reduction in flash-off time. Thus, the SATA dry jet 2 achieves an approx. 15 % higher drying performance compared to commercially available models.</p>	<ul data-bbox="1083 246 1487 504" style="list-style-type: none"> • Shorter drying times with water-based paint systems • Low investment costs • Practical product versions • Integrated air regulation • Disposable sieve from the RPS multi-purpose cup system • Ergonomic handle • Easy handling • Long lifetime and low-maintenance

SATA mini set 2

Technical Data	2 l
Air connection thread	1/4" (male thread)
Material connection thread	1/4" (male thread)
Max. operating pressure	2,5 bar
Material container	Aluminium
Material lid	Aluminium
Material suction tube	brass
Fluid group	2



Available versions

120840

SATA mini set 2 pressure pot 2 ltr. single pressure reducer



57232

SATA mini set 2, paint pressure pot 2.0 l; double pressure reducer

56408

SATA Mini Set 2 with SATAjet 3000 K RP 1.1, paint pipe, material filter 60 msh, hose pair 1.5 m



83444

SATA Mini Set 2 with SATAjet 3000 K HVLP 1.2, paint pipe, material filter 60 msh, hose pair 1.5 m

Accessories for SATA mini set 2

5868

Shoulder strap for SATA mini set and SATA mini set 2

19869

SATA hose pair 9 x 9 mm, 1.5 m, G 3/8" and G 1/4" (material), G 1/4" (air) (female thread) for SATA mini set 2

SATA release agent application system

187740

Separating agent spray system, consisting of pressure tank 2 l, DPR (double pressure reducer), SATAminijet 1000 K RP 0.3, hose pair 3 m, complete



187450

SATAminijet 1000 K RP nozzle 0.3 material connection 1/4" (male thread)

187690

SATA paint strainer 60 msh, 1/4" (male thread) for SATAminijet 1000 K

187708

SATA hose pair 6 x 6 mm, 3 m, G 1/4" (female thread) (material and air) for SATA mini set 2

187419

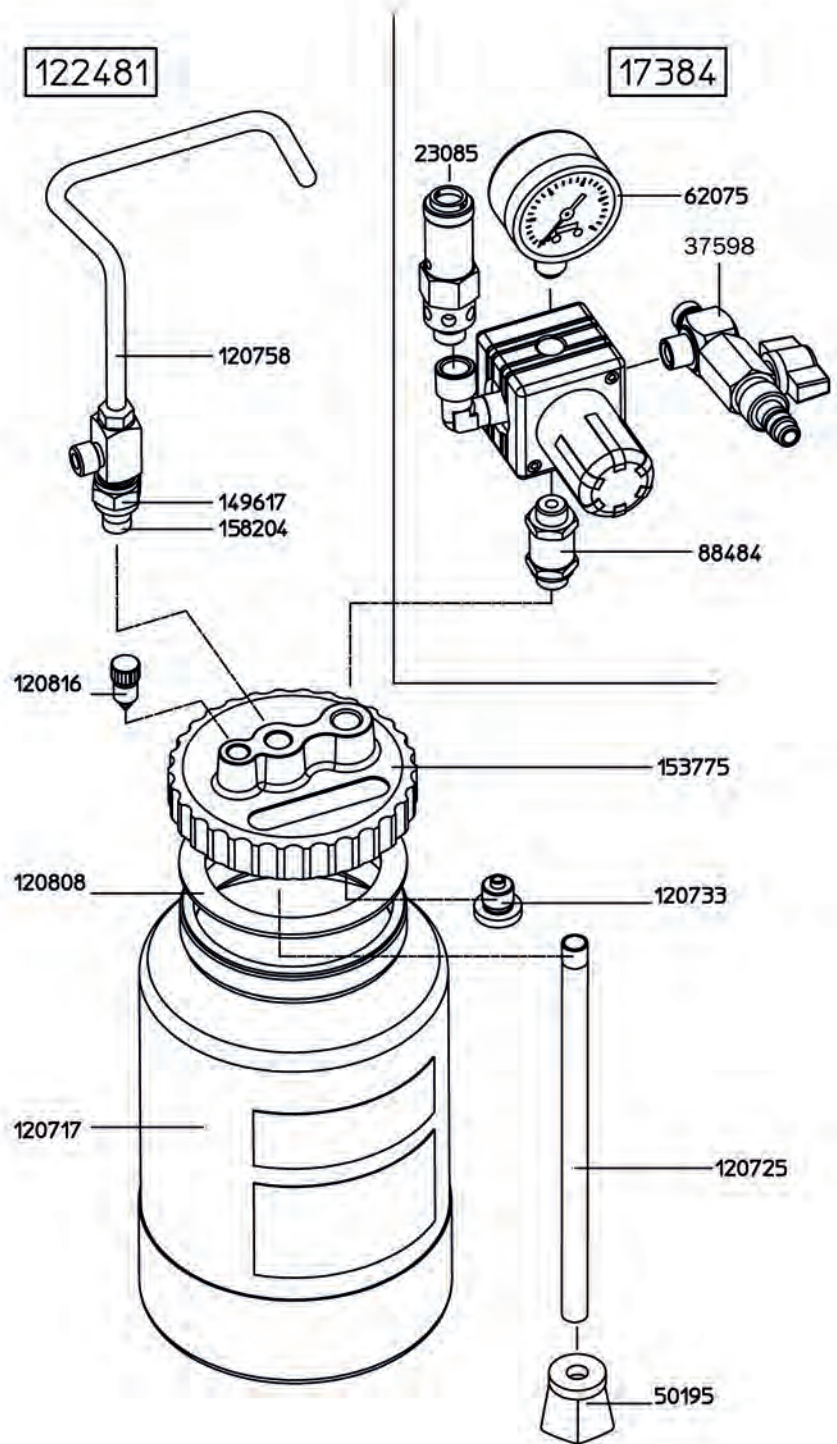
SATA paint tube G 1/4 female thread - 1/4" male thread for SATAminijet 1000 K

The processing of coating materials in fluid group 1 is not allowed.

Spare parts

SATA mini set 2








120717	2,0 l pressure pot, w/o lid
120725	Suction pipe
120733	Closing screw (packing unit 2 pieces)
120758	Handle, cpl.
120808	Sealing ring (packing unit 4 pieces)
120816	Pressure release screw (packing unit 2 pieces)
122481	2,0 l pressure pot, cpl. with handle, w/o controls and instruments
149617	Sleeve nut for handle SATA mini set 2
153775	Screw-on lid for mini set 2
158204	Connection nipple
17384	Pressure regulator with gauge 0-4 bar, safety valve 2.5 bar
20677	Set of wear-and-tear parts for pressure regulation valve
23085	Safety and drain valve 2.5 bar for MINI-SET 2 litres, G 1/4
50195	Strainer (packing unit 2 pieces)
62075	Pressure gauge 0 - 4 bar, 50 mm, red marking at 2.5 bar
88484	One-Way valve



SATA paint set 10

Technical Data	10 l
Air connection thread	1/4" (male thread)
Material connection thread	1/2" (male thread)
Max. operating pressure	3 bar
Material container	Stainless steel version
Material lid	Steel
Material suction tube	Stainless steel version
Fluid group*	2



Sets	Consisting of:					
						
SATA paint set 10						
199273	X	X				
199265	X		X			
14639	X		X	X		
199257			X		X	
14654			X	X	X	
201079				X	X	
16782	X					X
201087	X			X		
14647	X					
14662					X	

Accessories

138917
Surcharge for suction pipe, tap and angle made of stainless steel for SATA paint set 10

14373
Optional (no retrofit): 2. spray gun connection (air and material) for SATA paint set 10 - stainless steel version with Teflon ball valve



47530
Insert pot (not retrofittable), stainless steel for SATA pressure tank FDG 10

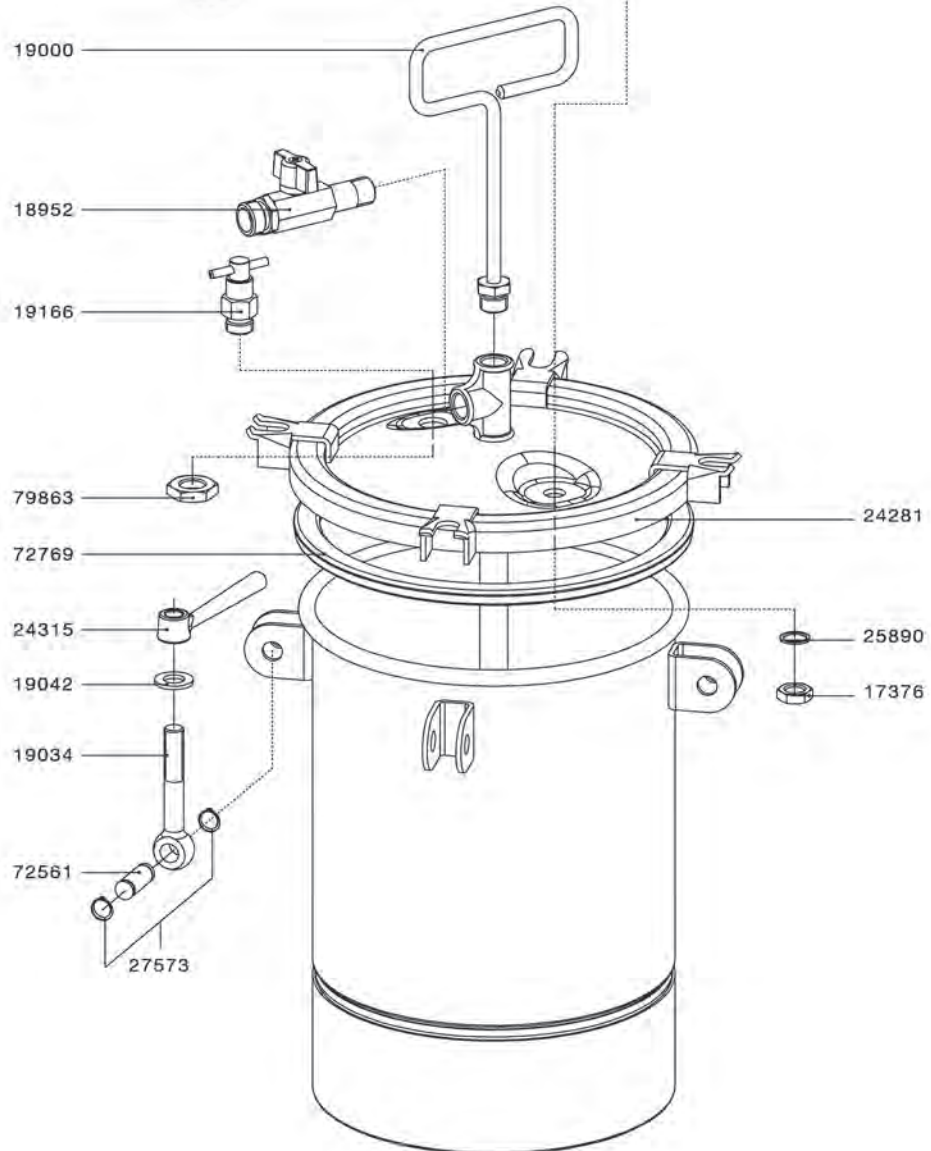
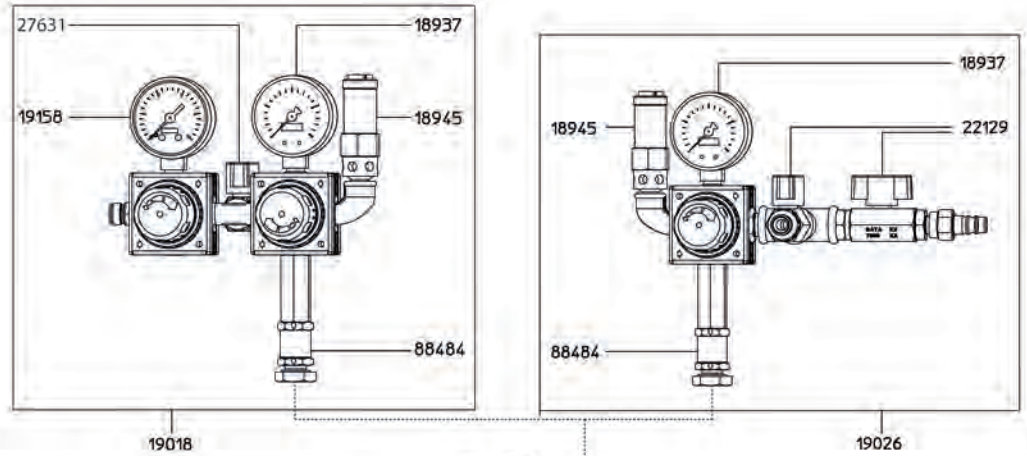


*The processing of coating materials in fluid group 1 is not allowed.

Spare parts

SATA paint set 10

17376
Brass pipe securing nut DIN 431 G 1/4 nickel-plated for ascending pipe SATA Mini-Set 2 I
18937
Pressure gauge 0 - 4 bar, 50 mm, red marking at 3 bar
18945
Safety and drain valve 3 bar, G 1/4 for SATA Paint Set 10 I
18952
Ball tap (Teflon) 3/8" (male thread) x G 1/2" (female thread) material outlet
19000
Handle, cpl.
19018
Double pressure reducer, cpl. with pressure gauge and safety valve 3.0 bar
19026
Single pressure regulator, cpl.
19034
Eye bolt
19042
Retaining washer 13 for SATA Paint Set 10 I, galvanized, 92-5817
19158
Pressure gauge 0 - 10 bar, 50 mm
19166
Air release valve, cpl. 3/8" (male thread)
20677
Set of wear-and-tear parts for pressure regulation valve
22129
Ball tap (Teflon), cpl., 3/8" x 1/4" (male thread)
24281
Lid, black with RILSAN coating, with brackets and T-piece
24315
Securing handle M 12 for SATA pressure pot 10 I
25890
Sealing ring, copper 13x18x1
27573
Safety ring 12 x 1 DIN 471, galvanized
27631
Ball tap (Teflon) 1/4" (male thread) x G 1/4" (female thread)
72561
Bolt
72769
Sealing ring
79863
Hexagon nut G 3/8" (female thread), stainless steel
88484
One-Way valve









SATA Paint Pressure Tanks 24 l / 48 l



Technical Data	24 l	48 l
Air connection thread	1/4" (male thread)	1/4" (male thread)
Material connection thread	1/2" (male thread)	1/2" (male thread)
Max. operating pressure	6 bar	4 bar
Material container	Stainless steel version	Stainless steel version
Material lid	Stainless steel version	Stainless steel version
Material suction tube	Stainless steel version	Stainless steel version
Fluid group*	2	2




SATA paint pressure tank FDG 24N

Consisting of:

					
177725	X				
177758	X	X			
177766	X		X		
177733	X			X	
177774					X
177808		X			X
177816			X		X
177782				X	X

SATA FDG 24U

Consisting of:

		
186189	X	
195370		X

SPRAY GUNS

CUP SYSTEMS

BREATHING PROTECTION







FILTER TECHNOLOGY

ADDITIONAL PRODUCTS

MERCHANDISING ITEMS

SATA paint pressure tank FDG 48N

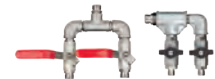
Consisting of:

					
SATA Paint Pressure Tanks 24 l / 48 l	Single pressure reducer	Compressed air agitator with gear drive	Motor driven agitator	Hand agitator	Double pressure reducer
177824	X				
177857	X	X			
177865	X		X		
177832	X			X	
177873					X
177907		X			X
177915			X		X
177881				X	X

Accessories

181990

Optional (no retrofit): 2. spray gun connection (air and material), stainless steel version for SATA FDG 24 N



177923

Optional (no retrofit): 2. spray gun connection (air and material), stainless steel version for SATA FDG 48 N



31302

Insert pot (not retrofittable), stainless steel for SATA pressure tank FDG 24



47639

Insert pot (not retrofittable), stainless steel for SATA pressure tank FDG 48



46037

Trolley, cpl. for SATA FDG 24 and SGE

14332

Trolley, cpl. for SATA FDG 48

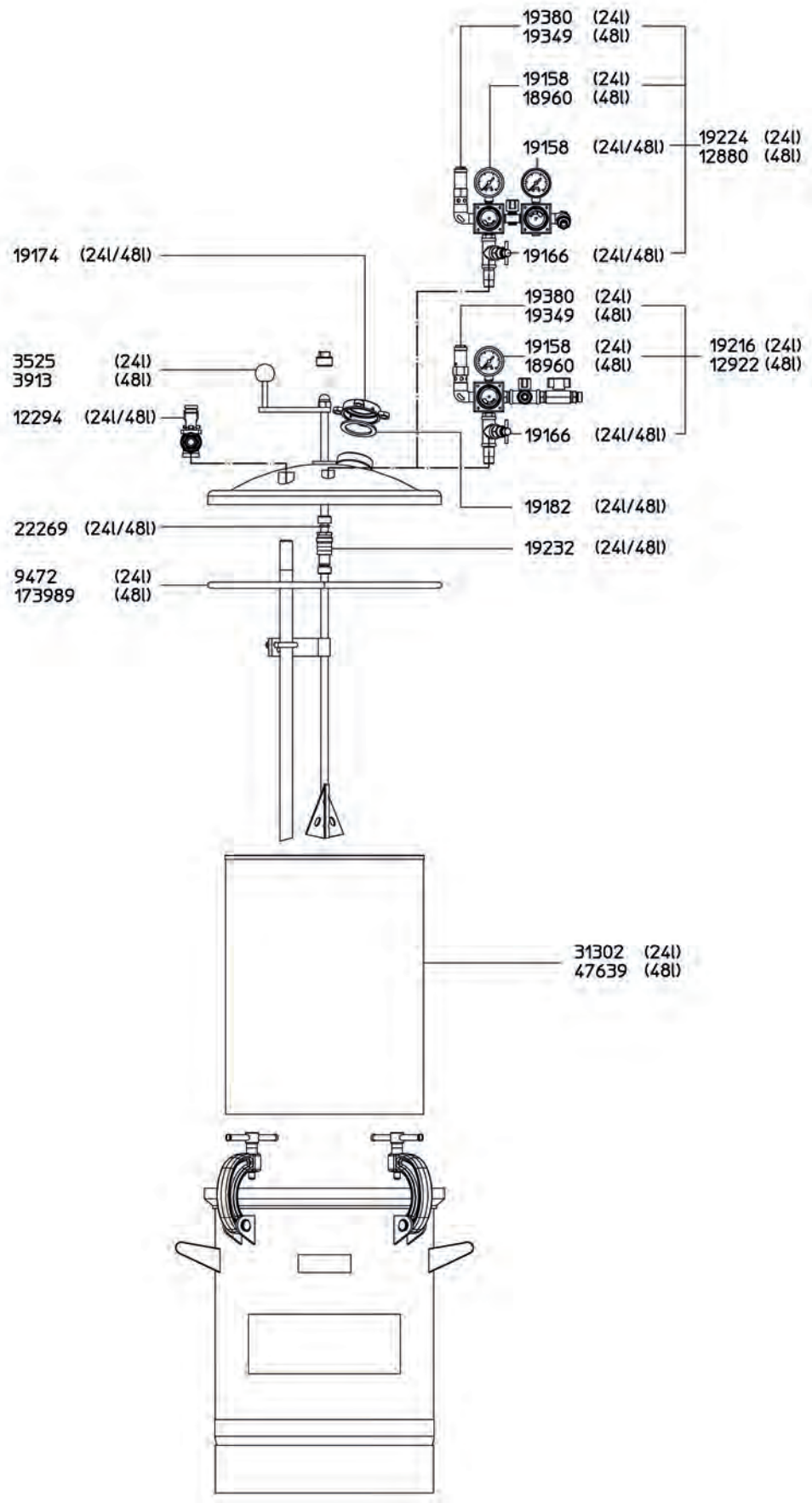


*The processing of coating materials in fluid group 1 is not allowed.

Spare parts

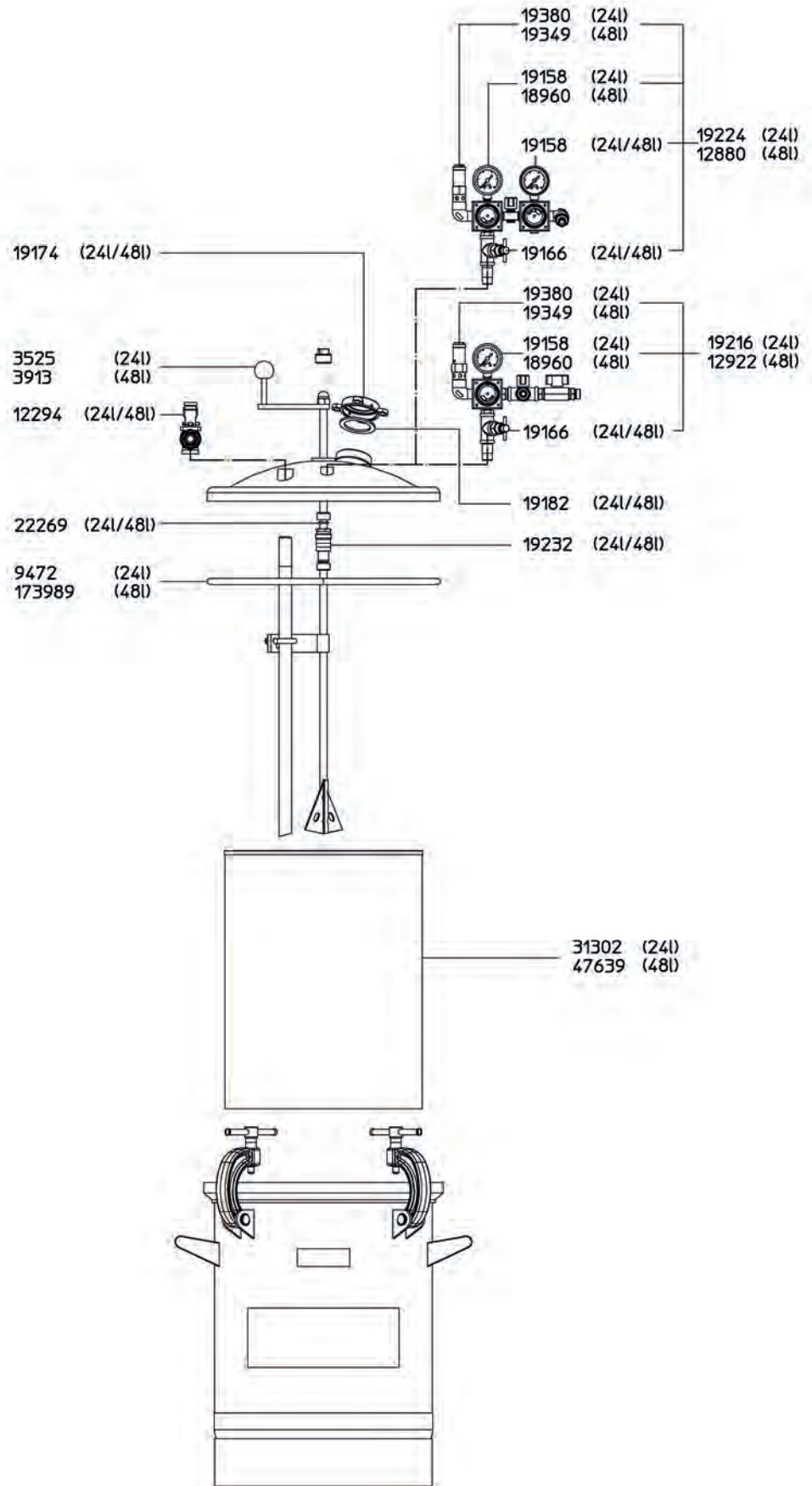
SATA paint pressure tank FDG 24N

12294	Material outlet, stainless steel, 1/2" male thread
19158	Pressure gauge 0 - 10 bar, 50 mm
19166	Air release valve, cpl. 3/8" (male thread)
19174	Lid for filler neck
19182	Gasket for filler neck
19216	Single pressure regulator, cpl. with pressure gauge and safety valve, max. pressure 6.0 bar
19224	Double pressure reducer, cpl. with pressure gauge and safety valve 6.0 bar
19232	Stuffing box (packing unit 3 piece) for manual agitation
19380	Safety valve PN6, 3/8" male thread
22269	O-ring
31302	Insert pot (not retrofittable), stainless steel
3525	Hand agitator, cpl., stainless steel
9472	Sealing ring, EPDM profile string green



Spare parts
SATA paint pres-
sure tank FDG
48N



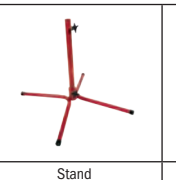
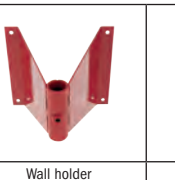
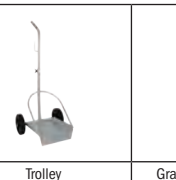


12294
Material outlet, stainless steel, 1/2" male thread
12880
Double pressure reducer, cpl. with pressure gauge and safety valve 4.0 bar
12922
Single pressure regulator, cpl. with pressure gauge and safety valve, max. pressure 4.0 bar
173989
Sealing ring
18960
Pressure gauge 0 - 6 bar, 50 mm, red marking at 4 bar
19158
Pressure gauge 0 - 10 bar, 50 mm
19166
Air release valve, cpl. 3/8" (male thread)
19174
Lid for filler neck
19182
Gasket for filler neck
19232
Stuffing box (packing unit 3 piece) for manual agitation
19349
Safety pressure relief valve G 3/8, set to 4 bar for SATA 48 Euro- pressure pot
22269
O-ring
3913
Hand agitator, cpl., stainless steel
47639
Insert pot (not retrofittable), stainless steel



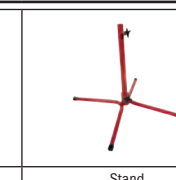
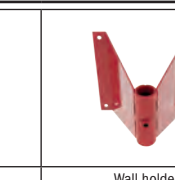
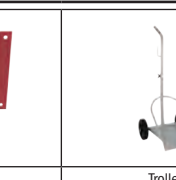



SATA vario top spray

Technical Data	SATA vario top spray
Max. material outlet pressure	8 bar
Pump ratio	1:1
Max. volumetric delivery	32 l/min
Conveyed volume per double stroke	170 cm ³
Min. air inlet pressure	1,0 bar
Max. inlet air pressure	8,0 bar
Weight	6 kg; 12 kg



Available versions	Consisting of:					
						
SATA vario top spray	Suction tube	Stand	Wall holder	Trolley	Gravity flow container	Second gun connection
81661	X	X				
61507	X		X			
61515	X			X		
138941				X	X	
62745	X			X	X	
63974	X			X		X

Versions – pump and material passages made of stainless steel	Consisting of:				
					
SATA vario top spray	Suction tube	Stand	Wall holder	Trolley	Gravity flow container
81406	X	X			
72678	X		X		
72694	X			X	
138958				X	X
95109	X			X	X

SPRAY GUNS

CUP SYSTEMS

BREATHING PROTECTION

FILTER TECHNOLOGY

ADDITIONAL PRODUCTS

MERCHANDISING ITEMS

Spare parts

SATA vario top spray

149716
Gravity flow cup 6 l with lid
149732
Container stud
149740
Gasket for gravity container
149948
Flat sieve 20 mesh (packing unit 2 pieces)
156026
Pressure gauge 0 - 6 bar, 50 mm, G 1/4
17483
Trolley, cpl.
19158
Pressure gauge 0 - 10 bar, 50 mm
19851
Sieve hose (packing unit 10 pieces)
23986
Air connection for second spray gun, cpl.
24240
Single pressure regulator, cpl. with pressure gauge 0 - 10 bar
29918
Circlip for suction globe Spray-Mix, Vario-Top-Spray and Multi-Top
74187
Suction globe, cpl. version for waterborne materials
81604
Wing-shaped handle for stand, SATA pumps and dry-jet
82107
Double pressure reducer, cpl. with pressure gauge 0 - 10 bar

Standard version

SATA vario top spray

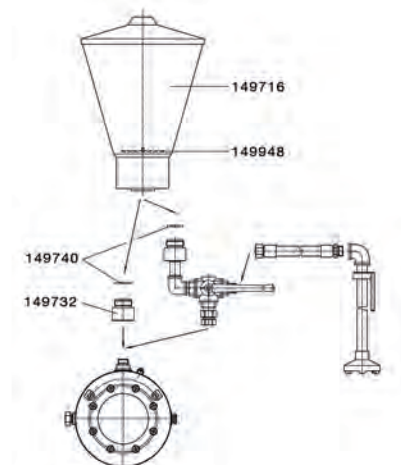
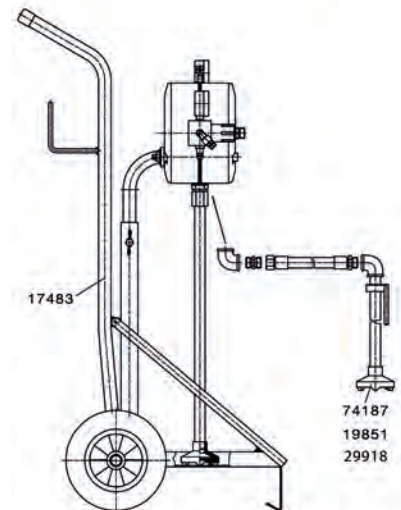
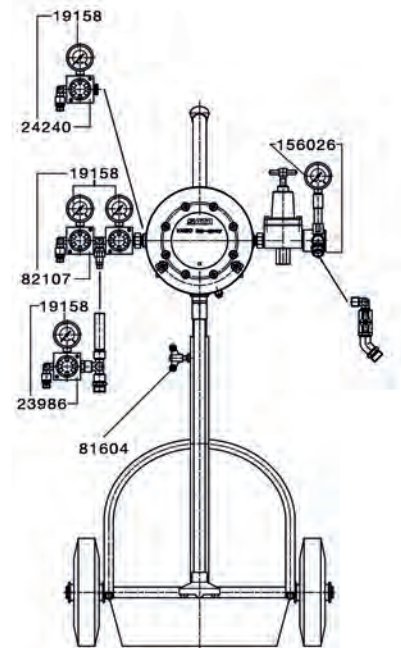
24422
Material fine pressure regulator, cpl.
37986
Add-on kit gravity container PVC 6 l, cpl. with 3-way ball valve and holder
41368
Angle G 1/2" (female thread), galvanised
41384
Threaded nipple 1/2" (male thread), galvanised
61192
Double diaphragm pump 1:1, coated version, material connection M 25 x 1.5, male thread, air inlet 1/4" (male thread), grounding cable
62232
Suction hose, cpl.
72918
Material connection for second spray gun, cpl. for material fine pressure regulator
73866
Suction pipe, cpl. with suction globe and sieve insert
74237
Sieve unit, mesh size 0.5, f. SATA VARIO top-spray, f. water borne paints
74245
Sieve unit, mesh size 1.0, f. SATA VARIO top-spray, f. water borne paints
79921
Suction pipe, cpl. with suction globe and sieve insert
82909
Conversion set for gravity container SATA Top-Spray

Stainless steel version

SATA vario top spray

25338
Material fine pressure regulator, cpl., stainless steel
37226
Add-on kit gravity container PVC 6 l version for waterborne paint, cpl. with 3-way ball valve and holder
45047
Suction hose, cpl., connections stainless steel
56564
Angle 90°, stainless steel

57570
Material connection for second spray gun, stainless steel, cpl. for material fine pressure regulator
74203
Suction pipe, cpl. stainless steel
74211
Conversion kit for gravity flow container SATA VARIO top-spray, f. water borne paints
80879
Suction pipe, cpl. stainless steel
82941
Double nipple 1/2" male thread, stainless steel
88641
Double diaphragm pump 1:1, stainless steel, material connection M 25 x 1.5 male thread, air inlet 1/4" (male thread), without grounding cable



All prices are recommended list prices. Errors, technical modifications and printing errors reserved.

Spare parts

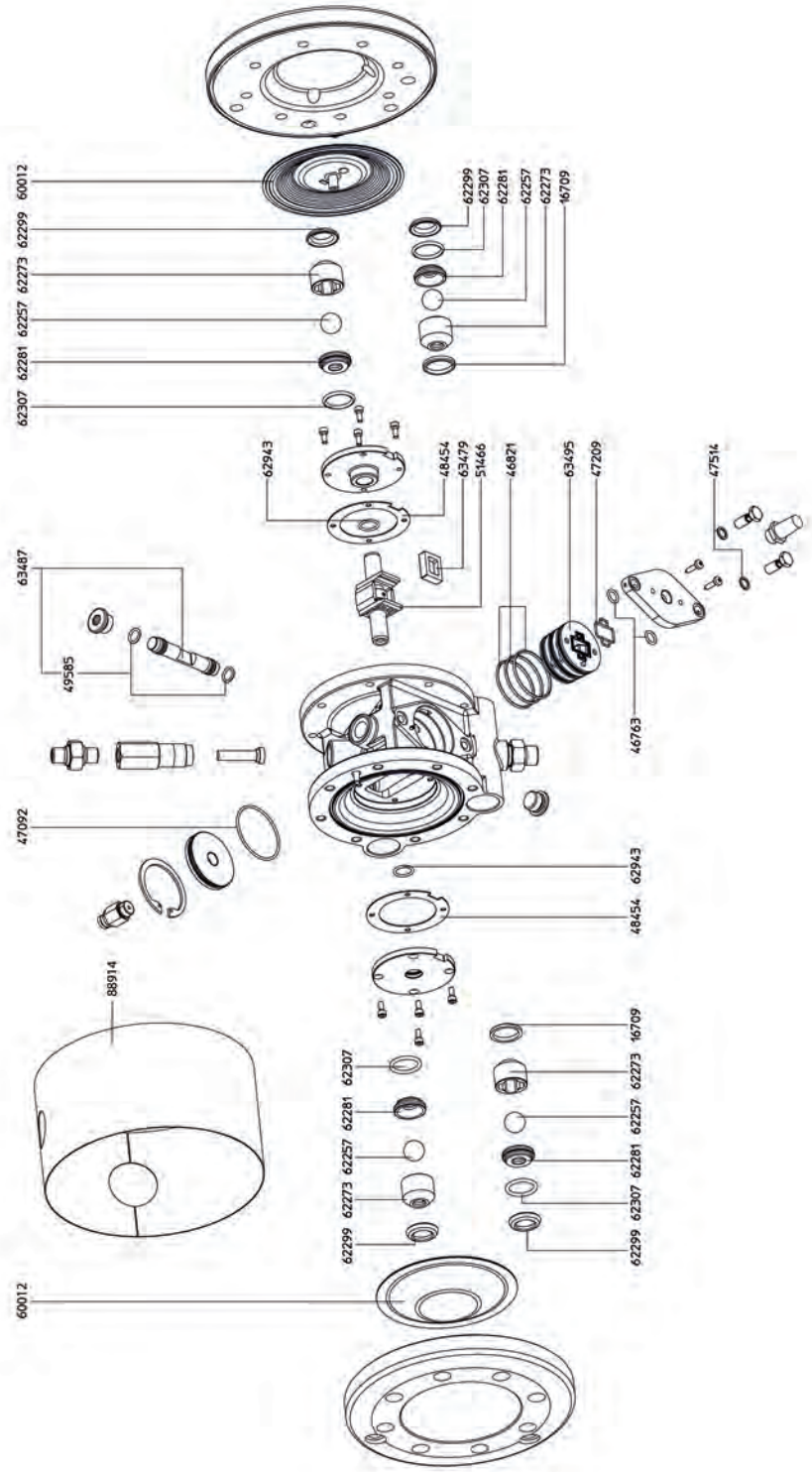
SATA vario top spray

45195
Sealing kit
60012
Repair kit diaphragm (packing unit 2 pieces)
60038
Repair kit control
60228
Repair kit valves
60301
Repair kit for carrier rod
60657
Repair kit carrier

Components of the seal and repair kits

SATA vario top spray

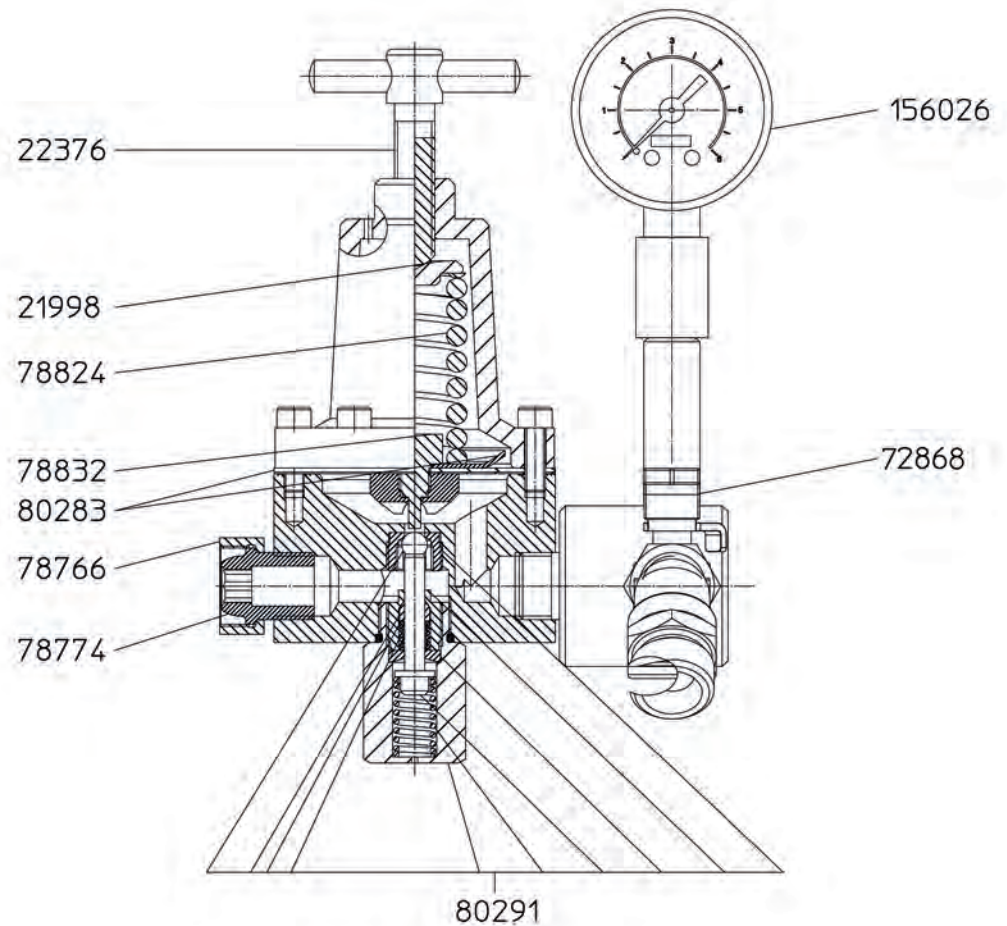
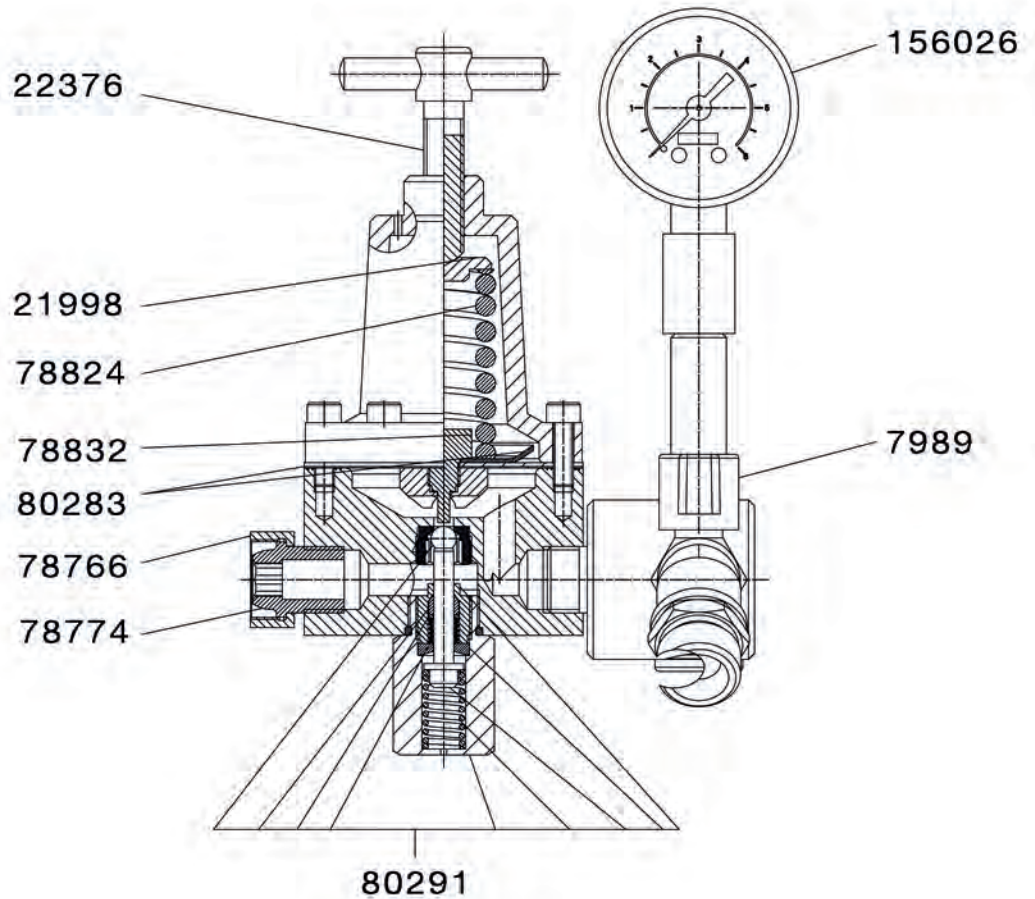
16709
Gasket
46763
O-ring
46821
O-ring
47092
O-ring
47209
Shape seal for double diaphragm pump Top-Spray
47514
Sealing ring
48454
Flat seal D 72 x T 1 for double diaphragm pump Top-Spray
49585
O-Ring 10 x 2 mm, made from Perbunan 70 shore for silencer SATA breathing mask (No. 80-4130)
51466
Driving pin for double diaphragm pump Top-Spray
62257
Ball
62273
Ball-bearing for Vario-Top-Spray double diaphragm pump
62281
Valve seat D12 short for Vario-Top- Spray double diaphragm pump
62299
Profile packing 17,2 x 28,2 x 5,4 for double diaphragm pump Vario-Top- Spray
62307
O-ring
62943
O-ring
63479
Flat valve 24 x 19 mm, for SATA Top- Spray double diaphragm pump
63487
Carrier rod D 13, 9L, for SATA Vario-Top-Spray double diaphragm pump, complete with O ring 10,82 x 1,78
63495
Valve seat D 48 mm for SATA Vario- Top-Spray double diaphragm pump



Spare parts

Material fine pres-
sure regulator

149740	Gasket for gravity container
149948	Flat sieve 20 mesh (packing unit 2 pieces)
156026	Pressure gauge 0 - 6 bar, 50 mm, G 1/4
21998	Pressure plate
22376	Compression screw
29918	Circlip for suction globe Spray-Mix, Vario-Top-Spray and Multi-Top
78766	Sleeve nut for ball valve
78774	Insert part for material fine pressure regulator SATA vario top spray
78824	Pressure spring for material fine pressure regulator SATA vario top spray
78832	Tappet for material fine pressure reducer Vario-Top-Spray
7989	Ball tap (Teflon) G 3/8" (female thread)
80283	Diaphragm
80291	Plunger kit, cpl.,



Grit blasting equipment / Blow Guns / Bodyshop equipment

Grit blasting equipment

38166

SATA grit blasting set SGE with trolley, with grit blasting gun with carbide pipe, mask, container, w/o grit material



39172

SATA sand blasting-set: sand blast. gun c/w carbide pipe, mask and gloves



17335

SATA grit blasting gun super version spraying pipe c/w carbide insert



Blow guns

15180

SATA blow gun with low noise metal nozzle and quick coupling nipple (blow gun)



77586

Special low noise nozzle for SATA blow gun 15180 (blow gun)

15214

SATA blow gun with multi nozzle and quick coupling nipple (blow gun)



26047

Metal-multi-nozzle M 14x1 for SATA blow gun 15214 (blow gun)

15156

SATA blow gun with standard nozzle (blow gun)



26070

Standard nozzle for SATA blow gun 15156 (blow gun)

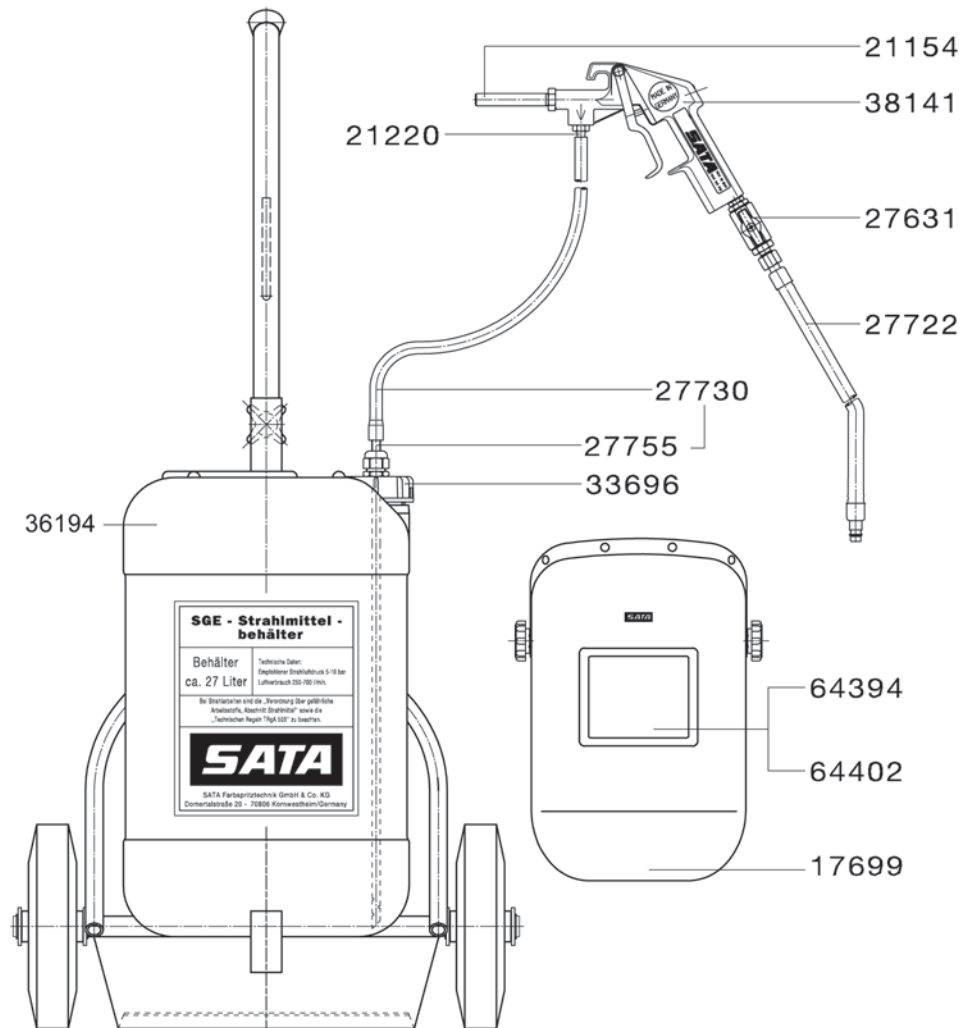
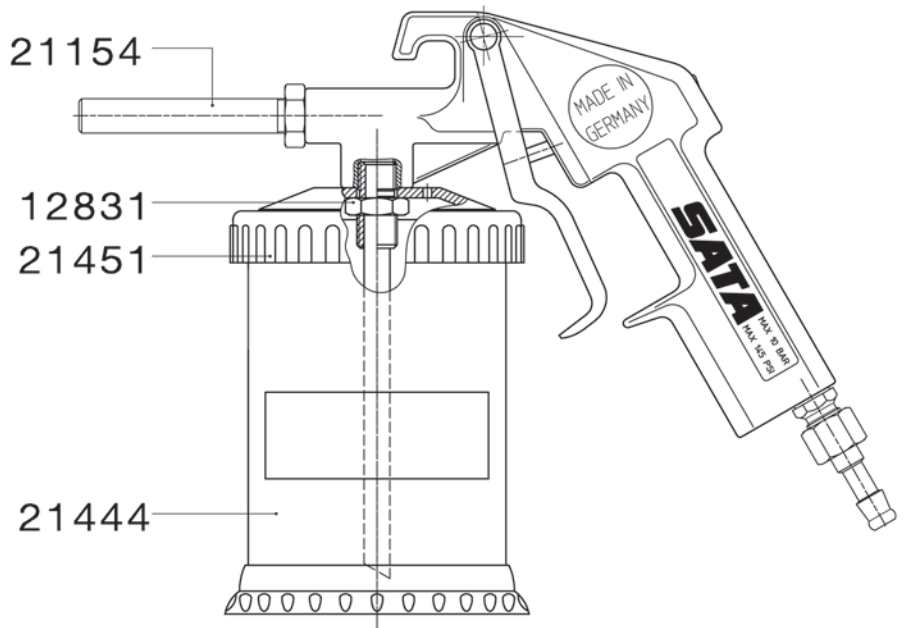
133306

SATA turbo blow with quick coupling nipple (blow gun)



Spare parts
Grit blasting equipment

12831
Hexagon nut M 14 x 1.5, galvanised
17699
SATA HMO head protection hood
21154
Blast pipe w. carbide insert f. SATA grit blasting gun
21220
Hose olive with 1/4" (male thread)
21444
0.6 l plastic suction cup without lid
21451
Lid for 0.6 l PVC suction cup
27631
Ball tap (Teflon) 1/4" (male thread) x G 1/4" (female thread)
27722
SGE Air hose 9 mm ID, length 10 m
27730
SGE paint hose 6 mm ID, length 5 m with ascension pipe
27755
Ascending pipe, only, for SGE set
33696
Lid, cpl.
36194
SGE container f. grit blasting material, empty
38141
SATA SGE gun with carbide spray pipe
64394
Plastic disc (5 pieces)
64402
Glass visor screen (5 pieces)



Rustproofing equipment

SATA HRS

24018

SATA HRS complete with nylon wand 16105 and hook wand 24372



9795

SATA HRS pressurised cup gun with 1.0 l cup (max. 10 bar), without material flow control, flexible nylon and hook wand (16113 and 16139) as well as fix door wand (16071)

12658

SATA HRS pressurised cup gun with 1.0 l cup (max. 10 bar), material flow control, without wands

11072

SATA HRS pressurised cup gun with 1.0 l cup (max. 10 bar), without material flow control, without wands

SATA HRS E

172882

SATA HRS-E pressurised cup spray gun with 1.5 l cup (max. 10 bar), for cavity preservation and underbody protection from disposable containers, with material flow control, round spray nozzle 25486, hook wand 16139 and nylon wand 11874



207290

SATA HRS E pressurised cup spray gun with 1.5 l cup (max. 10 bar) for cavity preservation and underbody protection from disposable containers, with material flow control, hook wand 16139 and nylon wand 16113 as well as round spray nozzle

77347

SATA HRS-E with 1.5 l pressurized cup (max. 10 bar), with material flow control, without wands

Door wand

16071

Door wand, steel 1100 mm long, Ø 8 mm, with rotary nozzle 360° and spraying forward

196832

Door wand, steel 150 mm work length, Ø 8 mm, with rotary nozzle 360° rotary fan and spraying forward, with flexible guideway hose 1000 mm

nylon wand

1058826

Nylon wand, flexible 3000 mm long, Ø 8 mm, with rotary nozzle 360° and spraying forward

11874

Nylon wand, flexible, 1500 mm long, Ø 6 mm, with rotary nozzle 360°, diagonally spraying forward and backward

16105

Nylon wand, flexible, 1500 mm long, Ø 6 mm, with rotary nozzle 360°

16113

Nylon wand, flexible, 1300 mm long, Ø 8 mm, with rotary nozzle 360° rotary fan and spraying forward

51185

Nylon wand, semi rigid 1500 mm long, Ø 6 mm, with rotary spray nozzle 360° and spraying diagonal forward and backward

Hook wand

11866

Venturi hook wand Ø 5 mm, with flexible guide hose, Venturi spray tube for cavity and surface application



16139

Venturi hook wand, Ø 7 mm, with flexible guiding hose, Venturi spray tube for cavity and surface application

206904

Venturi hook wand Ø 5 mm, hook nozzle cpl. in 300 mm length, with flexible guide hose, Venturi spray tube, for cavity and surface application

24372

Hook wand Ø 5mm, with flexible guide hose, hook flat nozzle, for cavity and surface application

Round spray nozzle

198762

Round spray nozzle for surface application with flexible guide hose for underbody protection

25486

Round spray nozzle for HRS, conn. I

coupling and connection

16048

SATA quick coupling nipple 1/4" (male thread) for wands

8359

Free passage type quick coupling for HKD1, LM/KK, HRS , connection I

Barrel pump unit for cavity preservation

14555

SATA HKU 60 l barrel pump unit cpl., consisting of piston pump 1:3, with hose pair 10 m, SATAjet 1000 KK spray gun, nylon, door and hook wand



34389

SATA HKU 200 l barrel pump unit, cpl., consisting of piston pump 1:3 with hose pair 10 m, SATAjet 1000 KK spray gun, nylon, door and hook wand

153700

SATAjet 1000 KK RP nozzle 1.5 with paint tube, 1/4" (male thread) with coupling (Art.-No. 8359)



Underbody protection

12740

SATA UBE gun type I, for underbody coating with one-way cans

Barrel pump unit for underbody protection

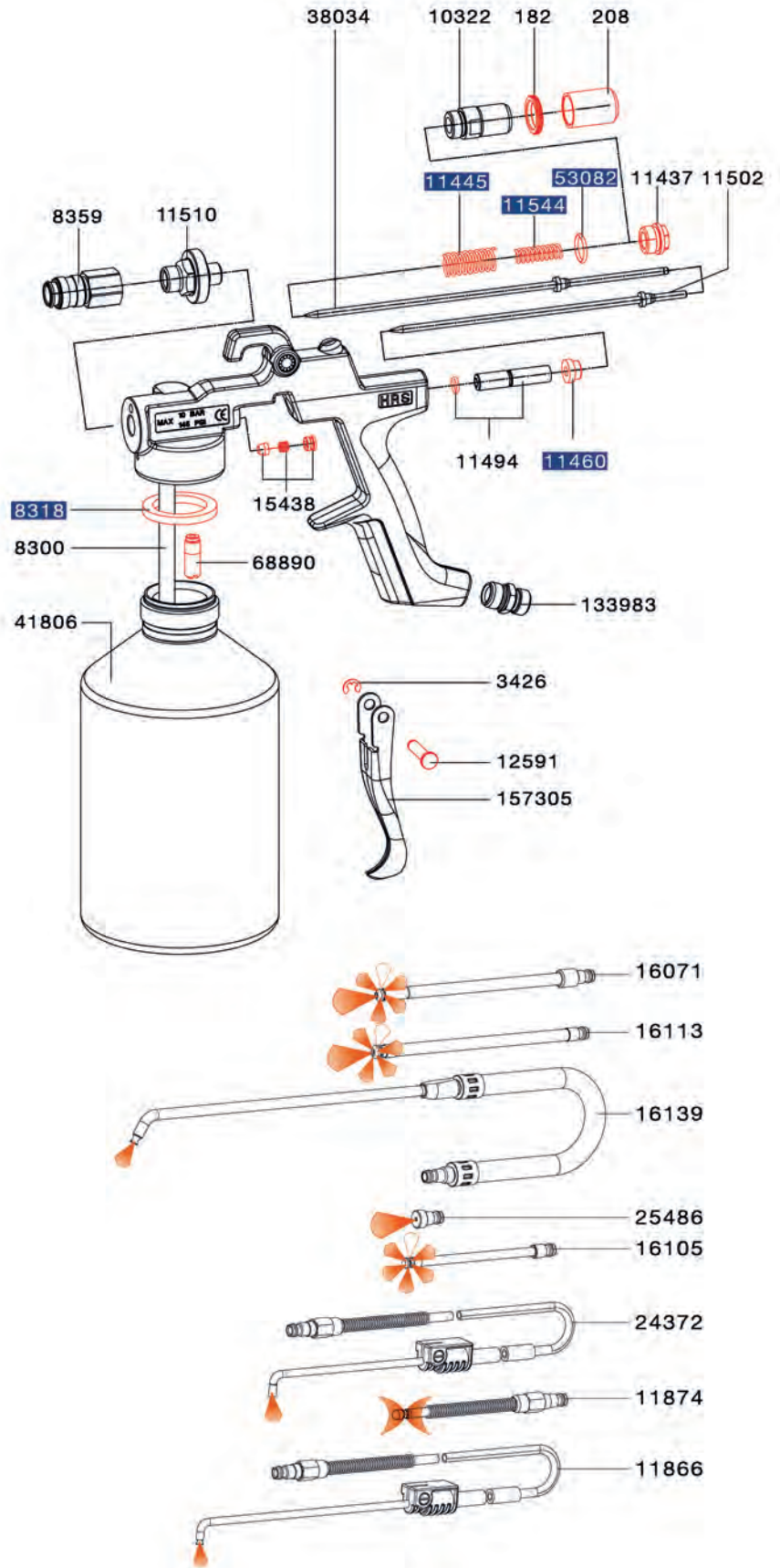
128561

SATA spray mix underbody protection system 1:22, hose pair 10 m, SATAjet 3000 K spray mix gun nozzle 3350, for 60/200 ltr. barrel

SPRAY GUNS CUP SYSTEMS BREATHING PROTECTION FILTER TECHNOLOGY ADDITIONAL PRODUCTS MERCHANDISING ITEMS

Spare parts
SATA HRS

10322
Guide sleeve complete, for HRS with material flow control
11437
Closing screw
11445
Pressure spring for air piston
11460
Air piston
11494
Cam rod HRS, complete with O-ring
11502
Paint needle 1.5
11510
Mixing cap HRS, completely machined
11544
Pressure spring for paint needle
12591
Bracket bolt
133983
Air connection piece 1/4" male thread
15438
Paint needle packing
157305
Trigger
182
Counter nut
208
Material flow control nut
3426
Safety washer 4 mm DIN 6799 stainless steel for trigger
38034
Paint needle, cpl., for HRS, with needle stroke and minimum passage control
41806
1.0 l aluminium pressure pot, max. pressure 10 bar/150 psi, cpl. with threaded ring
53082
O-ring
68890
Inflow valve
8300
Suction pipe
8318
Sealing ring
8359
Free passage type quick coupling for HKD1, LM/KK, HRS ,connection I



Repair kit

- 9779
Repair kit SATA HRS until 2009

- 161158
Repair kit SATA HRS as of 2010

- 35204
Wear-and-tear parts kit for HRS





Repressurized cup
High pressure
©
05.2017
Warning: Do not use and
do not use on hot surfaces
Do not use on
Do not use on
Do not use on

SATA clean RCS

Technical Data	SATA clean RCS
Width	31 cm
Height	70,5 cm
Depth	22,5 cm
Weight	10 kg
Max. inlet air pressure	8,0 bar
Air consumption	135 NI/min
Air connection thread	1/2" (male thread) + G 1/4" (female thread)
Place of installation	inside the spray booth



SATA clean RCS

145581

SATA clean RCS - the turbo cleaner

Recommended connection accessories (depending on the installation method)

10934

Ball tap (Teflon) 1/2" male thread for air inlet SATA filter series 100, 300, 400, 500 and cleaning devices



13581

SATA quick coupling G 3/8" (female thread)



13623

SATA quick coupling 1/4" (male thread)



13870

SATA air hose, blue, 9mm, 1.2 m with quick coupling, red and nipple



146514

SATA air hose, blue, 13 mm, 0.5 m, G 1/2" (female thread), one connection included for SATA clean RCS



192633

Add-on kit: Suction hose for solvent vapours for SATA clean RCS compact / micro



53090

SATA air hose, blue, 9mm, 10 m with quick coupling, red and nipple



Other accessories/spare parts

146985

Repair kit SATA clean RCS / compact / micro



146993

Splash guard with fixing rivet (each 5 pieces) for SATA clean RCS / compact / micro

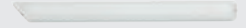


Other accessories/spare parts

147082
Grounding cable, 3 m, 4 mm²



153965
Hose, transparent, 8 x 1, 95 mm, for spray guns with adapter (packing unit 2 pieces) for SATA RCS cleaning devices



189472
Conversion kit external cleaning agent - suction and recirculation for SATA clean RCS / compact / micro



192195
SATA universal spray gun and hose holder for all SATA spray guns



53942
Nipple G 1/4 f. GS respirator, UBE + blow-off gun, size 14



6981
SATA quick coupling nipple G 1/4" (female thread) (packing unit 5 pieces)

9886
SATA gravity gun holder for gravity cup spray guns



SATA clean RCS

Technical Data	SATA clean RCS
Width	31 cm; 18,5 cm
Height	46,5 cm
Depth	22,5 cm; 20,5 cm
Weight	7 kg; 4 kg
Max. inlet air pressure	4,0 bar
Air consumption	135 NI/min
Air connection thread	1/4" (male thread)
Place of installation	outside the spray booth



Available versions

192518	SATA clean RCS compact
202564	SATA clean RCS micro

Recommended connection accessories (depending on the installation method)

13870
SATA air hose, blue, 9mm, 1.2 m with quick coupling, red and nipple



192633
Add-on kit: Suction hose for solvent vapours for SATA clean RCS compact / micro



53090
SATA air hose, blue, 9mm, 10 m with quick coupling, red and nipple



Other accessories/spare parts

146985
Repair kit SATA clean RCS / compact / micro



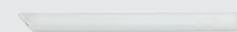
146993
Splash guard with fixing rivet (each 5 pieces) for SATA clean RCS / compact / micro



147082
Grounding cable, 3 m, 4 mm²



153965
Hose, transparent, 8 x 1, 95 mm, for spray guns with adapter (packing unit 2 pieces) for SATA RCS cleaning devices



189472
Conversion kit external cleaning agent - suction and recirculation for SATA clean RCS / compact / micro



6981
SATA quick coupling nipple G 1/4" (female thread) (packing unit 5 pieces)

SATA multi clean 2

Technical Data	SATA multi clean 2
Width	66 cm
Height	100 cm
Depth	38 cm
Weight	30 kg
Max. inlet air pressure	6,0 bar
Air consumption	270 NI/min
Air connection thread	G 1/4" (female thread)
Place of installation	outside the spray booth



SATA multi clean 2

38257

SATA multi clean 2 spray gun washing machine with exhaust, 2 fluid containers, trolley, spare filter mat, quick coupling nipple for air connection

Spare parts and accessories

21188

Pressure reducer with gauge 0 - 10 bar for SATA multi-clean 2

26815

Flexible aluminium tube, 5 m long, complete with two tube fittings, for suction unit SATA multi-clean-2

38042

Filter mat for SATA multi clean 2

40840

Cup lid holding for SATA multi clean 2

40907

Spring clasp (packing unit 3 pieces) for SATA multi clean 2

48330

Blow cycle knob with valve, cpl. for SATA multi clean 2

49072

Cleaning agent container with lid for SATA multi clean 2

SATA trueSun

Technical Data	SATA trueSun
Net weight	0,47 kg
CRI value	97
Light Intensity	22000 lx
Operating time	70 min
Charging cycle	50 min



Available versions

1006411
SATA trueSun, incl. battery charger and battery, EU



1013094
Storage Case SATA trueSun, incl. foam inlay



1013151
Foam inlay with pinched inlay for storage case SATA trueSun

1007154
Battery charger EU for SATA trueSun



Spare parts**SATA trueSun**

1010082

Battery

1012096

Shock protection

1012137

Protective glass If protective foil is on the glass, please
remove before using!



SATA dry jet 2

Technical Data	SATA dry jet 2
Weight	0,432 kg
Air consumption	270 NI/min
Recommended air inlet pressure	2,5 bar
Max. operating pressure	10,0 bar



Available versions

217489
SATA dry jet 2 blow gun



SATA dry jet stand (adjustable height: 30 - 190 cm)

223008
SATA dry jet 2 stand with height-adjustable bracket, 2 blow guns

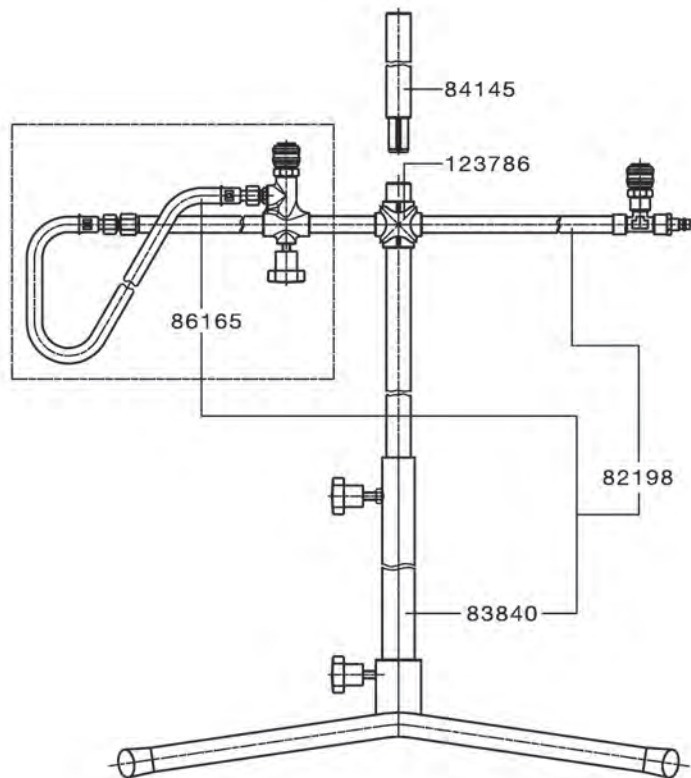


84145
Height extension approx. 120 cm, stainless steel for SATA dry jet stand

Spare parts

SATA dry jet 2

1024257
Spare flat sieve 200 µm, pastel green (packing unit 10 pieces)
123786
Cross piece, cpl. for dry-jet 2
222232
Filter holder
223834
Flat fan nozzle
82198
Stand for SATA dry jet without blow guns
83840
Stand, complete, for Vario-Top-Spray and dry-jet, can be disassembled
84145
Height extension approx. 120 cm, stainless steel
86165
Conversion kit for SATA dry jet, adjustable version



SATA hoses

Breathing air hoses, mounted

49080	SATA Safety compressed air supply hose Ø 10 mm, 6 m long, for SATA breathing protection systems
176792	SATA safety compressed air supply hose Ø 10mm, 10 m long for SATA breathing protection systems
180851	SATA safety compressed air supply hose Ø 10mm, 40 m long for SATA breathing protection systems

Air hoses, mounted

37655	SATA air hose, blue, 9 mm, 6 m with quick coupling, red and nipple
195420	SATA air hose, blue, 9 mm, 7.5 m with quick coupling, red and nipple
53090	SATA air hose, blue, 9mm, 10 m with quick coupling, red and nipple
189068	SATA air hose, blue, 9 mm, 15 m with quick coupling, red and nipple
9902	SATA air hose, blue, 9 mm, 10 m long, G 1/4" (female thread)
51300	SATA air hose, blue, 13 mm, 10 m long, G 1/2" (female thread) for SATA vario top spray and FDG with 2. spray gun outlet
4754	SATA air hose, blue, 6 mm, 10 m long with quick coupling and nipple
13870	SATA air hose, blue, 9mm, 1.2 m with quick coupling, red and nipple
54353	SATA PVC air hose, transparent, 2 m long with mini quick coupling, nipple with G 1/4" (female thread) and quick coupling nipple for SATAminijet 4400 B, minijet 3000 B and jet 20 B
32987	SATA PVC compressed air hose, transparent, 3 m long with G 1/4" (female thread), mini quick coupling and nipple for SATAjet 20 B
134791	SATA Fibre air hose, 2.5 m long with G 1/4" (female thread), mini quick coupling for SATAgraph 1 / 2 / 3 (jet 20 B)

Hose pairs for SATA paint pressure tanks and SATA vario top spray

147520	SATA hose pair 9 x 9 mm, 6 m, with covering fabric netting, G 3/8" and G 1/2" (material), G 1/4" (air) (female thread) for SATA FDG and vario top spray
147512	SATA hose pair 9 x 9 mm, 10 m, with covering fabric netting, G 3/8" and G 1/2" (material), G 1/4" (air) (female thread) for SATA FDG and vario top spray
147504	SATA hose pair 9 x 9 mm, 15 m, with covering fabric netting, G 3/8" and G 1/2" (material), G 1/4" (air) (female thread) for SATA FDG and vario top spray
19869	SATA hose pair 9 x 9 mm, 1.5 m, G 3/8" and G 1/4" (material), G 1/4" (air) (female thread) for SATA mini set 2
77834	SATA hose pair 9x9mm, 6m, with covering fabric netting, G3/8" and G1/2" (mat., stainless steel), G1/4" (air) (female) SATA FDG + vario top spray
77842	SATA hose pair 9x9mm, 10m, with covering fabric netting, G 3/8" and G 1/2" (mat., stainless steel), G 1/4" (air) (female) SATA FDG+vario top spray
77859	SATA hose pair 9x9mm, 15m, with covering fabric netting, G 3/8" and G 1/2" (material, stainless steel), G 1/4" (air) SATA FDG and vario top spray
160994	Protective Sleeve for hose pair individual 6m
161000	Protective Sleeve for hose pair individual 10m
161018	Protective Sleeve for hose pair individual 15m
7047	Hose clips (10 pieces) for air hose and material hoses, 9 mm

Hose pairs for SATA material pressure tanks and SATAminijet 1000 K

187708	SATA hose pair 6 x 6 mm, 3 m, G 1/4" (female thread) (material and air) for SATA mini set 2
187716	SATA hose pair 6 x 6 mm, 6 m, G 1/4" and G 1/2" (material), G 1/4" (air) (female thread) for SATA FDG / SATA vario top spray
187724	SATA hose pair 6 x 6 mm, 10 m, G 1/4" and G 1/2" (material), G 1/4" (air) (female thread) for SATA FDG / SATA vario top spray
187732	SATA hose pair 6 x 6 mm, 15 m, G 1/4" and G 1/2" (material), G 1/4" (air) (female thread) for SATA FDG / SATA vario top spray

Hose pairs and duo hoses for SATA spray mix units

19984	SATA spray mix hose pair, 6 x 4 mm, 5 m, G 1/4" (female thread) (material and air)
19992	SATA spray mix hose pair, 6 x 4 mm, 10 m, G 1/4" (female thread) (material and air)
20008	SATA spray mix hose pair, 6 x 4 mm, 15 m, G 1/4" (female thread) (material and air)
1006099	SATA spray mix hose pair, 6 x 4 mm, 15 m long, material connection M16x1.5 (female thread), air connection G 1/4" (female thread)
1006081	SATA spray mix hose pair, 6 x 4 mm, 10 m long, material connection M16x1.5 (female thread), air connection G 1/4" (female thread)
1006106	SATA spray mix hose pair, 6 x 4 mm, 5 m long, material connection M16x1.5 (female thread), air connection G 1/4" (female thread)
97022	SATA spray mix hose pair with covering fabric netting, 6 x 6 mm, 7.5 m, G 1/4" (female thread) (material and air)
97030	SATA spray mix hose pair with covering fabric netting, 6 x 6 mm, 15 m, G 1/4" (female thread) (material and air)

Air hoses, unassembled

50252	SATA air hose, blue, 9 mm, 6 m
50591	SATA air hose, blue, 9 mm, 10 m
50641	SATA air hose, blue, 9 mm, 15 m

Material hoses, unassembled

49155	SATA material hose, green 9 mm, 6 m
49999	SATA material hose, green, 9 mm, 10 m
50161	SATA material hose, green, 9 mm, 15 m

Components for the quick coupling system

13508	Nipple 3/8" (male thread) for SATA quick coupling
13516	Nipple G 3/8" (female thread) for SATA quick coupling
13524	Nipple 1/8" (male thread) for SATA quick coupling
13557	Hose olive 9 mm for air quick coupling
13565	Connection piece 103/6 f. SATA quick coupling 103/6 f. 6 mm inside dia.
13581	SATA quick coupling G 3/8" (female thread)
13599	SATA quick coupling G 1/4" (female thread)
13607	SATA quick coupling G 3/8" (male thread)
13615	SATA quick coupling 1/2" (male thread)
13623	SATA quick coupling 1/4" (male thread)
13631	SATA quick coupling, red, with hose olive 9 mm
13649	SATA quick coupling with hose olive 6 mm
53942	Nipple G 1/4 f. GS respirator, UBE + blow-off gun, size 14
6981	SATA quick coupling nipple G 1/4" (female thread) (packing unit 5 pieces)
7237	SATA quick coupling, red with hose olive 9mm and quick coupling nipple G 1/4" (female thread) (each 2 pieces)

Paint suits

SATA suit race

184267

SATA suit race, size S (42/44), 98% Polyester, 2% Carbon



184275

SATA suit race, size M (46/48), 98% Polyester, 2% Carbon

184283

SATA suit race, size L (50/52), 98% Polyester, 2% Carbon

184291

SATA suit race, size XL (54/56), 98% Polyester, 2% Carbon

184309

SATA suit race, size XXL (58/60), 98% Polyester, 2% Carbon

SATA suit space

212035

SATA suit space, size S (42/44)



212043

SATA suit space, size M (46/48)

212050

SATA suit space, size L (50/52)

212068

SATA suit space, size XL (54/56)

212076

SATA suit space, size XXL (58/60)

SATA suit grey

221416

SATA suit grey, size M (48/50), 100% polyester



143255

SATA suit grey, size L (50/52), 100% polyester

5470

SATA suit grey, size XL (54/56), 100% polyester

221440

SATA suit grey, size XXL (58/60), 100% polyester

SATA suit white

221432

SATA suit white, size M (46/48), 100% polyester



129460

SATA suit white, size L (50/52), 100% polyester

129445

SATA suit white, size XL (54/56), 100% polyester

221424

SATA suit white, size XXL (58/60), 100% polyester

PREMIUM SPRAY GUNS

SATA



Merchandising items

Merchandising items

235481
SATA gym bag, anthracite



235416
SATA luggage compartment bag, black



235440
SATA travel makeup bag



235507
SATA backpack, black



235465
SATA magnetic car mount for Smartphones



235390
SATA 2-in-1 key ring cable with charging and data transfer function



235432
SATA Powerbank incl. micro-USB-cabel and battery



Merchandising items

235473

SATA cleaner (mousepad, display and lens)



234849

SATA Zippo lighter with PHASER motif



99168

Jumbo cup, made of porcelain, 0,40 l, with engraved white logo on the outside, dimensions: Ø approx. 9 cm



235499

SATA RPS cup, China white, 340 ml



233197

Key ring SATAjet 5000 B PHASER



1063734

Key ring SATAjet X 5500, umbra colour



184366

SATA T-shirt, black, size S, 100% cotton



184374

SATA T-Shirt, black, size M, 100% cotton

184382

SATA T-Shirt, black, size L, 100% cotton

184390

SATA T-Shirt, black, size XL, 100% cotton

184408

SATA T-Shirt, black, size XXL, 100% cotton

Merchandising items

184317
SATA Polo, black, size: S, 100% cotton



184325
SATA Polo, black, size: M, 100% cotton

184333
SATA Polo, black, size: L, 100% cotton

184341
SATA Polo, black, size: XL, 100% cotton

184358
SATA Polo, black, size: XXL, 100% cotton

184259
SATA Cap, colour: black with lateral red 3D contrast stripe





SATA

SATA GmbH & Co. KG
Domertalstraße 20
70806 Kornwestheim
Germany
Tel. +49 7154 811-200
Fax +49 7154 811-196
E-Mail: export@sata.com
www.sata.com